

4

3

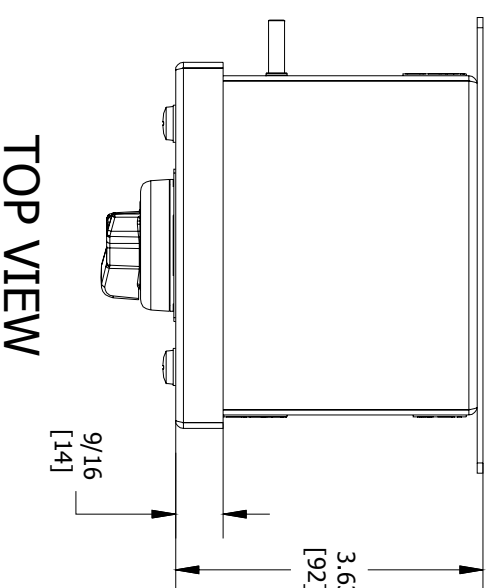
2

1

ENCLOSURE INFORMATION	
P/N:	DESCRIPTION:
23830CBAM	BOX SST 1F 1ø, 3/4 NPT BOTTOM
COVER:	COVER SST 1F 1ø, SINGLE DEVICE
23803ABAB	NEMA A600/P600 - PILOT DUTY
MOUNT METHOD:	HKH PANEL MOUNT BRACKET, C. B. & P. L. (1 PL.)
HKHPMBRKT	AC690V 16A AC-12
	AC230V 16A AC-15
	50-60HZ
	DC60V 5A DC-13
	TERMINALS RATED FOR 1-2 CONDUCTORS
	#22-10 AWG. (0.5-4mm ²)

CONTACT BLOCK RATINGS:
 690 VAC, 20A, 50-60
 60 VDC, 5A, 110VDC, 1.5A

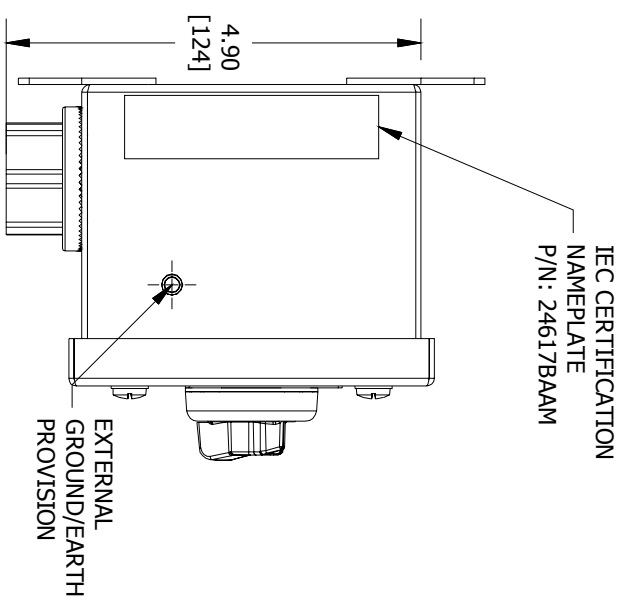
1/2 HP @ 120 VAC, 1 HP @ 208/240/277VAC
 NEMA A600/P600 - PILOT DUTY
 350VAC, 20A - TUNGSSTEN
 AC690V 16A AC-12
 AC230V 16A AC-15
 50-60HZ
 DC60V 5A DC-13
 TERMINALS RATED FOR 1-2 CONDUCTORS
 #22-10 AWG. (0.5-4mm²)



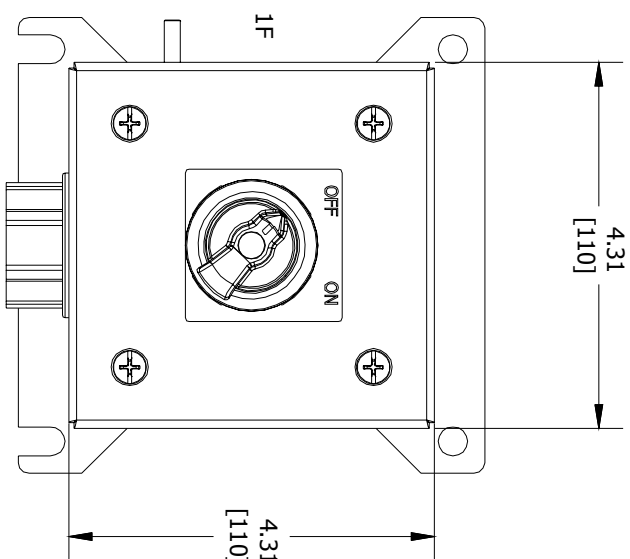
TOP VIEW

CERTIFICATION NAME PLATES

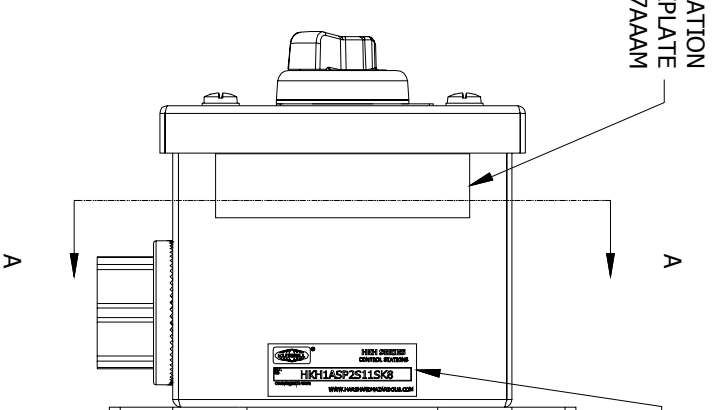
 Harsh & Hazardous www.harshtandhazardous.com	CAT. NO. HKHMOD Series DATE CODE: S/N
	SEE IOM FORM K1466 & K1470 FOR T-CODES AND FOR ELECTRICAL RATINGS.
IEC CERTIFICATION NAMEPLATE P/N: 24617BAAM	UL CERTIFICATION NAMEPLATE P/N: 24617AAAM
MANUFACTURER NAMEPLATE P/N: 24781AAAM	MANUFACTURER NAMEPLATE P/N: 24781AAAM
INTERNAL GROUND/EARTH PROVISION	INTERNAL GROUND/EARTH PROVISION



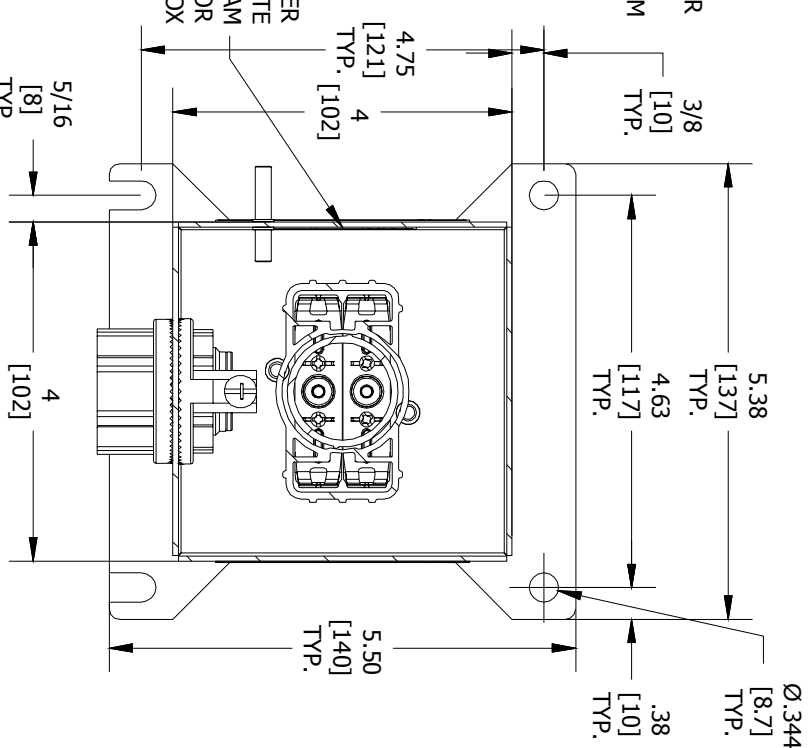
LEFT SIDE VIEW



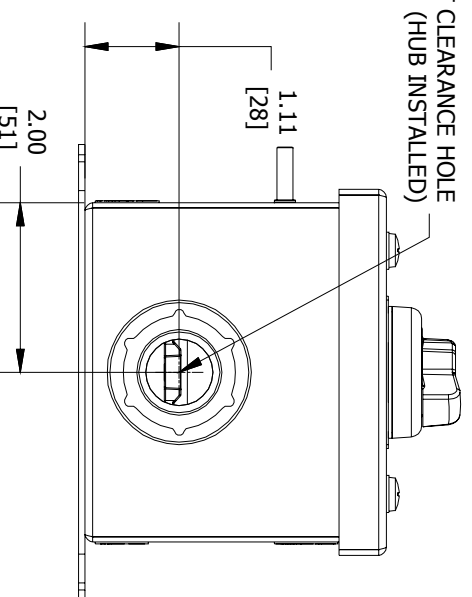
FRONT VIEW



RIGHT SIDE VIEW



SECTION A-A VIEW



BOTTOM VIEW

COMMENT:

SGN:

DATE:

ACCEPTANCE:

DRAWN BY:

DATE:

DWG NUMBER:

HUB/GLAND:

ITEM:

CODE 1: APPROVED (NO COMMENTS)
 CODE 2: APPROVED FOR MANUFACTURING WITH COMMENTS TO BE INCORPORATED
 CODE 3: NOT APPROVED RE-SUBMIT
 CODE 4: FOR INFORMATION ONLY

PR

09-28-2016

SALES/QUOTE NO.:

N/A

N/A

HKH SERIES
CONTROL STATIONS

CONTROL NO. **HKH1ASP2S11SK8**

COUNT/DATE CODE

WWW.HARSHANDHAZARDOUS.COM

MFG. NAME PLATE (REF.)

4

3

2

1

REVISION	DATE	BY	DESCRIPTION
A	09-28-2016	PR	HKH MODIFIED ENCLOSURE (HKH1ASP2S11SK8)

ENTRY HUB/GLAND SELECTION CHART*

ENTRY NO.	HUB/GLAND:
ENTRY 1	K8: WH-2SSG

*HUBS & CABLE GLANDS ARE SHIPPED WITH ENCLOSURE

A

B

C

D

A

B

C

D