

4

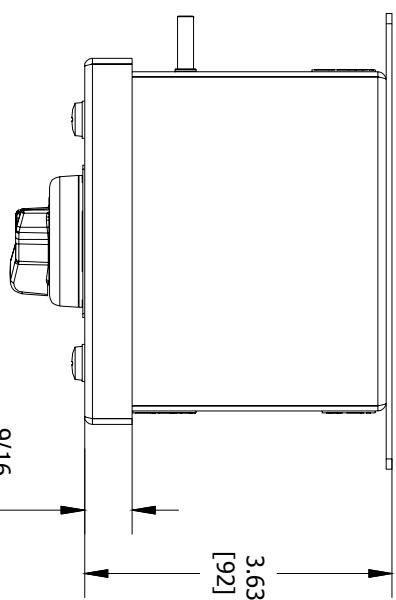
3

2

1

ENCLOSURE INFORMATION	
P/N:	DESCRIPTION:
23830CBAM	BOX SST 1F 1a, 3/4 NPT BOTTOM
COVER:	COVER SST 1F 1a, SINGLE DEVICE
23803ABAB	NEMA A600/P600 - PILOT DUTY
MOUNT METHOD:	HKH PANEL MOUNT BRACKET, C. B. & P. L. (1 PL.)
HKHPMBKT	AC690V 16A AC-12
	AC230V 16A AC-15
	50-60HZ
	DC60V 5A DC-13
	TERMINALS RATED FOR 1-2 CONDUCTORS
	#22-10 AWG. (0.5-4mm <sup>2</sup> )

CONTACT BLOCK RATINGS:  
 690 VAC, 20A, 50-60  
 60 VDC, 5A, 110VDC, 1.5A

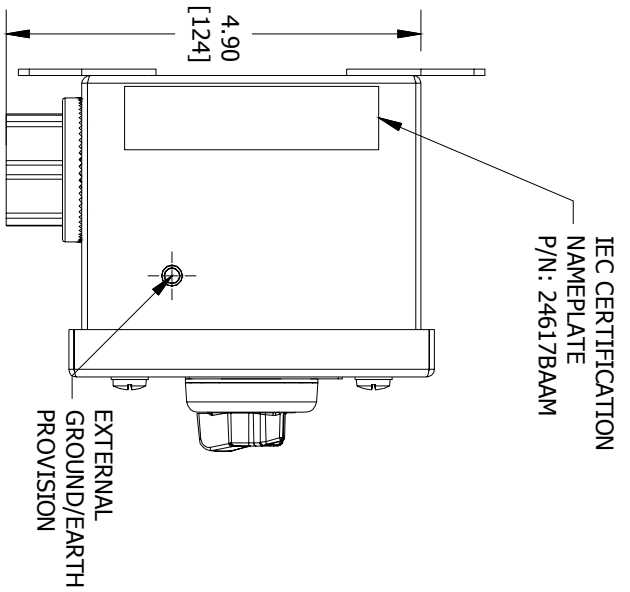


TOP VIEW

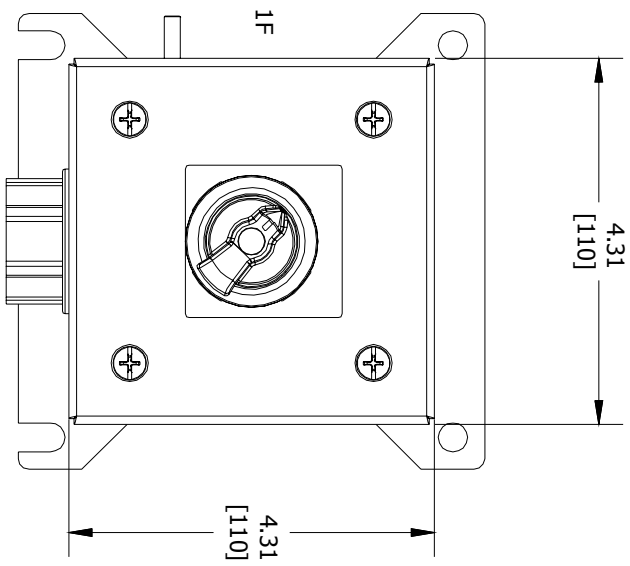
 Harsh & Hazardous WWW.HARSHANDHAZARDOUS.COM	<b>CAT. NO.</b> <b>HKHMOD Series</b>	DATE CODE: S/N ST. LOUIS, MO 63113
	SEE IOM FORM K1466 & K1470 FOR 1-CODES AND FOR ELECTRICAL RATINGS.	 ST. LOUIS, MO 63113

INDUSTRIAL CONTROL EQUIPMENT FOR USE IN ZONE CLASSIFIED HAZ. LOCs.  
 CLASS I, ZONE 1, AEx de IIC T6...T4 Gb; Ex de IIC T6...T4 Gb  
 ZONE 21, AEx tb IIC T85°C...T135°C Db IP66; Ex tb IIC T85°C...T135°C Db IP66  
 CLASS I, DIV.2, GRPs. A,B,C,D; CLASS II, DIV.1, GRPs. E,F,G (CANADA ONLY)  
 CLASS II, DIV.2, GROUPS E,F,G; CLASS III  
 CLASS III, TYPE 3/4/4X/12/13, -50°C STAs+60°C  
 SEE IOM FORM K1466 FOR ELECTRICAL RATINGS.

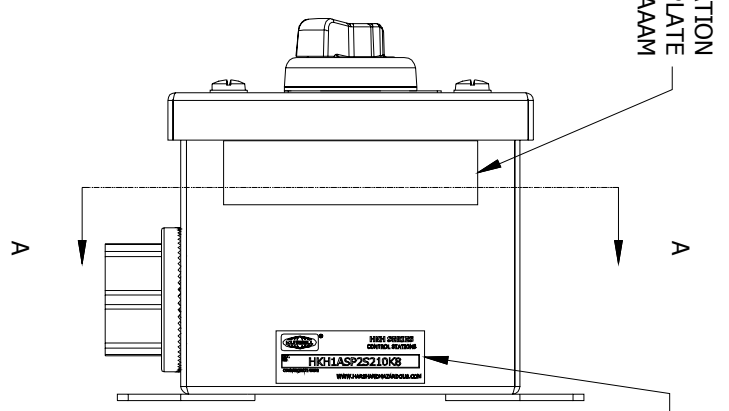
CERTIFICATION NAME PLATES



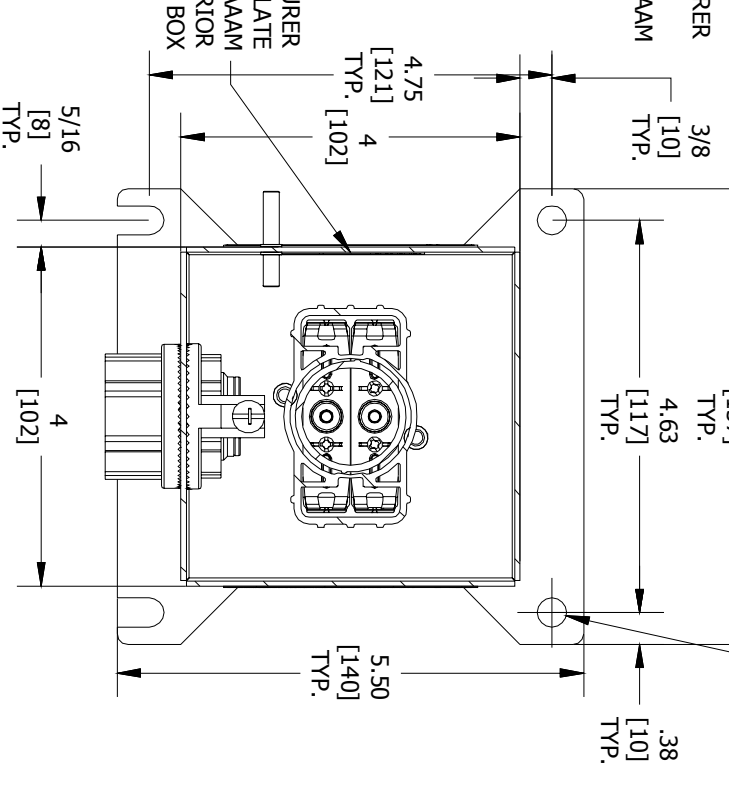
LEFT SIDE VIEW



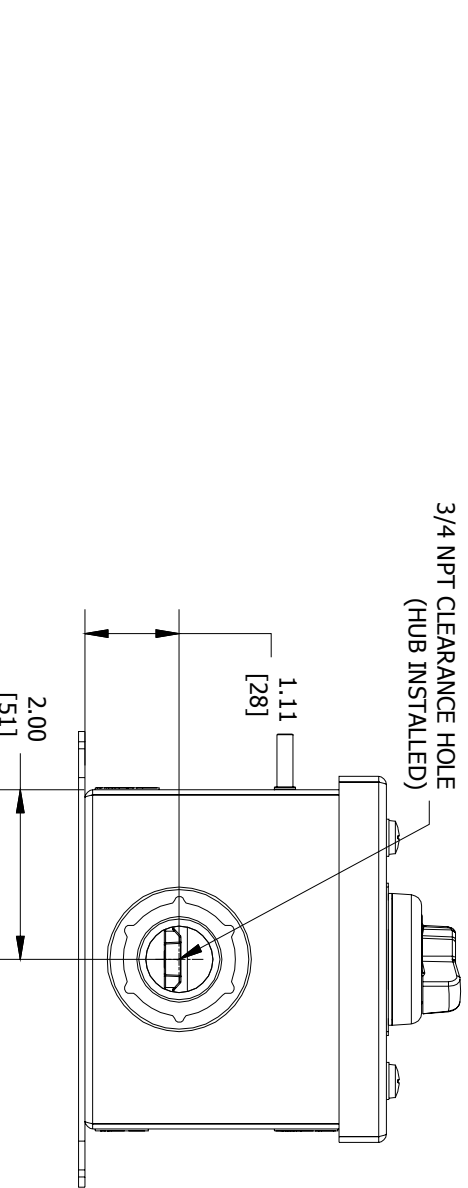
FRONT VIEW



RIGHT SIDE VIEW



SECTION A-A VIEW



BOTTOM VIEW

ENTRY HUB/GLAND SELECTION CHART\*

ENTRY NO.	HUB/GLAND:
ENTRY 1	K8: WH-2SSG

\*HUBS & CABLE GLANDS ARE SHIPPED WITH ENCLOSURE

COMMENT:

SGN:

DATE:

ACCEPTANCE:

DRAWN BY:

DATE:

DWG NUMBER:

HUB/GLAND:

ITEM:

CODE 1: APPROVED (NO COMMENTS)

CODE 2: APPROVED FOR MANUFACTURING

CODE 3: NOT APPROVED RE-SUBMIT

CODE 4: FOR INFORMATION ONLY

PR

09-28-2016

SALES/QUOTE NO.:

N/A

N/A

REVISION

REVISION

REVISION

REVISION

REVISION

REVISION

REVISION

REVISION

REVISION

HKH SERIES  
CONTROL STATIONS

CAT. NO. **HKH1ASP2S210K8**

COUNTY/DATE CODE

WWW.HARSHANDHAZARDOUS.COM

MFG. NAME PLATE (REF.)

4

3

2

1

REVISION

REVISION

REVISION

REVISION

REVISION

REVISION

REVISION

REVISION

REVISION

REVISION

SHEET 1 OF 1