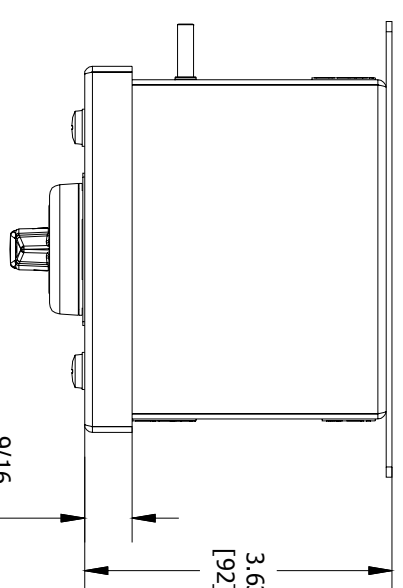


ENCLOSURE INFORMATION	
P/N:	DESCRIPTION:
23830CBAM	BOX SST 1F 1a, 3/4 NPT BOTTOM
23803ABAB	COVER SST 1F 1a, SINGLE DEVICE
HKHPRBKRT	HKH PANEL MOUNT BRACKET, C. B. & P. L. (1 PL.)
MOUNT METHOD:	
DEVICE 1 ASSEMBLY (1F)	
P/N:	DESCRIPTION:
HKH2P5MTV	3 POS SEL SWT MOM LTRT, MAINT CTR, VERT
23225AAB	Blank
LOCKOUT ACQY:	N/A
CONTACT 1:	CONTACT BLCK, FACT SEALED N.O. PM, 20A
CONTACT 2:	CONTACT BLCK, FACT SEALED N.O. PM, 20A

CONTACT BLOCK RATINGS:
690 VAC, 20A, 50-60
60 VDC, 5A, 110VDC, 1.5A

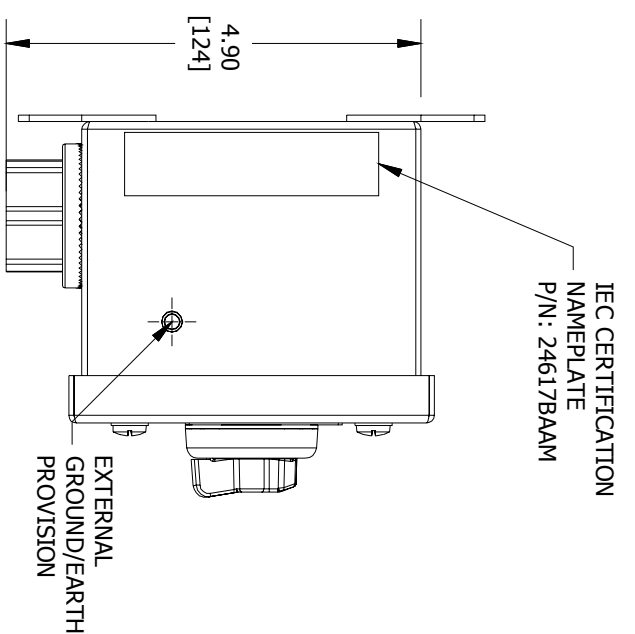
1/2 HP @ 120 VAC, 1 HP @ 208/240/277VAC
NEMA A600/P600 - PILOT DUTY
350VAC, 20A - TUNGSSTEN
AC690V 16A AC-12
AC230V 16A AC-15
50-60HZ
DC60V 5A DC-13
TERMINALS RATED FOR 1-2 CONDUCTORS
#22-10 AWG. (0.5-4mm²)



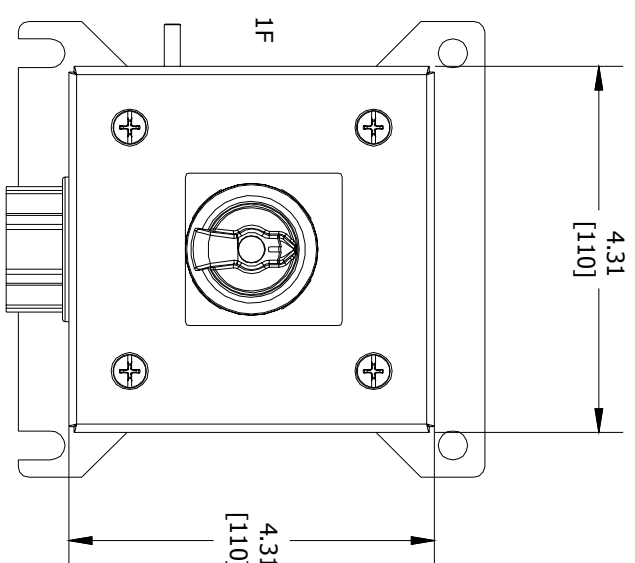
TOP VIEW

CERTIFICATION NAME PLATES

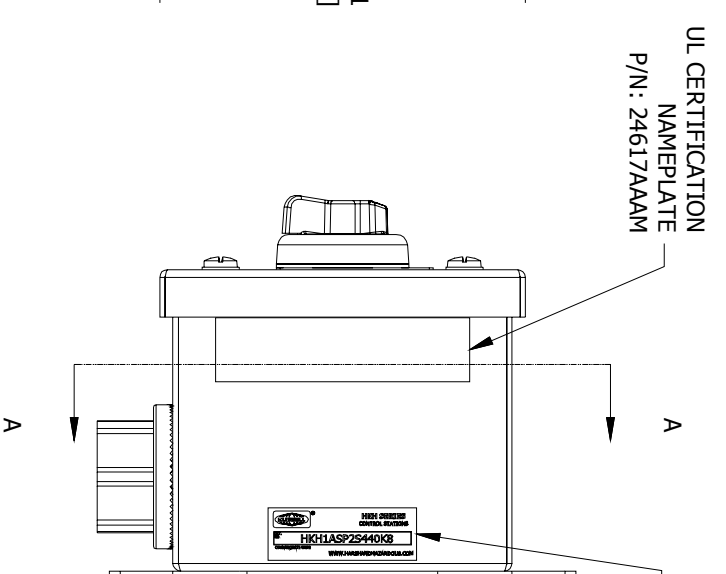
<p>Harsh & Hazardous WWW.HARSHANDHAZARDOUS.COM</p>	<p>CAT. NO. HKHMOD Series DATE CODE-S/N</p>	<p>ST. LOUIS, MO 63113 UL LISTED A243</p>
<p>INDUSTRIAL CONTROL EQUIPMENT FOR USE IN ZONE CLASSIFIED HAZ. LOCS. CLASS I, ZONE 1, AEX de IIC T6...T4 Gb; Ex de IIC T6...T4 Gb ZONE 21, AEx tb IIIC T85°C...T135°C Db IP66; Ex tb IIIC T85°C...T135°C Db IP66 CLASS I, DIV. 2, GRPS. AB,C,D; CLASS II, DIV. 1, GRPS. E,F,G (CANADA ONLY) CLASS III, TYPE 3/4/4X/12/13; -50°C ≤T_{as}+60°C</p>	<p>SEE IOM FORM K1466 FOR ELECTRICAL RATINGS.</p>	<p>SEE IOM FORM K1466 & K1470 FOR T-CODES AND FOR ELECTRICAL RATINGS.</p>



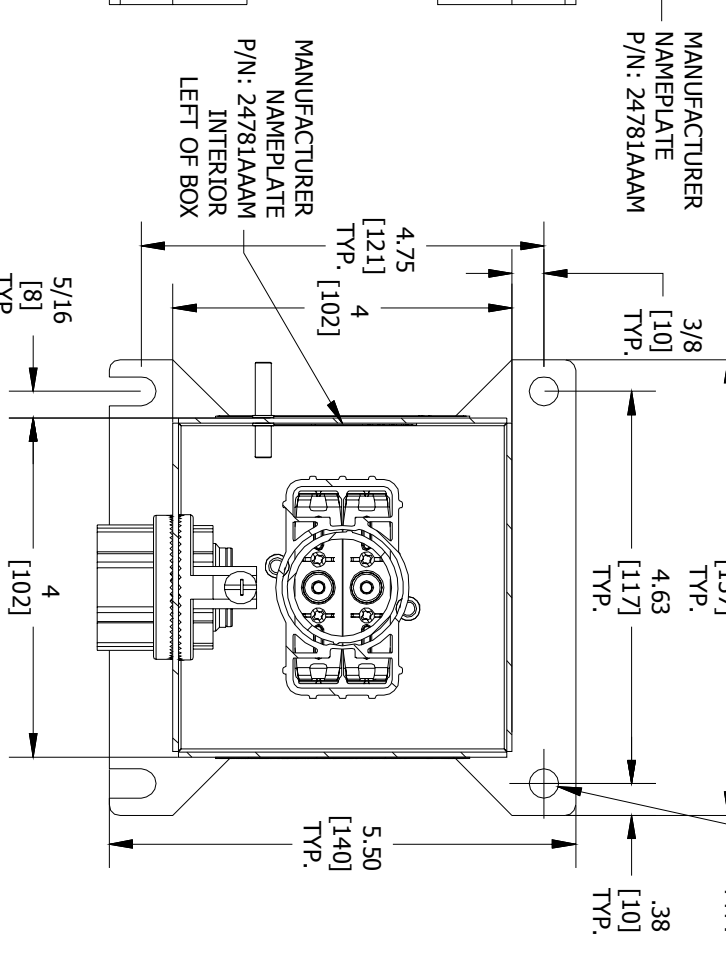
LEFT SIDE VIEW



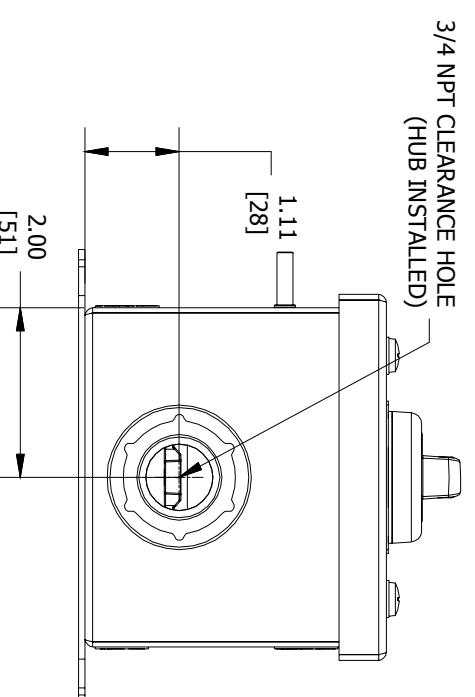
FRONT VIEW



RIGHT SIDE VIEW



SECTION A-A VIEW



BOTTOM VIEW

COMMENT:	SGN:	DATE:	ACCEPTANCE:
			CODE 1: APPROVED (NO COMMENTS) CODE 2: APPROVED FOR MANUFACTURING WITH COMMENTS TO BE INCORPORATED CODE 3: NOT APPROVED RE-SUBMIT CODE 4: FOR INFORMATION ONLY

DRAWN BY:	DATE:	DWG NUMBER:	ITEM:
PR	09-28-2016	HKH1ASP2S440K8	N/A
TITLE:	SALES/QUOTE NO.:		
HKH MODIFIED ENCLOSURE (HKH1ASP2S440K8)	N/A		

ENTRY HUB/GLAND SELECTION CHART*	
ENTRY NO.	HUB/GLAND:
ENTRY 1	K8: WH-255G

*HUBS & CABLE GLANDS ARE SHIPPED WITH ENCLOSURE

HKH SERIES
CONTROL STATIONS

CAT. NO. **HKH1ASP2S440K8**
COUNT/DATE CODE

WWW.HARSHANDHAZARDOUS.COM

MFG. NAME PLATE (REF.)

4

A

3

2

1

4

3

2

1

A

B

C

D

A

B

C

D