

4

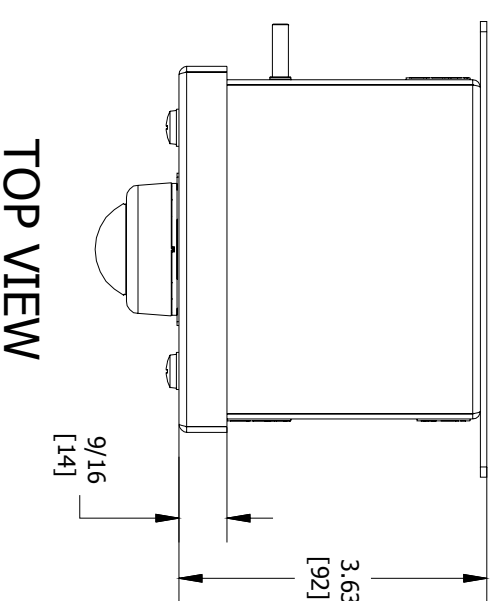
3

2

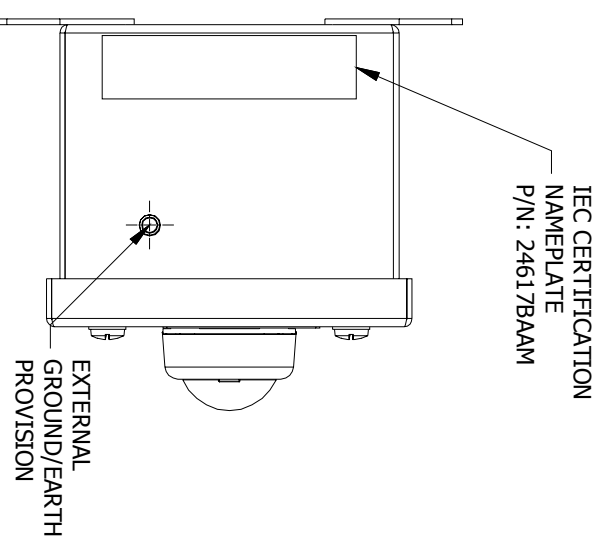
1

ENCLOSURE INFORMATION	
P/N:	DESCRIPTION:
23830KBAM	BOX SST 1F 1a, M20 BOTTOM
23803ABAB	COVER SST 1F 1a, SINGLE DEVICE
HKHMBRKT	HKH PANEL MOUNT BRACKET, C. B. & P. L. (1 PL.)
MOUNT METHOD:	
DEVICE 1 ASSEMBLY (1F)	
P/N:	DESCRIPTION:
HKHPLR	PILOT LIGHT RED LENS ASSEMBLY
LGND. PLATE:	Blank
LOCKOUT ACQY:	N/A
CONTACT 1:	PILOT LIGHT MOD,PM

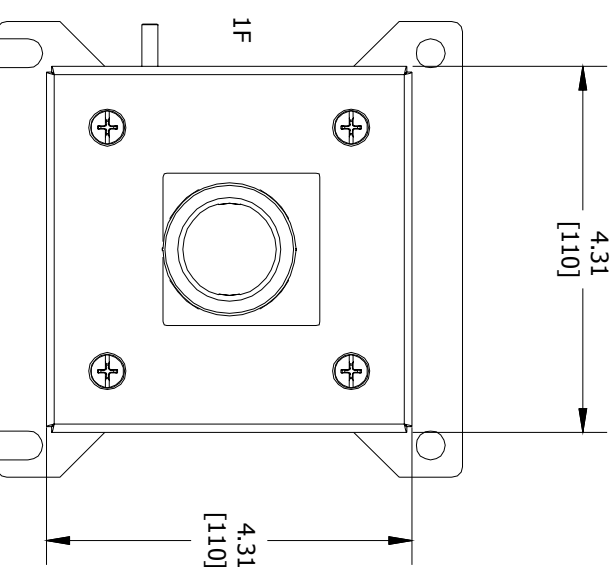
PILOT LIGHT RATINGS:
 LIGHT EMITTING DIODE
 12-254 VAC/DC LED
 0.6WTERMINALS RATED FOR 1-2 CONDUCTORS
 #22-10 AWG. (0.5-4mm²)



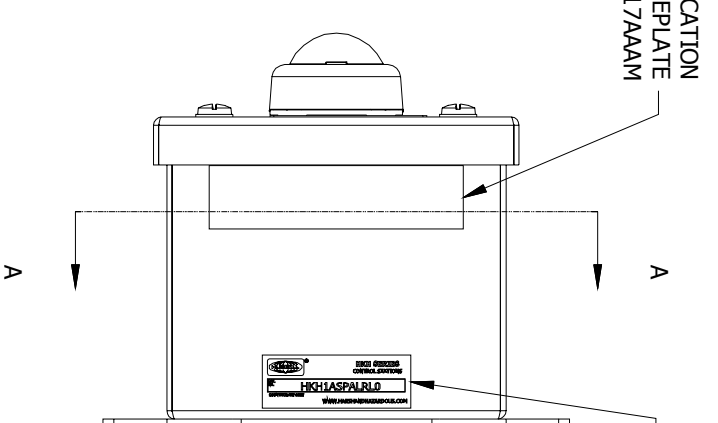
TOP VIEW



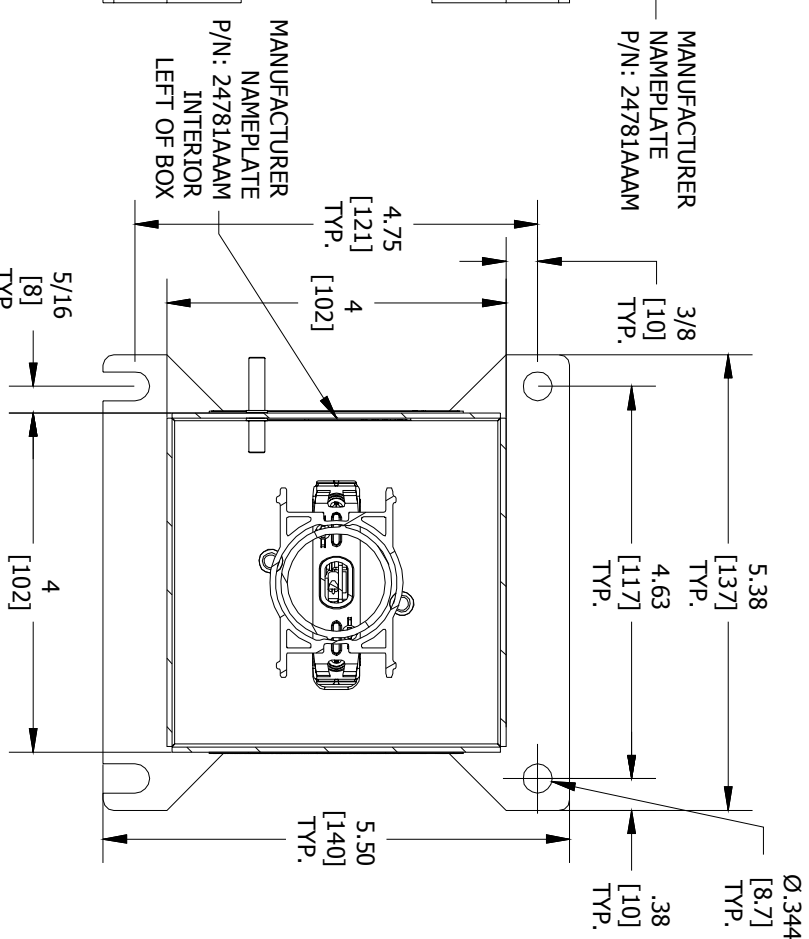
LEFT SIDE VIEW



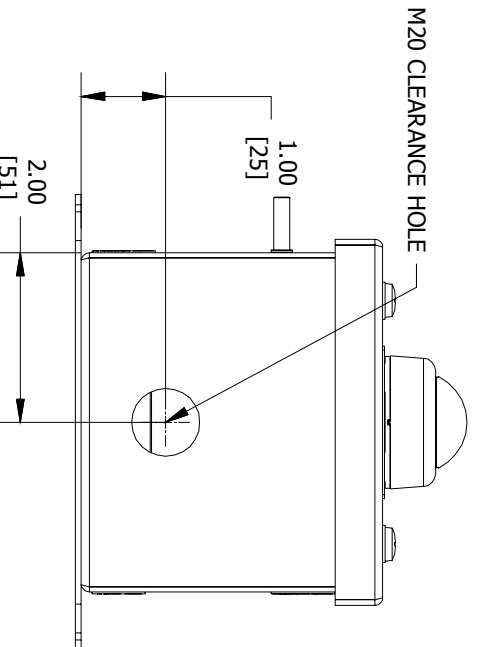
FRONT VIEW



RIGHT SIDE VIEW



SECTION A-A VIEW



BOTTOM VIEW

HUBBEL
 Harsh & Hazardous
 CAT. NO. **HKHMOD Series**
 DATE CODE 5/N
 ST. LOUIS, MO 63113

INDUSTRIAL CONTROL EQUIPMENT FOR USE IN ZONE CLASSIFIED HAZ. LOCS.
 CLASS I, ZONE 1, AEx de IIC T6...T4 Gb; Ex de IIC T6...T4 Gb
 ZONE 21, AEx tb IIC T85°C...T135°C Db IP66; Ex tb IIC T85°C...T135°C Db IP66
 CLASS I, DIV. 2, GRPS. A,B,C,D; CLASS II, DIV. 1, GRPS. E,F,G (CANADA ONLY)
 CLASS II, DIV. 2, GROUPS E,F,G; CLASS III
 CLASS III; TYPE 3/4/4X/12/13; -50°C STAs+60°C
 -40°C STAs+55°C WITH AMMETER)

TR RU C-US, M1062, B,04167 IEX 16,0079 INNETRO

FOR 1-CODES AND FOR ELECTRICAL RATINGS, SEE IOM FORM K1466 FOR ELECTRICAL RATINGS.

ST. LOUIS, MO 63113
 A243

HUBBEL
 Harsh & Hazardous
 CAT. NO. **HKHMOD Series**
 DATE CODE 5/N
 ST. LOUIS, MO 63113

INDUSTRIAL CONTROL EQUIPMENT FOR USE IN ZONE CLASSIFIED HAZ. LOCS.
 CLASS I, ZONE 1, AEx de IIC T6...T4 Gb; Ex de IIC T6...T4 Gb
 ZONE 21, AEx tb IIC T85°C...T135°C Db IP66; Ex tb IIC T85°C...T135°C Db IP66
 CLASS I, DIV. 2, GRPS. A,B,C,D; CLASS II, DIV. 1, GRPS. E,F,G (CANADA ONLY)
 CLASS II, DIV. 2, GROUPS E,F,G; CLASS III
 CLASS III; TYPE 3/4/4X/12/13; -50°C STAs+60°C
 -40°C STAs+55°C WITH AMMETER)

TR RU C-US, M1062, B,04167 IEX 16,0079 INNETRO

FOR 1-CODES AND FOR ELECTRICAL RATINGS, SEE IOM FORM K1466 FOR ELECTRICAL RATINGS.

ST. LOUIS, MO 63113
 A243

CERTIFICATION NAME PLATES

ENTRY HUB/GLAND SELECTION CHART*	
ENTRY NO.	HUB/GLAND:
ENTRY 1	NONE

*HUBS & CABLE GLANDS ARE SHIPPED WITH ENCLOSURE

COMMENT:

SGN:

DATE:

ACCEPTANCE:

DRAWN BY:

DATE:

DWG NUMBER:

COMMENT:

SGN:

DATE:

ACCEPTANCE:

DRAWN BY:

DATE:

DWG NUMBER:

COMMENT:

SGN:

DATE:

ACCEPTANCE:

DRAWN BY:

DATE:

DWG NUMBER:

COMMENT:

SGN:

DATE:

ACCEPTANCE:

DRAWN BY:

DATE:

DWG NUMBER:

COMMENT:

SGN:

DATE:

ACCEPTANCE:

DRAWN BY:

DATE:

DWG NUMBER:

REVISION

SGN:

DATE:

ACCEPTANCE:

DRAWN BY:

DATE:

DWG NUMBER:

REVISION

SGN:

DATE:

ACCEPTANCE:

DRAWN BY:

DATE:

DWG NUMBER:

REVISION

SGN:

DATE:

ACCEPTANCE:

DRAWN BY:

DATE:

DWG NUMBER:

A

B

C

D

A

B

C

D

MFG. NAME PLATE (REF.)

HUBBEL
 HKH SERIES
 CONTROL STATIONS
 HKH1ASPALRLO
 WWW.HARSHANDHAZARDOUS.COM

REVISION	SGN:	DATE:	ACCEPTANCE:	DRAWN BY:	DATE:	DWG NUMBER:	ITEM:
A				PR	09-27-2016	HKH1ASPALRLO	N/A

4

3

2

1

SHEET 1 OF 1