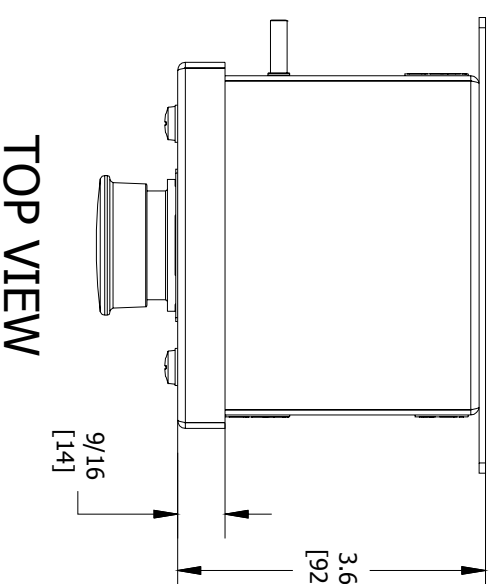
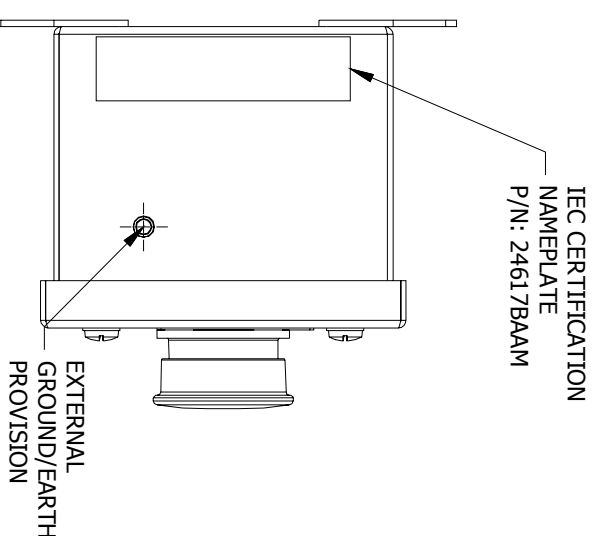


ENCLOSURE INFORMATION	
P/N:	DESCRIPTION:
23830KBAM	BOX SST 1F 1a, M20 BOTTOM
23803ABAB	COVER SST 1F 1a, SINGLE DEVICE
HKHMBRKT	HKH PANEL MOUNT BRACKET, C. B. & P. L. (1 PL.)
MOUNT METHOD:	
AC690V 16A AC-12	
AC230V 16A AC-15	
50-60HZ	
DC60V 5A DC-13	
TERMINALS RATED FOR 1-2 CONDUCTORS	
#22-10 AWG. (0.5-4mm ²)	
P/N:	DESCRIPTION:
HKHBMNR	MOMENTARY PUSHBUTTON, MUSHROOM HD, RED
LGND. PLATE:	STOP
LOCKOUT ACV:	N/A
CONTACT 1:	CONTACT BLCK, FACT SEALED N.O. PM, 20A
CONTACT 2:	CONTACT BLCK, FACT SEALED N.O. PM, 20A

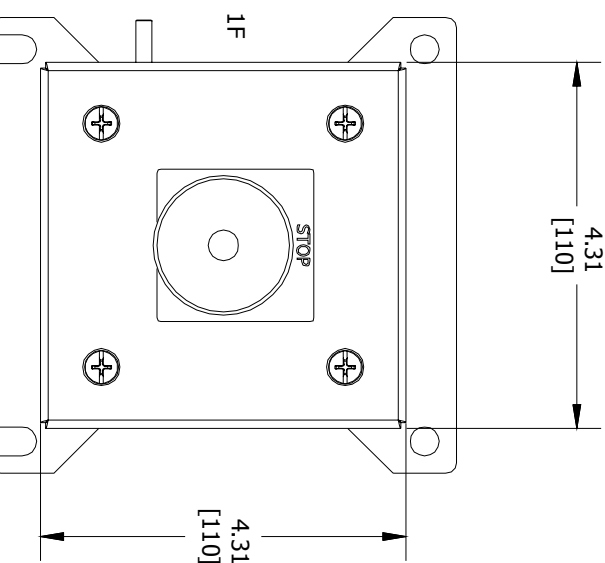
CONTACT BLOCK RATINGS:
690 VAC, 20A, 50-60
60 VDC, 5A, 110VDC, 1.5A



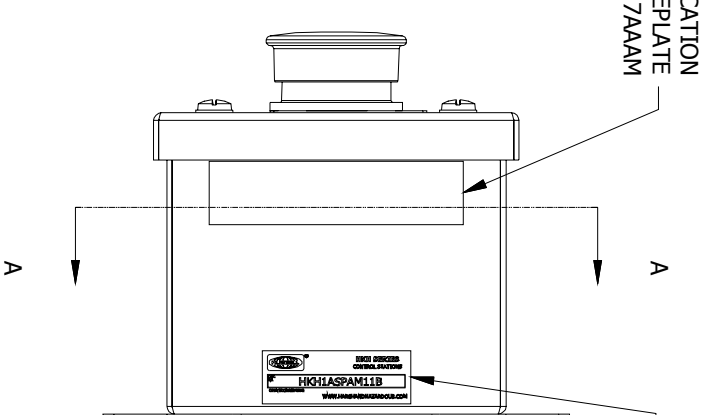
TOP VIEW



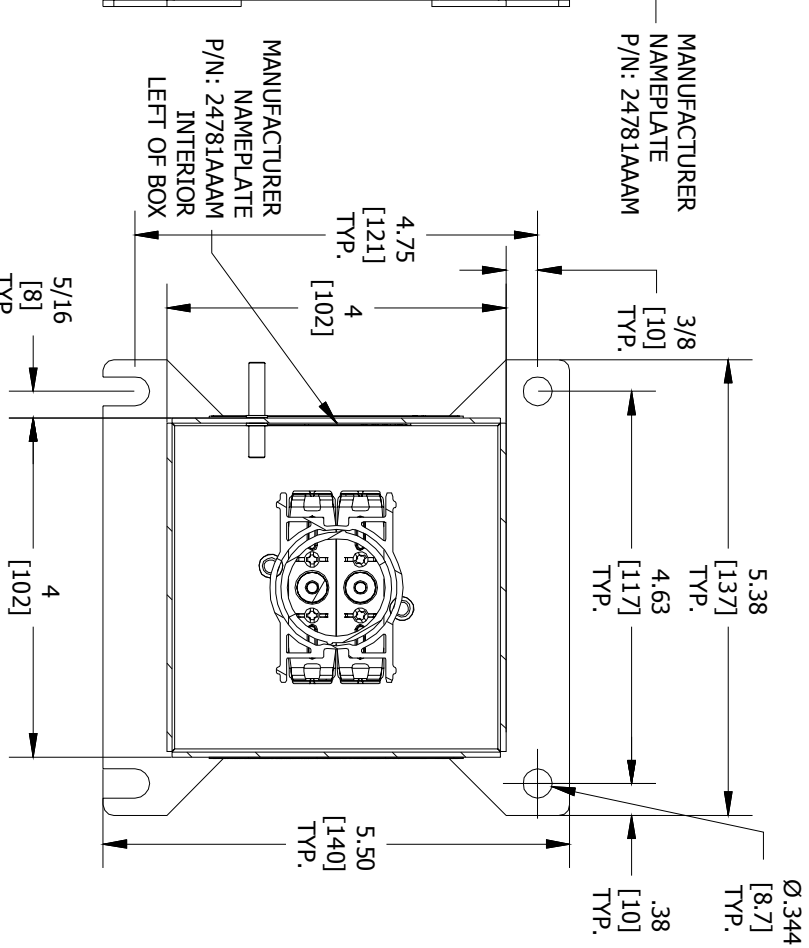
LEFT SIDE VIEW



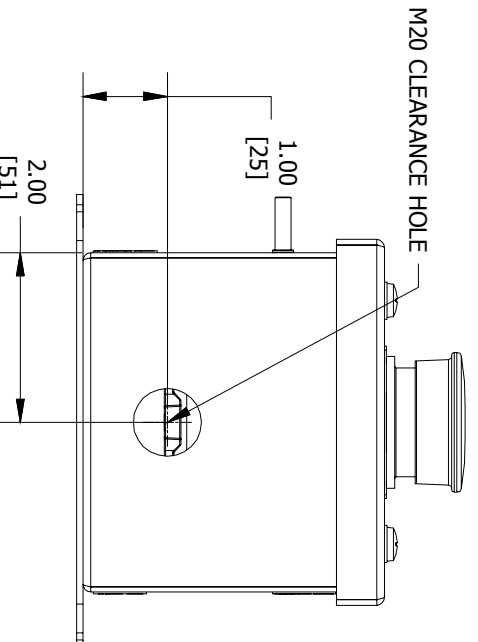
FRONT VIEW



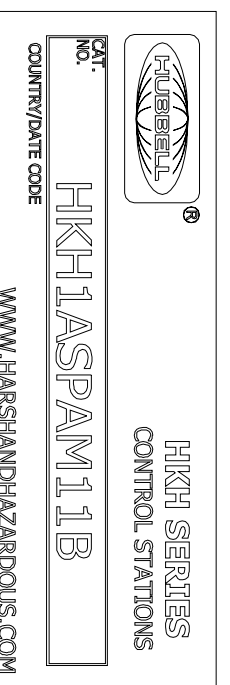
RIGHT SIDE VIEW



SECTION A-A VIEW



BOTTOM VIEW



MFG. NAME PLATE (REF.)

HUBBEL Harsh & Hazardous	HUBBEL Harsh & Hazardous
CAT. NO. HKHMOD Series	CAT. NO. HKHMOD Series
DATE CODE-S/N	DATE CODE-S/N
WWW.HARSHANDHAZARDOUS.COM	WWW.HARSHANDHAZARDOUS.COM
INDUSTRIAL CONTROL EQUIPMENT FOR USE IN ZONE CLASSIFIED HAZ. LOCs.	INDUSTRIAL CONTROL EQUIPMENT FOR USE IN ZONE CLASSIFIED HAZ. LOCs.
CLASS I, ZONE 1, AEx de IIC T6...T4 Gb, Ex de IIC T6...T4 Gb	CLASS I, ZONE 1, AEx de IIC T6...T4 Gb, Ex de IIC T6...T4 Gb
ZONE 21, AEx tb IIIC T85°C...T135°C Db IP66, Ex tb IIIC T85°C...T135°C Db IP66	ZONE 21, AEx tb IIIC T85°C...T135°C Db IP66, Ex tb IIIC T85°C...T135°C Db IP66
CLASS I, DIV 2, GRPS. A,B,C,D; CLASS II, DIV.1, GRPS. E,F,G (CANADA ONLY)	CLASS I, DIV 2, GRPS. A,B,C,D; CLASS II, DIV.1, GRPS. E,F,G (CANADA ONLY)
CLASS II, DIV.2, GROUPS E,F,G; CLASS III	CLASS II, DIV.2, GROUPS E,F,G; CLASS III
CLASS III; TYPE 3/4(X)/12/13; -50°C ≤Tas ≤+60°C	CLASS III; TYPE 3/4(X)/12/13; -50°C ≤Tas ≤+60°C
SEE IOM FORM KI466 FOR ELECTRICAL RATINGS.	SEE IOM FORM KI466 FOR ELECTRICAL RATINGS.
ST. LOUIS, MO 63113	ST. LOUIS, MO 63113
TR RU C-US, MIO62.B.04167	TR RU C-US, MIO62.B.04167
IEC 16,0079 INMETERO	IEC 16,0079 INMETERO
EX IIC	EX IIC
IP66	IP66
SEE IOM FORM KI466 & KI470	SEE IOM FORM KI466 & KI470
FOR T-CODES AND FOR ELECTRICAL RATINGS.	FOR T-CODES AND FOR ELECTRICAL RATINGS.
SECURANCE	SECURANCE
UL LISTED	UL LISTED
A243	A243

CERTIFICATION NAME PLATES

COMMENT:	SGN:	DATE:	ACCEPTANCE:	DRAWN BY:	DATE:	DWG NUMBER:	ITEM:
			CODE 1: APPROVED (NO COMMENTS)	PR	09-22-2016	HKH1ASPAM11B	N/A
			CODE 2: APPROVED FOR MANUFACTURING WITH COMMENTS TO BE INCORPORATED				
			CODE 3: NOT APPROVED RE-SUBMIT				
			CODE 4: FOR INFORMATION ONLY				

ENTRY HUB/GLAND SELECTION CHART*	
ENTRY NO.	HUB/GLAND:
ENTRY 1	NONE

*HUBS & CABLE GLANDS ARE SHIPPED WITH ENCLOSURE

REVISION	DATE:	BY:	DESCRIPTION:
A			REVISION



SHEET 1 OF 1