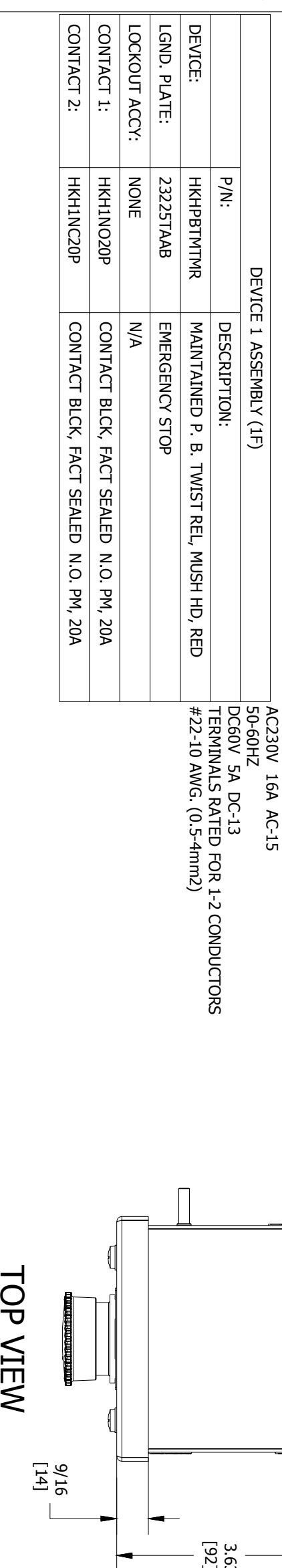
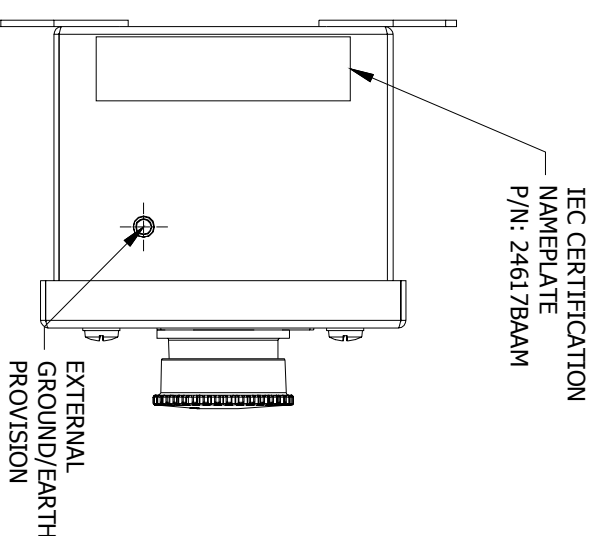


ENCLOSURE INFORMATION	
P/N:	DESCRIPTION:
23830KBAM	BOX SST 1F 1a, M20 BOTTOM
23803ABAB	COVER SST 1F 1a, SINGLE DEVICE
HKHPMBRKT	HKH PANEL MOUNT BRACKET, C. B. & P. L. (1 PL.)
MOUNT METHOD: HKHPMBRKT	
DEVICE 1 ASSEMBLY (1F)	
P/N:	DESCRIPTION:
HKHPB1TMR	MAINTAINED P. B. TWIST REL, MUSH HD, RED
23225TAAB	EMERGENCY STOP
LOCKOUT ACY:	N/A
CONTACT 1:	CONTACT BLCK, FACT SEALED N.O. PM, 20A
CONTACT 2:	CONTACT BLCK, FACT SEALED N.O. PM, 20A

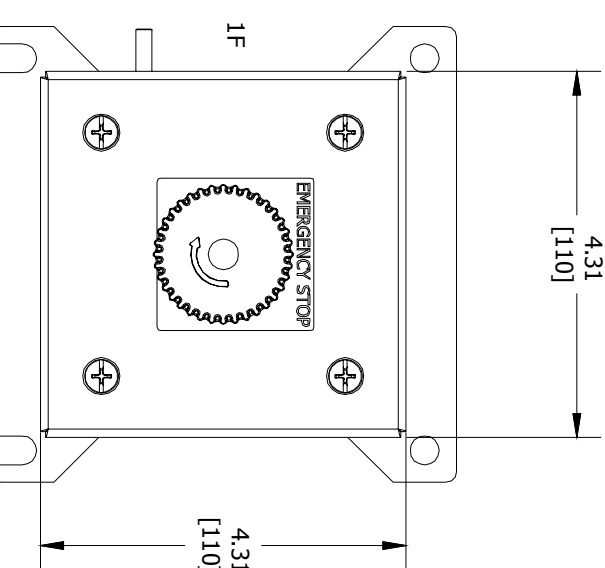
CONTACT BLOCK RATINGS:
690 VAC, 20A, 50-60
60 VDC, 5A, 110VDC, 1.5A
1/2 HP @ 120 VAC, 1 HP @ 208/240/277VAC
NEMA A600/P600 - PILOT DUTY
350VAC, 20A - TUNGSTEN
AC690V 16A AC-12
AC230V 16A AC-15
50-60HZ
DC60V 5A DC-13
TERMINALS RATED FOR 1-2 CONDUCTORS
#22-10 AWG. (0.5-4mm²)



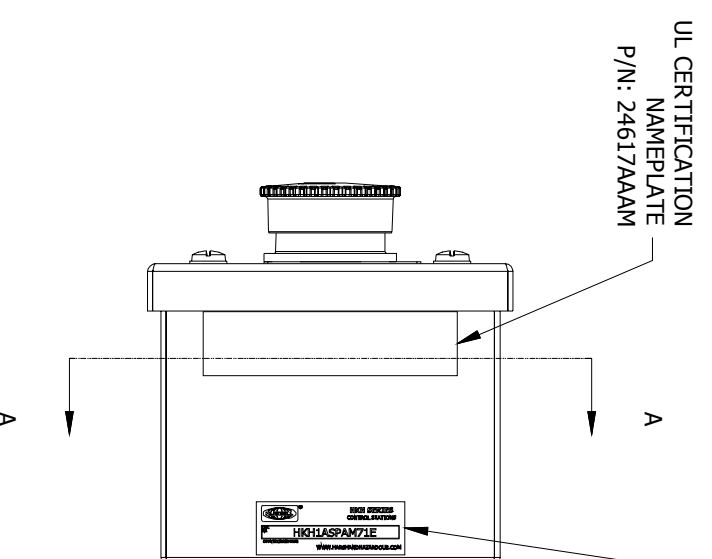
TOP VIEW



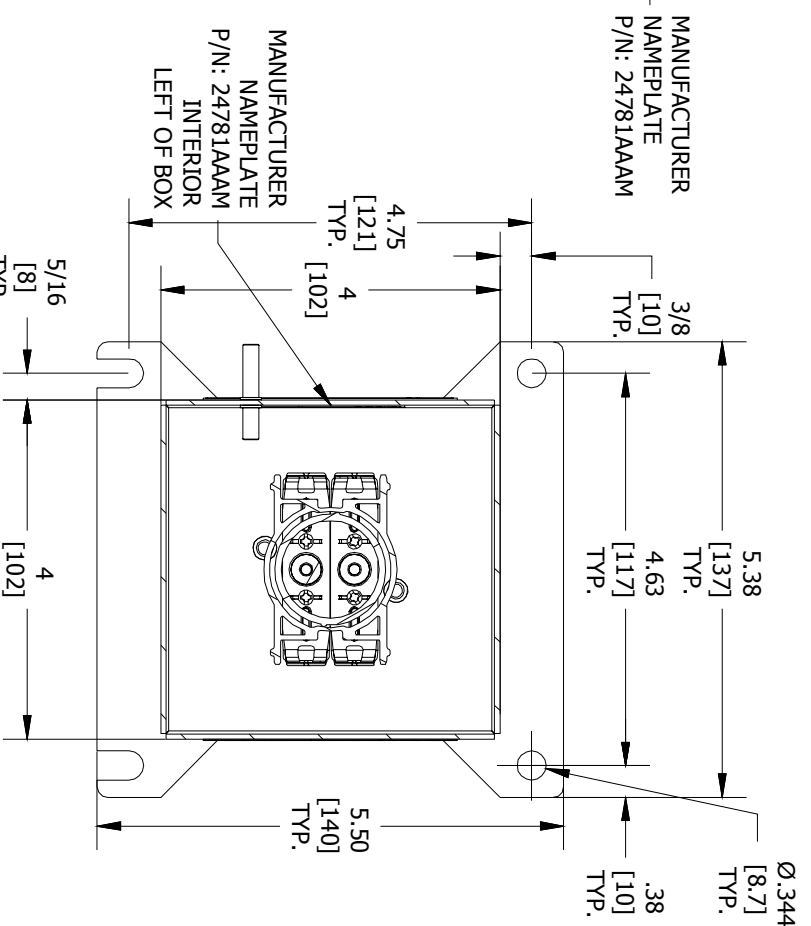
LEFT SIDE VIEW



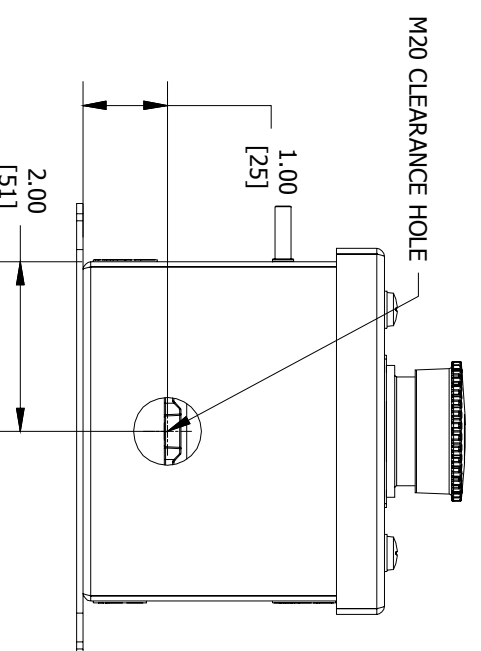
FRONT VIEW



RIGHT SIDE VIEW



SECTION A-A VIEW



BOTTOM VIEW

	CAT. NO. HKHMOD Series	DATE CODE-S/N ST. LOUIS, MO 63113
Harsh & Hazardous www.harsbandhzardous.com	INDUSTRIAL CONTROL EQUIPMENT FOR USE IN ZONE CLASSIFIED HAZ. LOCS. CLASS I, ZONE 1, AEx de IIC T6...T4 Gb; Ex de IIC T6...T4 Gb ZONE 21, AEx tb IIC T85°C...T135°C Db IP66; Ex tb IIC T85°C...T135°C Db IP66 CLASS I, DIV. 2, GRPS. A,B,C,D; CLASS II, DIV.1, GRPS. E,F,G (CANADA ONLY) CLASS II, DIV.2, GROUPS E,F,G; CLASS III CLASS III; TYPE 3/4/4X/12/13; -50°C ≤Tas ≤+60°C	SEE IOM FORM K1466 FOR ELECTRICAL RATINGS.
0539 Ex de IIC T6...T4 Gb 0539 Ex tb IIC T85°C...T135°C Db IP66	112G Ex de IIC T6...T4 Gb 112D Ex tb IIC T85°C...T135°C Db IP66	SEE IOM FORM K1466 & K1470 FOR T-CODES AND FOR ELECTRICAL RATINGS.
15 ATEX 1405X Ex de IIC T6...T4 Gb Ex tb IIC T85°C...T135°C Db IP66	15 ATEX 1405X Ex de IIC T6...T4 Gb Ex tb IIC T85°C...T135°C Db IP66	TR RU C-US:MI062.04167 IEX 16.0079 INMETRO
UL 15:0054X -50°C ≤Tas ≤+60°C	UL 15:0054X -50°C ≤Tas ≤+60°C	TR RU C-US:MI062.04167 IEX 16.0079 INMETRO
CAT. NO. HKHMOD Series DATE CODE-S/N		
www.harsbandhzardous.com		

CERTIFICATION NAME PLATES

COMMENT:	SGN:	DATE:	ACCEPTANCE:	DRAWN BY:	DATE:	DWG NUMBER:	ENTRY NO.	HUB/GLAND:
			CODE 1: APPROVED (NO COMMENTS)	PR	09-28-2016	HKH1ASPAM71E	ENTRY 1	NONE
			CODE 2: APPROVED FOR MANUFACTURING WITH COMMENTS TO BE INCORPORATED					
			CODE 3: NOT APPROVED RE-SUBMIT					
			CODE 4: FOR INFORMATION ONLY					

TITLE:	SALES/QUOTE NO.:	ITEM:
HKH MODIFIED ENCLOSURE (HKH1ASPAM71E)	N/A	N/A

REVISION	REVISION	DATE:	DESCRIPTION:
A	REVISION		

	HKH SERIES CONTROL STATIONS
CAT. NO. HKH1ASPAM71E	
COUNT/DATE CODE	www.harsbandhzardous.com

MFG. NAME PLATE (REF.)

4

A

3

2

1

4

3

2

1