

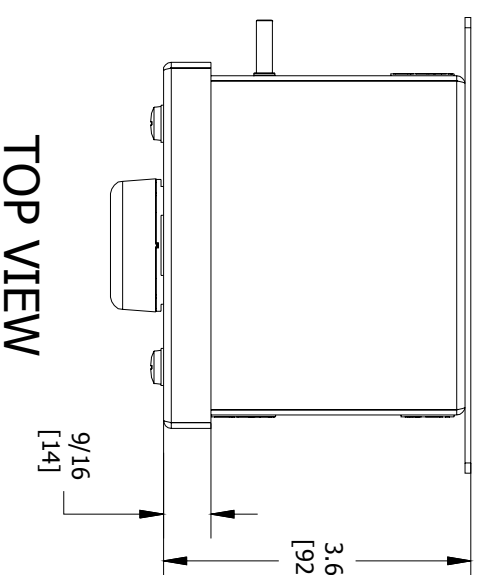
ENCLOSURE INFORMATION	
P/N:	DESCRIPTION:
23830KBAM	BOX SST 1F 1a, M20 BOTTOM
23803ABAB	COVER SST 1F 1a, SINGLE DEVICE
HKHMBRKT	HKH PANEL MOUNT BRACKET, C. B. & P. L. (1 PL.)
MOUNT METHOD:	
HKHINO20P	
HKHINC20P	
CONTACT 1:	
CONTACT 2:	

*SUPPLIED WITH 7 COLORED INSERTS:

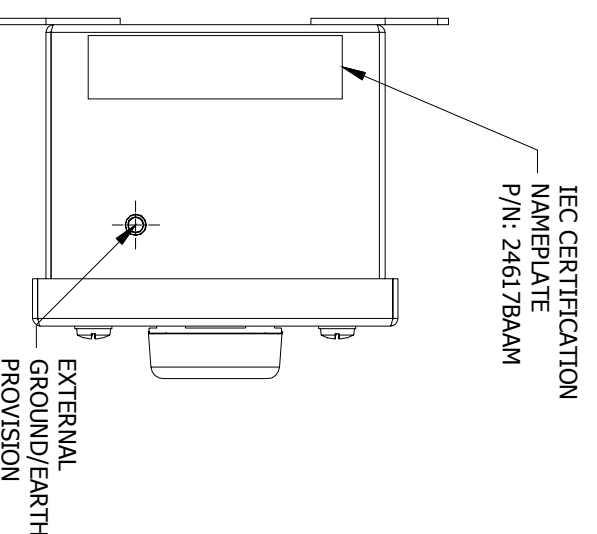
1. "STOP" (RED)
2. "START" (GREEN)
3. "I" (GREEN)
4. "O" (RED)
5. BLANK (BLACK)
6. BLANK (GREEN)
7. BLANK (RED)

CONTACT BLOCK RATINGS:
690 VAC, 20A, 50-60
60 VDC, 5A, 110VDC, 1.5A

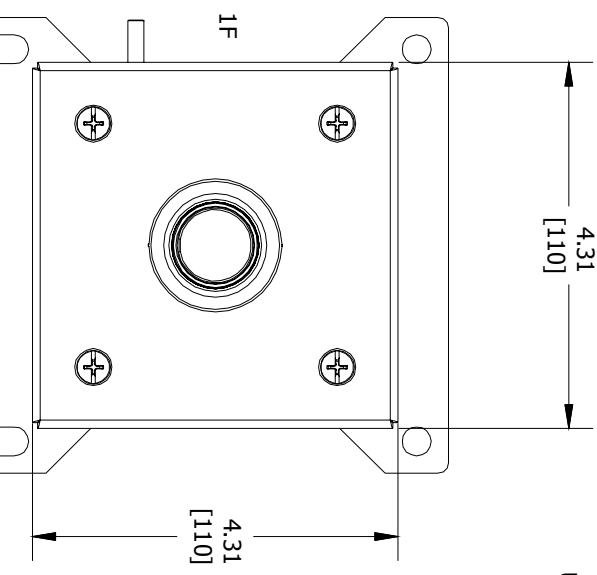
1/2 HP @ 120 VAC, 1 HP @ 208/240/277VAC
NEMA A600/P600 - PILOT DUTY
350VAC, 20A - TUNGSTEN
AC690V 16A AC-12
AC230V 16A AC-15
50-60HZ
DC60V 5A DC-13
TERMINALS RATED FOR 1-2 CONDUCTORS
#22-10 AWG. (0.5-4mm²)



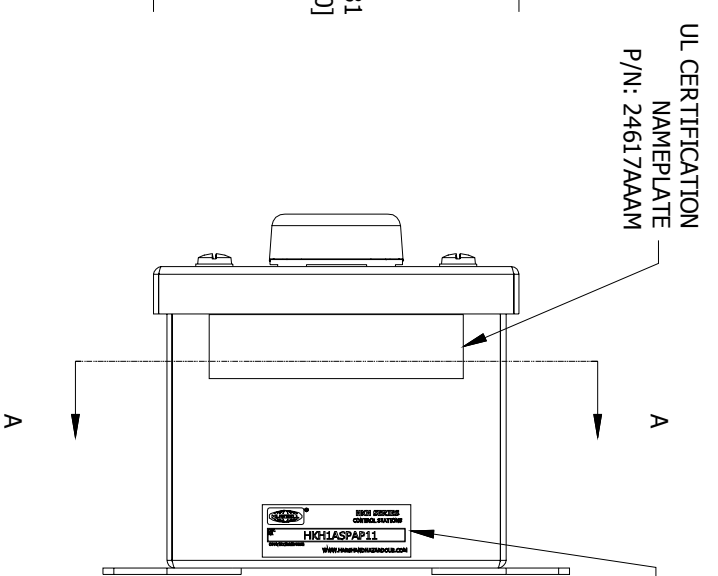
TOP VIEW



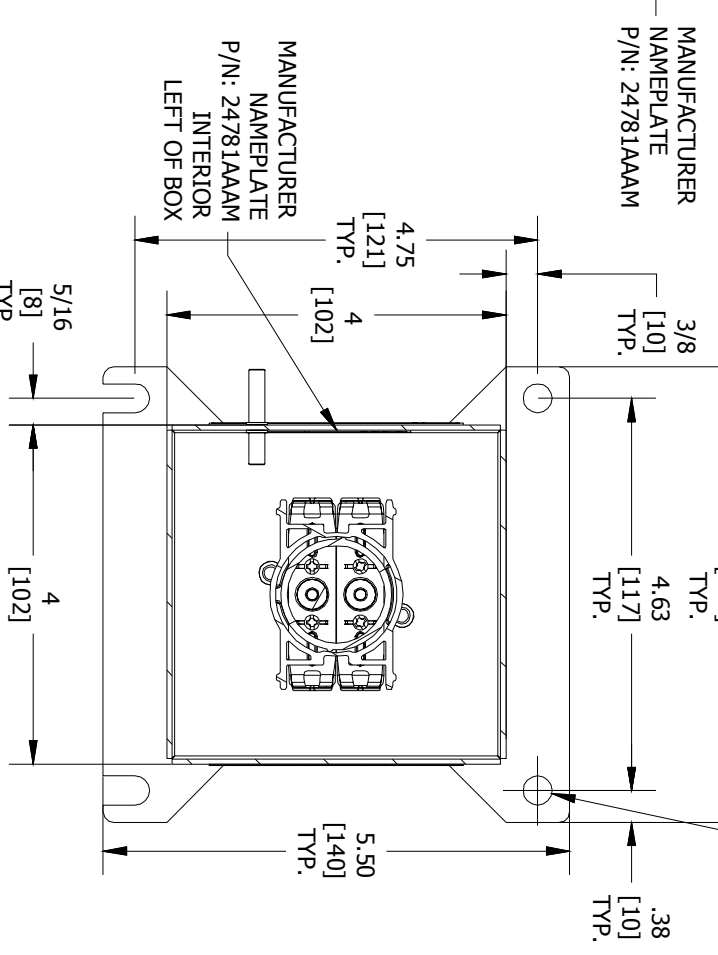
LEFT SIDE VIEW



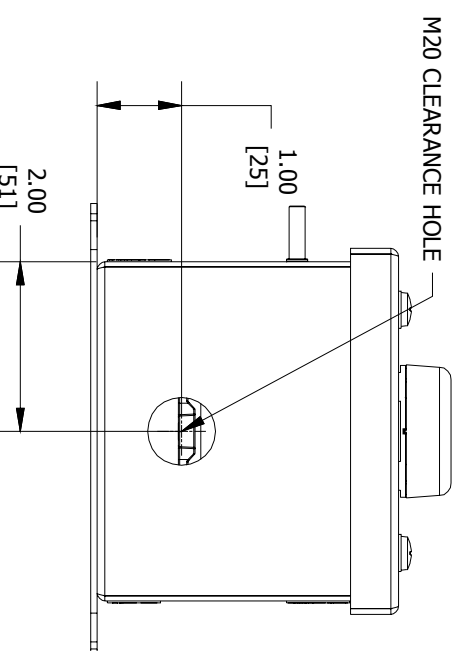
FRONT VIEW



RIGHT SIDE VIEW



SECTION A-A VIEW



BOTTOM VIEW

HUBBEL
Harsh & Hazardous

CAT. NO. **HKHMOD Series** DATE CODE S/N

WWW.HARSHANDHAZARDOUS.COM

INDUSTRIAL CONTROL EQUIPMENT FOR USE IN ZONE CLASSIFIED HAZ. LOCs.
CLASS I, ZONE 1, AEx de IIC T6...T4 Gb; Ex de IIC T6...T4 Gb
ZONE 21, AEx tb IIIC T85°C...T135°C Db IP66; Ex tb IIIC T85°C...T135°C Db IP66
CLASS I, DIV.2, GRPs. A,B,C,D; CLASS II, DIV.1, GRPs. E,F,G (CANADA ONLY)
CLASS II, DIV.2, GROUPS E,F,G; CLASS III
CLASS III: TYPE 3/4/4X/12/13; -50°C ≤TAs+60°C

SEE IOM FORM KI466 FOR ELECTRICAL RATINGS.

TR RU C-US-MIO02.B.04167 IEX 16.0079 INNETTRO

ST. LOUIS, MO 63113

HUBBEL
Harsh & Hazardous

CAT. NO. **HKHMOD Series** DATE CODE S/N

WWW.HARSHANDHAZARDOUS.COM

INDUSTRIAL CONTROL EQUIPMENT FOR USE IN ZONE CLASSIFIED HAZ. LOCs.
CLASS I, ZONE 1, AEx de IIC T6...T4 Gb; Ex de IIC T6...T4 Gb
ZONE 21, AEx tb IIIC T85°C...T135°C Db IP66; Ex tb IIIC T85°C...T135°C Db IP66
CLASS I, DIV.2, GRPs. A,B,C,D; CLASS II, DIV.1, GRPs. E,F,G (CANADA ONLY)
CLASS II, DIV.2, GROUPS E,F,G; CLASS III
CLASS III: TYPE 3/4/4X/12/13; -50°C ≤TAs+60°C

SEE IOM FORM KI466 FOR ELECTRICAL RATINGS.

TR RU C-US-MIO02.B.04167 IEX 16.0079 INNETTRO

ST. LOUIS, MO 63113

CERTIFICATION NAME PLATES

COMMENT:	SGN:	DATE:	ACCEPTANCE:	DRAWN BY:	DATE:	DWG NUMBER:	ENTRY NO.	HUB/GLAND:
			CODE 1: APPROVED (NO COMMENTS)			HKH1ASPAP11	ENTRY 1	NONE
			CODE 2: APPROVED FOR MANUFACTURING WITH COMMENTS TO BE INCORPORATED					
			CODE 3: NOT APPROVED RE-SUBMIT					
			CODE 4: FOR INFORMATION ONLY					

*HUBS & CABLE GLANDS ARE SHIPPED WITH ENCLOSURE

COMMENT:

SGN:

DATE:

ACCEPTANCE:

DRAWN BY:

DATE:

DWG NUMBER:

ENTRY NO.

HUB/GLAND:

COMMENT:

SGN:

DATE:

ACCEPTANCE:

DRAWN BY:

DATE:

DWG NUMBER:

ENTRY NO.

HUB/GLAND:

HUBBEL
HKH SERIES
CONTROL STATIONS

CONTROL NO. **HKH1ASPAP11**

COUNTY/DATE CODE

WWW.HARSHANDHAZARDOUS.COM

MFG. NAME PLATE (REF.)

REVISION	DATE	BY	DESCRIPTION
A	09-22-2016		HKH MODIFIED ENCLOSURE (HKH1ASPAP11)