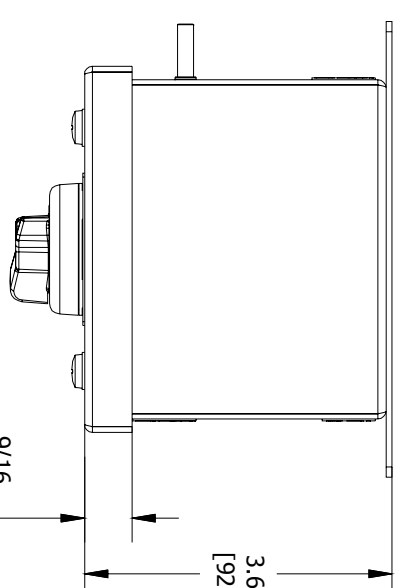


ENCLOSURE INFORMATION	
P/N:	DESCRIPTION:
23830KBAM	BOX SST 1F 1a, M20 BOTTOM
23803ABAB	COVER SST 1F 1a, SINGLE DEVICE
HKH1MBRKT	HKH PANEL MOUNT BRACKET, C. B. & P. L. (1 PL.)
MOUNT METHOD:	
DEVICE 1 ASSEMBLY (1F)	
P/N:	DESCRIPTION:
HKH2PSMTV	2 POS SEL SWT MAINTAINED CONTACT, VERT
23225ABAB	OFF/ON
LOCKOUT ACQY:	
NONE	
HKH1NO20P	CONTACT BLCK, FACT SEALED N.O. PM, 20A
HKH1NC20P	CONTACT BLCK, FACT SEALED N.C. PM, 20A

CONTACT BLOCK RATINGS:
 690 VAC, 20A, 50-60
 60 VDC, 5A, 110VDC, 1.5A

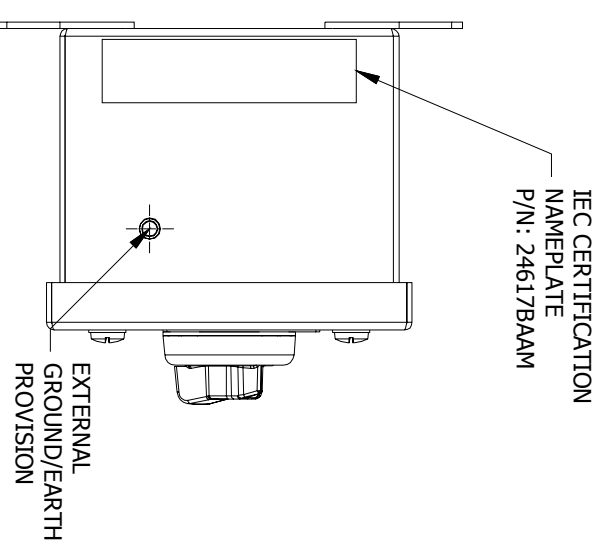
1/2 HP @ 120 VAC, 1 HP @ 208/240/277VAC
 NEMA A600/P600 - PILOT DUTY
 350VAC, 20A - TUNGSTEN
 AC690V 16A AC-12
 AC230V 16A AC-15
 50-60HZ
 DC60V 5A DC-13
 TERMINALS RATED FOR 1-2 CONDUCTORS
 #22-10 AWG. (0.5-4mm²)



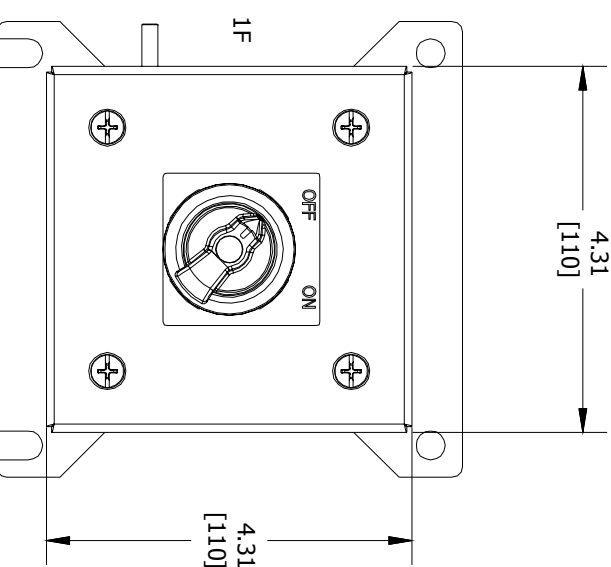
TOP VIEW

	CAT. NO.	HKHMOD Series	DATE CODE-S/N
	WWW.HARSHANDHAZARDOUS.COM		
INDUSTRIAL CONTROL EQUIPMENT FOR USE IN ZONE CLASSIFIED HAZ. LOCS. CLASS I, ZONE 1, AEx de IIC T6...T4 Gb; Ex de IIC T6...T4 Gb CLASS II, DIV.2, GRP5, A,B,C,D; CLASS II, DIV.1, GRP5, E,F,G (CANADA ONLY) CLASS III, TYPE 3/4/4X/12/13; -50°C ≤ T _{amb} ≤ +60°C			
HARSH & Hazardous CAT. NO. HKHMOD Series WWW.HARSHANDHAZARDOUS.COM ST. LOUIS, MO 63113			
DEMKO 15 ATEX 1405X Ex de IIC T6...T4 Gb; Ex de IIC T85°C...T135°C Db IP66 IECEx UL 15.0054X (-50°C ≤ T _{amb} ≤ +60°C WITH AMMETER)			
SEE IOM FORM K1466 FOR ELECTRICAL RATINGS.			

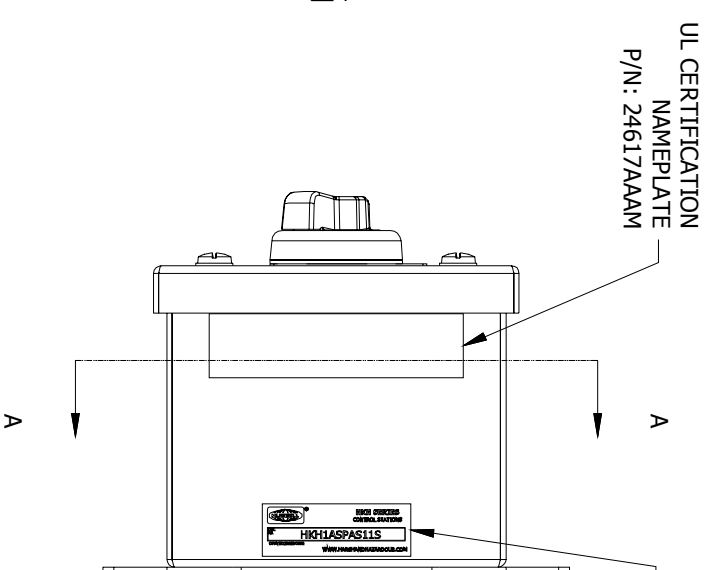
CERTIFICATION NAME PLATES



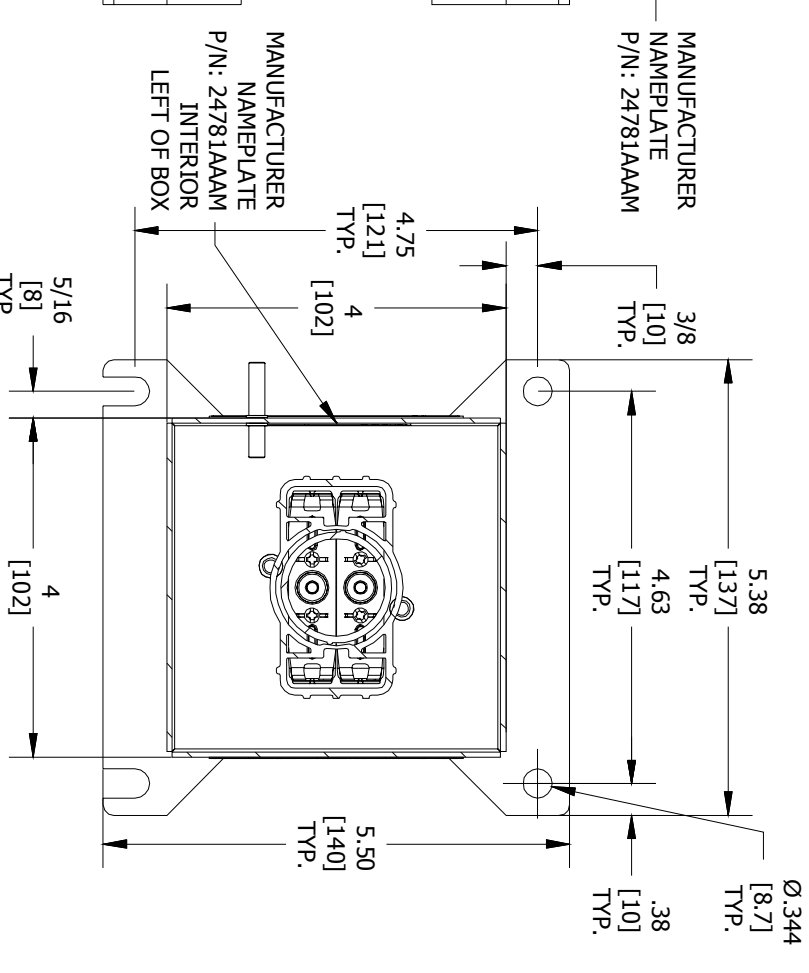
LEFT SIDE VIEW



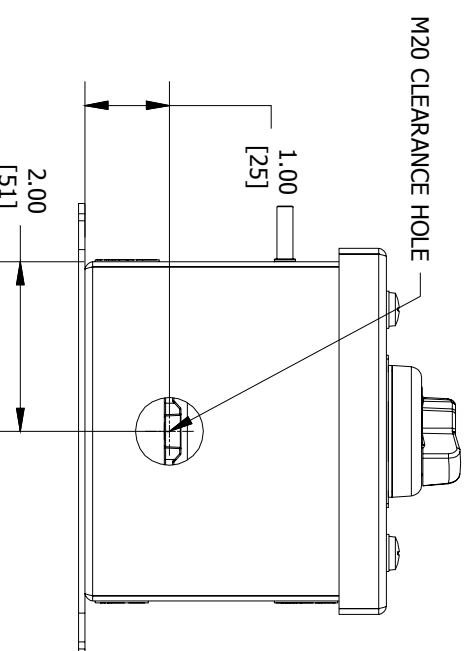
FRONT VIEW



RIGHT SIDE VIEW



SECTION A-A VIEW



BOTTOM VIEW

COMMENT:	SGN:	DATE:	ACCEPTANCE:
			CODE 1: APPROVED (NO COMMENTS)
			CODE 2: APPROVED FOR MANUFACTURING WITH COMMENTS TO BE INCORPORATED
			CODE 3: NOT APPROVED RE-SUBMIT
			CODE 4: FOR INFORMATION ONLY

DRAWN BY:	DATE:	DWG NUMBER:	ITEM:
PR	09-28-2016	HKH1ASPAS11S	N/A

ENTRY HUB/GLAND SELECTION CHART*	
ENTRY NO.	HUB/GLAND:
ENTRY 1	NONE

*HUBS & CABLE GLANDS ARE SHIPPED WITH ENCLOSURE

HKH SERIES
CONTROL STATIONS

CONTROL NO. **HKH1ASPAS11S**

COUNTY/DATE CODE

WWW.HARSHANDHAZARDOUS.COM

MFG. NAME PLATE (REF.)

REVISION	DATE:	BY:	DESCRIPTION:
A			REVISION

TITLE:	SHEET	OF	TOTAL SHEETS
HKH MODIFIED ENCLOSURE (HKH1ASPAS11S)	1	1	1