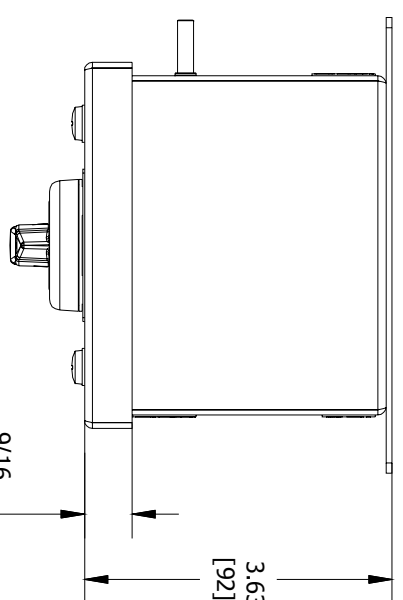


ENCLOSURE INFORMATION	
P/N:	DESCRIPTION:
23830KBAM	BOX SST 1F 1a, M20 BOTTOM
COVER:	COVER SST 1F 1a, SINGLE DEVICE
23803ABAB	NEMA A600/P600 - PILOT DUTY
MOUNT METHOD:	HKH PANEL MOUNT BRACKET, C. B. & P. L. (1 PL.)
HKHPMBRKT	AC690V 16A AC-12
	AC230V 16A AC-15
	50-60HZ
	DC60V 5A DC-13
	TERMINALS RATED FOR 1-2 CONDUCTORS
	#22-10 AWG. (0.5-4mm ²)

CONTACT BLOCK RATINGS:
690 VAC, 20A, 50-60
60 VDC, 5A, 110VDC, 1.5A

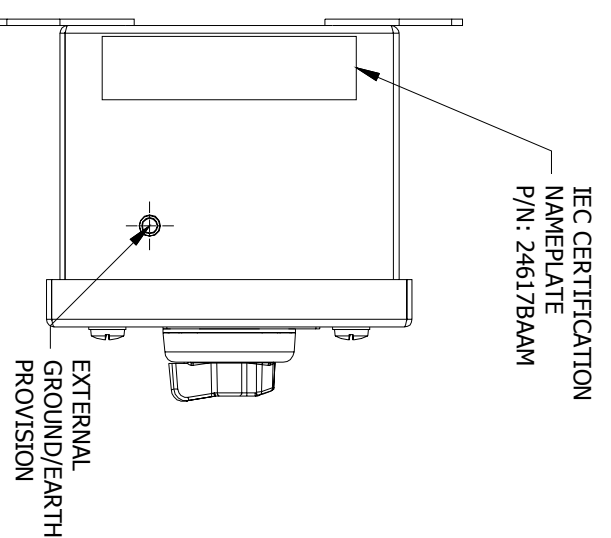


TOP VIEW

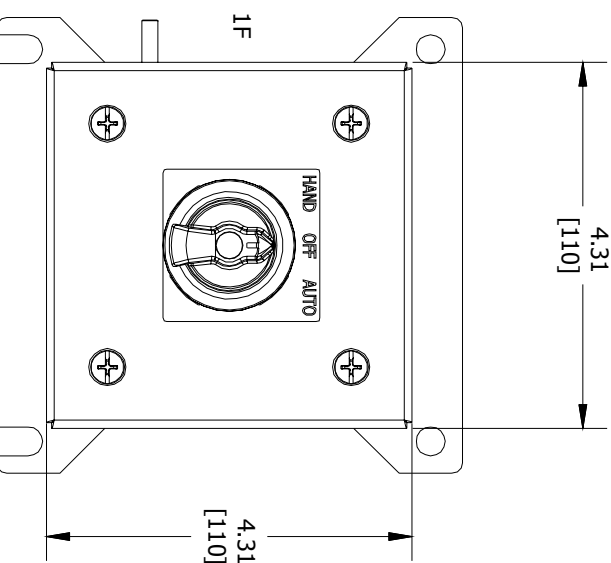
 Harsh & Hazardous www.harshandhazardous.com	CAT. NO. HKHMOD Series	DATE CODE: 5/N ST. LOUIS, MO 63113
	SEE IOM FORM K1466 & K1470 FOR 1-CODES AND FOR ELECTRICAL RATINGS.	TR RU C-US, M1062, B, 04167 IEX 16.0079 INNETRO

CERTIFICATION NAME PLATES

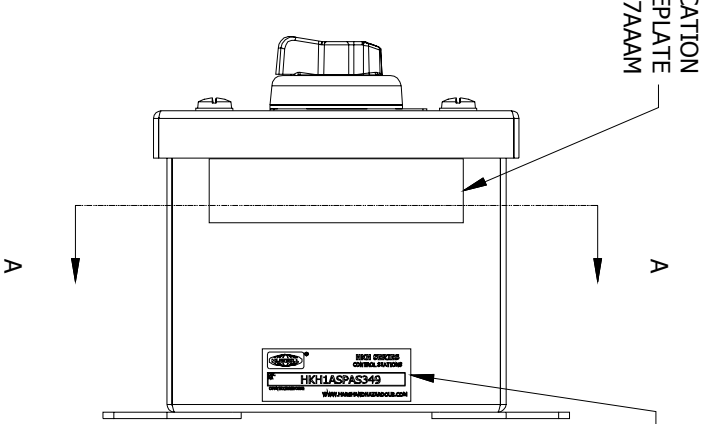
INDUSTRIAL CONTROL EQUIPMENT FOR USE IN ZONE CLASSIFIED HAZ. LOCs.
CLASS I, ZONE 1, AEx de IIC T6...T4 Gb; Ex de IIC T6...T4 Gb
ZONE 2I, AEx tb IIC T85°C...T135°C Db IP66; Ex tb IIC T85°C...T135°C Db IP66
CLASS I, DIV.2, GRPS. A,B,C,D; CLASS II, DIV.1, GRPS. E,F,G (CANADA ONLY)
CLASS II, DIV.2, GROUPS E,F,G; CLASS III
CLASS III, TYPE 3/4/4X/12/13, -50°C STAs+60°C



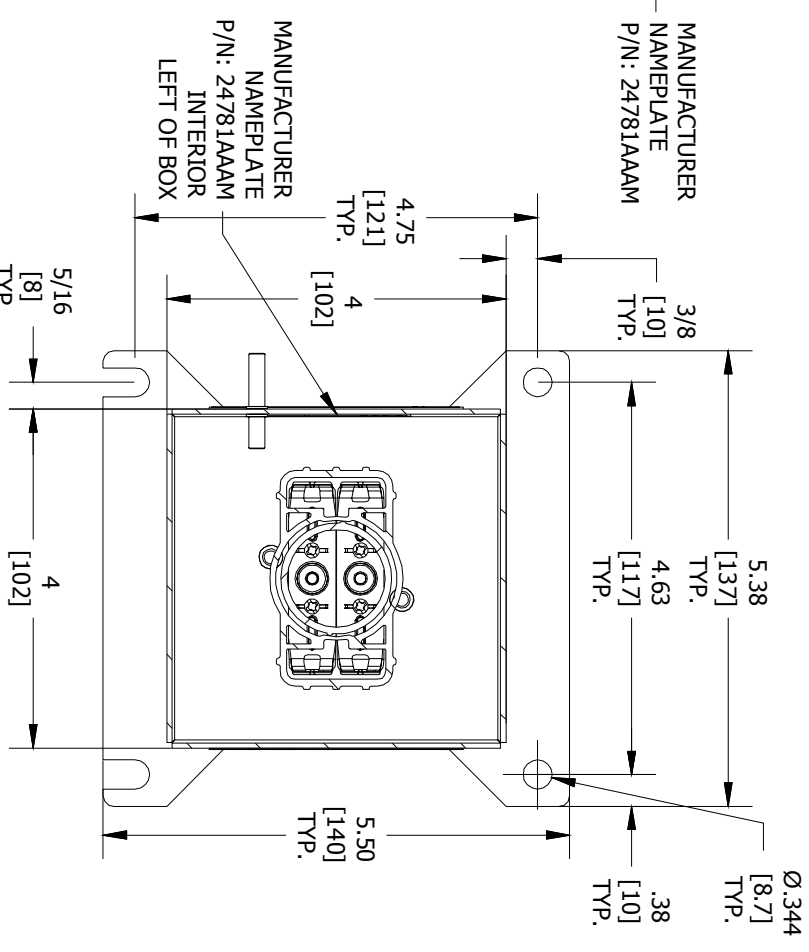
LEFT SIDE VIEW



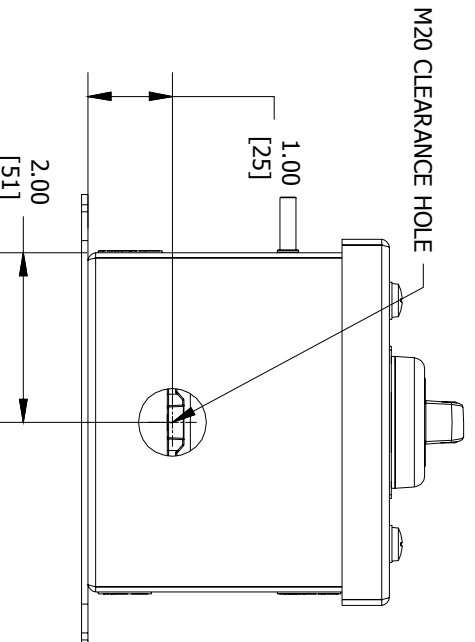
FRONT VIEW



RIGHT SIDE VIEW



SECTION A-A VIEW



BOTTOM VIEW

COMMENT:

SGN:

DATE:

ACCEPTANCE:

DRAWN BY:

DATE:

DWG NUMBER:

HUB/GLAND:

ITEM:

CODE 1: APPROVED (NO COMMENTS)

CODE 2: APPROVED FOR MANUFACTURING

CODE 3: NOT APPROVED RE-SUBMIT

CODE 4: FOR INFORMATION ONLY

PR

09-28-2016

SALES/QUOTE NO.:

N/A

N/A

WITH COMMENTS TO BE INCORPORATED

WITH COMMENTS TO BE INCORPORATED

WITH COMMENTS TO BE INCORPORATED

WITH COMMENTS TO BE INCORPORATED

TITLE:

HKH MODIFIED ENCLOSURE

HKH1ASPAS349

NONE

N/A

WWW.HARSHANDHAZARDOUS.COM

WWW.HARSHANDHAZARDOUS.COM

WWW.HARSHANDHAZARDOUS.COM

WWW.HARSHANDHAZARDOUS.COM

WWW.HARSHANDHAZARDOUS.COM

WWW.HARSHANDHAZARDOUS.COM

WWW.HARSHANDHAZARDOUS.COM

WWW.HARSHANDHAZARDOUS.COM

WWW.HARSHANDHAZARDOUS.COM

MFG. NAME PLATE (REF.)

MFG. NAME PLATE (REF.)

MFG. NAME PLATE (REF.)

MFG. NAME PLATE (REF.)

MFG. NAME PLATE (REF.)

MFG. NAME PLATE (REF.)

MFG. NAME PLATE (REF.)

MFG. NAME PLATE (REF.)

MFG. NAME PLATE (REF.)

REVISION

REVISION

REVISION

REVISION

REVISION

REVISION

REVISION

REVISION

REVISION

REVISION

REVISION

REVISION

REVISION

REVISION

REVISION

REVISION

REVISION

REVISION

REVISION

REVISION

REVISION

REVISION

REVISION

REVISION

REVISION

REVISION

REVISION

ENTRY HUB/GLAND SELECTION CHART*

ENTRY NO. HUB/GLAND:

ENTRY 1 NONE

*HUBS & CABLE GLANDS ARE SHIPPED WITH ENCLOSURE

ENTRY HUB/GLAND SELECTION CHART*

ENTRY NO. HUB/GLAND:

ENTRY 1 NONE

*HUBS & CABLE GLANDS ARE SHIPPED WITH ENCLOSURE

ENTRY HUB/GLAND SELECTION CHART*

ENTRY NO. HUB/GLAND:

ENTRY 1 NONE

*HUBS & CABLE GLANDS ARE SHIPPED WITH ENCLOSURE

ENTRY HUB/GLAND SELECTION CHART*

ENTRY NO. HUB/GLAND:

ENTRY 1 NONE

*HUBS & CABLE GLANDS ARE SHIPPED WITH ENCLOSURE

ENTRY HUB/GLAND SELECTION CHART*

ENTRY NO. HUB/GLAND:

ENTRY 1 NONE

*HUBS & CABLE GLANDS ARE SHIPPED WITH ENCLOSURE

ENTRY HUB/GLAND SELECTION CHART*

ENTRY NO. HUB/GLAND:

ENTRY 1 NONE

*HUBS & CABLE GLANDS ARE SHIPPED WITH ENCLOSURE

ENTRY HUB/GLAND SELECTION CHART*

ENTRY NO. HUB/GLAND:

ENTRY 1 NONE

*HUBS & CABLE GLANDS ARE SHIPPED WITH ENCLOSURE

ENTRY HUB/GLAND SELECTION CHART*

ENTRY NO. HUB/GLAND:

ENTRY 1 NONE

*HUBS & CABLE GLANDS ARE SHIPPED WITH ENCLOSURE

ENTRY HUB/GLAND SELECTION CHART*

ENTRY NO. HUB/GLAND:

ENTRY 1 NONE

*HUBS & CABLE GLANDS ARE SHIPPED WITH ENCLOSURE

ENTRY HUB/GLAND SELECTION CHART*

ENTRY NO. HUB/GLAND:

ENTRY 1 NONE

*HUBS & CABLE GLANDS ARE SHIPPED WITH ENCLOSURE

ENTRY HUB/GLAND SELECTION CHART*

ENTRY NO. HUB/GLAND:

ENTRY 1 NONE

*HUBS & CABLE GLANDS ARE SHIPPED WITH ENCLOSURE

ENTRY HUB/GLAND SELECTION CHART*

ENTRY NO. HUB/GLAND:

ENTRY 1 NONE

*HUBS & CABLE GLANDS ARE SHIPPED WITH ENCLOSURE

ENTRY HUB/GLAND SELECTION CHART*

ENTRY NO. HUB/GLAND:

ENTRY 1 NONE

*HUBS & CABLE GLANDS ARE SHIPPED WITH ENCLOSURE

ENTRY HUB/GLAND SELECTION CHART*

ENTRY NO. HUB/GLAND:

ENTRY 1 NONE

*HUBS & CABLE GLANDS ARE SHIPPED WITH ENCLOSURE

ENTRY HUB/GLAND SELECTION CHART*

ENTRY NO. HUB/GLAND:

ENTRY 1 NONE

*HUBS & CABLE GLANDS ARE SHIPPED WITH ENCLOSURE

ENTRY HUB/GLAND SELECTION CHART*

ENTRY NO. HUB/GLAND:

ENTRY 1 NONE

*HUBS & CABLE GLANDS ARE SHIPPED WITH ENCLOSURE

ENTRY HUB/GLAND SELECTION CHART*

ENTRY NO. HUB/GLAND:

ENTRY 1 NONE

*HUBS & CABLE GLANDS ARE SHIPPED WITH ENCLOSURE

ENTRY HUB/GLAND SELECTION CHART*

ENTRY NO. HUB/GLAND:

ENTRY 1 NONE

*HUBS & CABLE GLANDS ARE SHIPPED WITH ENCLOSURE

ENTRY HUB/GLAND SELECTION CHART*

ENTRY NO. HUB/GLAND:

ENTRY 1 NONE

*HUBS & CABLE GLANDS ARE SHIPPED WITH ENCLOSURE

ENTRY HUB/GLAND SELECTION CHART*

ENTRY NO. HUB/GLAND:

ENTRY 1 NONE

*HUBS & CABLE GLANDS ARE SHIPPED WITH ENCLOSURE

ENTRY HUB/GLAND SELECTION CHART*

ENTRY NO. HUB/GLAND:

ENTRY 1 NONE

*HUBS & CABLE GLANDS ARE SHIPPED WITH ENCLOSURE

ENTRY HUB/GLAND SELECTION CHART*

ENTRY NO. HUB/GLAND:

ENTRY 1 NONE

*HUBS & CABLE GLANDS ARE SHIPPED WITH ENCLOSURE

ENTRY HUB/GLAND SELECTION CHART*

ENTRY NO. HUB/GLAND:

ENTRY 1 NONE

*HUBS & CABLE GLANDS ARE SHIPPED WITH ENCLOSURE

ENTRY HUB/GLAND SELECTION CHART*

ENTRY NO. HUB/GLAND:

ENTRY 1 NONE

*HUBS & CABLE GLANDS ARE SHIPPED WITH ENCLOSURE

ENTRY HUB/GLAND SELECTION CHART*

ENTRY NO. HUB/GLAND:

ENTRY 1 NONE

*HUBS & CABLE GLANDS ARE SHIPPED WITH ENCLOSURE

ENTRY HUB/GLAND SELECTION CHART*

ENTRY NO. HUB/GLAND:

ENTRY 1 NONE

*HUBS & CABLE GLANDS ARE SHIPPED WITH ENCLOSURE

ENTRY HUB/GLAND SELECTION CHART*

ENTRY NO. HUB/GLAND:

ENTRY 1 NONE

*HUBS & CABLE GLANDS ARE SHIPPED WITH ENCLOSURE

ENTRY HUB/GLAND SELECTION CHART*

ENTRY NO. HUB/GLAND:

ENTRY 1 NONE

*HUBS & CABLE GLANDS ARE SHIPPED WITH ENCLOSURE

ENTRY HUB/GLAND SELECTION CHART*

ENTRY NO. HUB/GLAND:

ENTRY 1 NONE

*HUBS & CABLE GLANDS ARE SHIPPED WITH ENCLOSURE

ENTRY HUB/GLAND SELECTION CHART*

ENTRY NO. HUB/GLAND:

ENTRY 1 NONE

*HUBS & CABLE GLANDS ARE SHIPPED WITH ENCLOSURE

ENTRY HUB/GLAND SELECTION CHART*

ENTRY NO. HUB/GLAND:

ENTRY 1 NONE

*HUBS & CABLE GLANDS ARE SHIPPED WITH ENCLOSURE

ENTRY HUB/GLAND SELECTION CHART*

ENTRY NO. HUB/GLAND:

ENTRY 1 NONE

*HUBS & CABLE GLANDS ARE SHIPPED WITH ENCLOSURE

ENTRY HUB/GLAND SELECTION CHART*

ENTRY NO. HUB/GLAND:

ENTRY 1 NONE

*HUBS & CABLE GLANDS ARE SHIPPED WITH ENCLOSURE

ENTRY HUB/GLAND SELECTION CHART*

ENTRY NO. HUB/GLAND:

ENTRY 1 NONE

*HUBS & CABLE GLANDS ARE SHIPPED WITH ENCLOSURE

ENTRY HUB/GLAND SELECTION CHART*

ENTRY NO. HUB/GLAND:

ENTRY 1 NONE

*HUBS & CABLE GLANDS ARE SHIPPED WITH ENCLOSURE

ENTRY HUB/GLAND SELECTION CHART*

ENTRY NO. HUB/GLAND:

ENTRY 1 NONE

*HUBS & CABLE GLANDS ARE SHIPPED WITH ENCLOSURE

ENTRY HUB/GLAND SELECTION CHART*

ENTRY NO. HUB/GLAND:

ENTRY 1 NONE

*HUBS & CABLE GLANDS ARE SHIPPED WITH ENCLOSURE

ENTRY HUB/GLAND SELECTION CHART*

ENTRY NO. HUB/GLAND:

ENTRY 1 NONE

*HUBS & CABLE GLANDS ARE SHIPPED WITH ENCLOSURE

ENTRY HUB/GLAND SELECTION CHART*

ENTRY NO. HUB/GLAND:

ENTRY 1 NONE

*HUBS & CABLE GLANDS ARE SHIPPED WITH ENCLOSURE

ENTRY HUB/GLAND SELECTION CHART*

ENTRY NO. HUB/GLAND:

ENTRY 1 NONE

*HUBS & CABLE GLANDS ARE SHIPPED WITH ENCLOSURE

ENTRY HUB/GLAND SELECTION CHART*

ENTRY NO. HUB/GLAND:

ENTRY 1 NONE

*HUBS & CABLE GLANDS ARE SHIPPED WITH ENCLOSURE

ENTRY HUB/GLAND SELECTION CHART*

ENTRY NO. HUB/GLAND:

ENTRY 1 NONE

*HUBS & CABLE GLANDS ARE SHIPPED WITH ENCLOSURE

ENTRY HUB/GLAND SELECTION CHART*

ENTRY NO. HUB/GLAND:

ENTRY 1 NONE

*HUBS & CABLE GLANDS ARE SHIPPED WITH ENCLOSURE

ENTRY HUB/GLAND SELECTION CHART*