

4

3

2

1

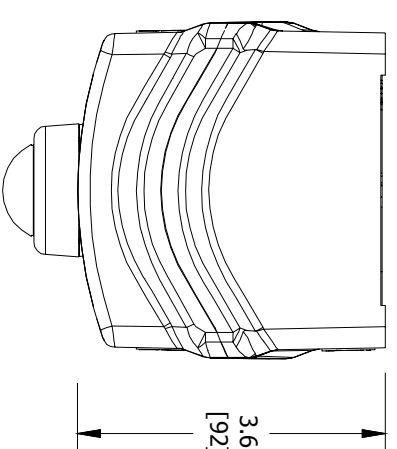
## ENCLOSURE INFORMATION

P/N:	2319/CBAM	DESCRIPTION:	BOX PLASTIC 1b, 3/4 NPT BOTTOM
COVER:	2319BBAAB		COVER PLASTIC 1b, ONE DEVICE
MOUNT METHOD:	2320BBAAB		ASSY, DIN RAIL HKH 2 TIER

PILOT LIGHT RATINGS:  
LIGHT EMITTING DIODE  
12-254 VAC/VDC LED  
0.6WTERMINALS RATED FOR 1-2 CONDUCTORS  
#22-10 AWG. (0.5-4mm<sup>2</sup>)

## DEVICE 1 ASSEMBLY (1F)

P/N:	HKHPLR	DESCRIPTION:	PILOT LIGHT RED LENS ASSEMBLY
LGND. PLATE:	23225AAAB		Blank
LOCKOUT ACQY:	N/A		N/A
CONTACT 1:	HKHPLD		PILOT LIGHT MOD. DM



TOP VIEW

 Harsh & Hazardous www.HARSHANDHAZARDOUS.COM	CAT. NO.	<b>HKHMOD Series</b>	DATE CODE 5/N
	 CLASS I, ZONE 1, AEX de IIC T6...T4 Gb CLASS I, ZONE 1, AEX de IIC T6...T4 Gb ZONE 21, AEX tb IIIC T85°C...T135°C Db IP66 CLASS I, DIV.2, GRP5, A,B,C,D; CLASS II, DIV.1, GRP5, E,F,G (CANADA ONLY) CLASS II, DIV.2, GROUP5 E,F,G; CLASS III CLASS III, TYPE 3/4/4X/12/13; -50°C ≤T <sub>a</sub> ≤+60°C	 DEMKO 15 ATEX 1405X Ex de IIC T6...T4 Gb Ex tb IIIC T85°C...T135°C Db IP66 IECEx UL 15.0054X (-50°C ≤T <sub>a</sub> ≤+60°C (-40°C ≤T <sub>a</sub> ≤+55°C WITH AMMETER)	ST. LOUIS, MO 63113 SEE IOM FORM K1466 & K1470 FOR T-CODES AND FOR ELECTRICAL RATINGS.  Seguranca  IEX 16.0079 INVIETRO LISTED A243

TR RU C-US-MIO62.B.04167 IEX 16.0079 INVIETRO

DATE CODE 5/N

CAT. NO. **HKHMOD Series**

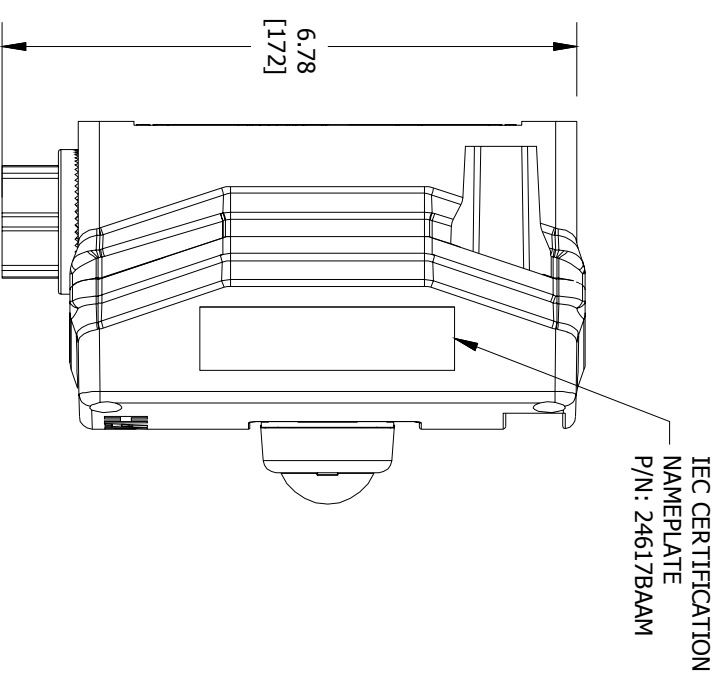
www.HARSHANDHAZARDOUS.COM

ST. LOUIS, MO 63113

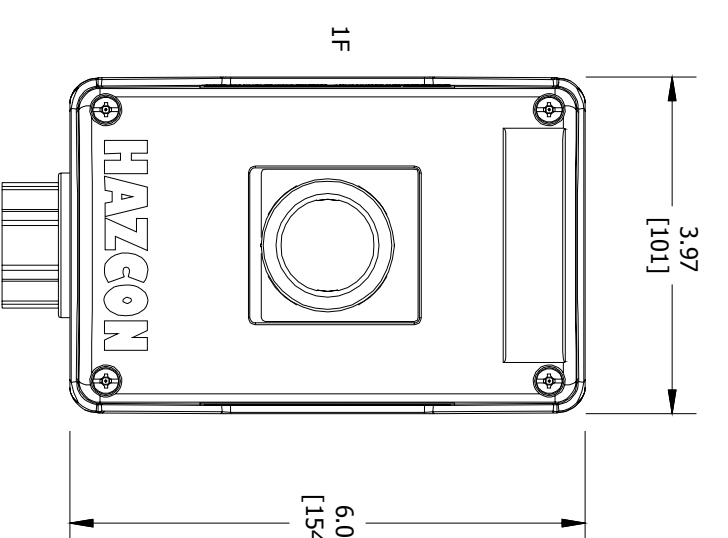
INDUSTRIAL CONTROL EQUIPMENT FOR USE IN ZONE CLASSIFIED HAZ. LOCS.  
CLASS I, ZONE 1, AEX de IIC T6...T4 Gb; Ex de IIC T6...T4 Gb  
CLASS I, ZONE 1, AEX de IIC T6...T4 Gb; Ex de IIC T6...T4 Gb  
CLASS I, DIV.2, GRP5, A,B,C,D; CLASS II, DIV.1, GRP5, E,F,G (CANADA ONLY)  
CLASS II, DIV.2, GROUP5 E,F,G; CLASS III  
CLASS III, TYPE 3/4/4X/12/13; -50°C ≤T<sub>a</sub> ≤+60°C

SEE IOM FORM K1466 FOR ELECTRICAL RATINGS.

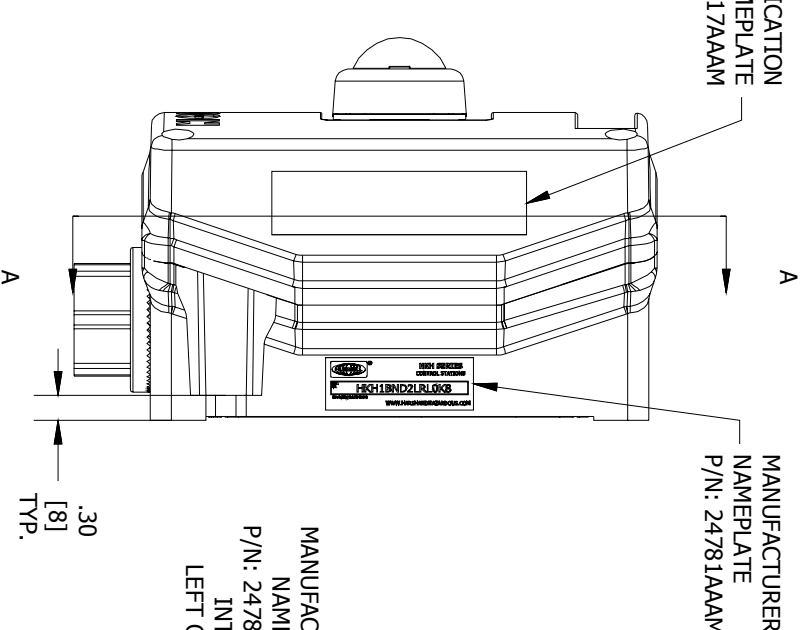
## CERTIFICATION NAME PLATES



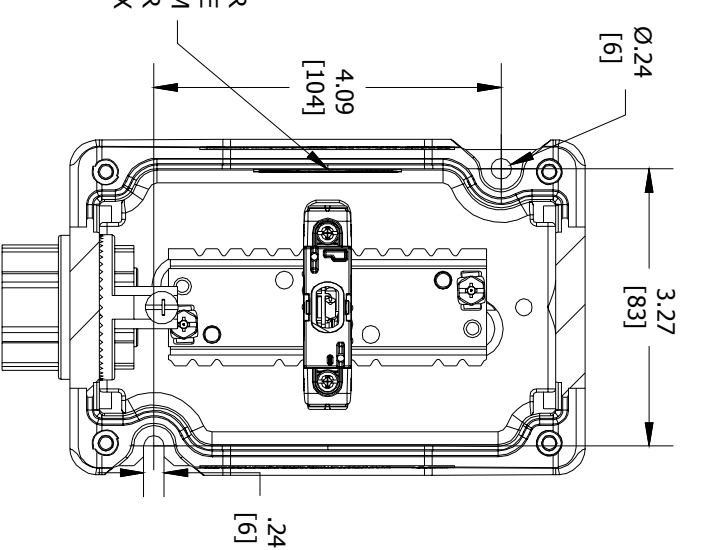
LEFT SIDE VIEW



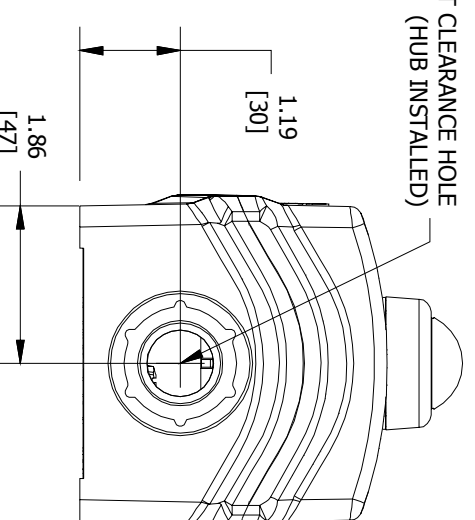
FRONT VIEW



RIGHT SIDE VIEW



SECTION A-A VIEW



BOTTOM VIEW

ENTRY HUB/GLAND SELECTION CHART*	
ENTRY NO.	HUB/GLAND:
ENTRY 1	K8: WH-255G

\*HUBS &amp; CABLE GLANDS ARE SHIPPED WITH ENCLOSURE

COMMENT:

SGN:

DATE:

ACCEPTANCE:

DRAWN BY:

DATE:

DWG NUMBER:

A

CODE 1: APPROVED (NO COMMENTS)

CODE 2: APPROVED FOR MANUFACTURING

CODE 3: NOT APPROVED RE-SUBMIT

CODE 4: FOR INFORMATION ONLY

TITLE:

PR

SALES/QUOTE NO.:

A

WITH COMMENTS TO BE INCORPORATED

WITH COMMENTS TO BE INCORPORATED

WITH COMMENTS TO BE INCORPORATED

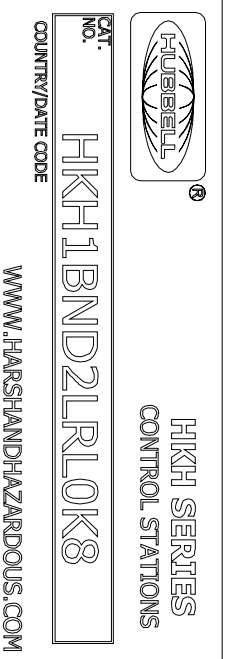
WITH COMMENTS TO BE INCORPORATED

WITH COMMENTS TO BE INCORPORATED

WITH COMMENTS TO BE INCORPORATED

WITH COMMENTS TO BE INCORPORATED

A



MFG. NAME PLATE (REF.)

REVISION

**KILLARK**

THIS DOCUMENT IS THE PROPERTY OF HUBBEL - KILLARK. IT IS LOANED TO YOU AND MUST NOT BE USED IN ANY WAY DETRIMENTAL TO THE INTEREST HUBBEL - KILLARK.

HKH MODIFIED ENCLOSURE (HKH1BND2LRLOK8)

SHEET 1 OF 1

A

B

C

D

A

B

C

D

4

3

2

1