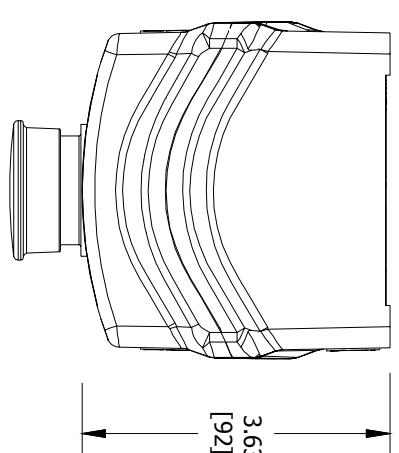


ENCLOSURE INFORMATION	
P/N:	DESCRIPTION:
2319/CBAM	BOX PLASTIC 1b, 3/4 NPT BOTTOM
2319/BAAB	COVER PLASTIC 1b, ONE DEVICE
2320/BAAB	ASSY, DIN RAIL HKH 2 TIER
DEVICE 1 ASSEMBLY (1F)	
P/N:	DESCRIPTION:
HKHBMNG	MOMENTARY PUSHBUTTON, MUSHROOM HD, GRN
2322/BAAB	START
LOCKOUT ACY:	N/A
CONTACT 1:	CONTACT BLCK, FACT SEALED N.O. DRM, 20A
CONTACT 2:	CONTACT BLCK, FACT SEALED N.C. DRM, 20A

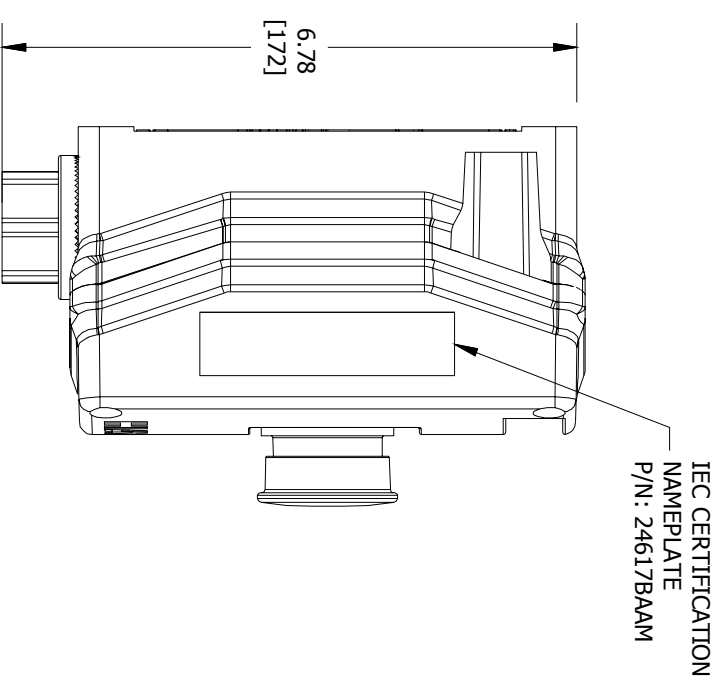
CONTACT BLOCK RATINGS:
690 VAC, 20A, 50-60
60 VDC, 5A, 110VDC, 1.5A
1/2 HP @ 120 VAC, 1 HP @ 208/240/277VAC
NEMA A600/P600 - PILOT DUTY
350VAC, 20A - TUNGSTEN
AC690V 16A AC-12
AC230V 16A AC-15
50-60HZ
DC60V 5A DC-13
TERMINALS RATED FOR 1-2 CONDUCTORS
#22-10 AWG. (0.5-4mm²)



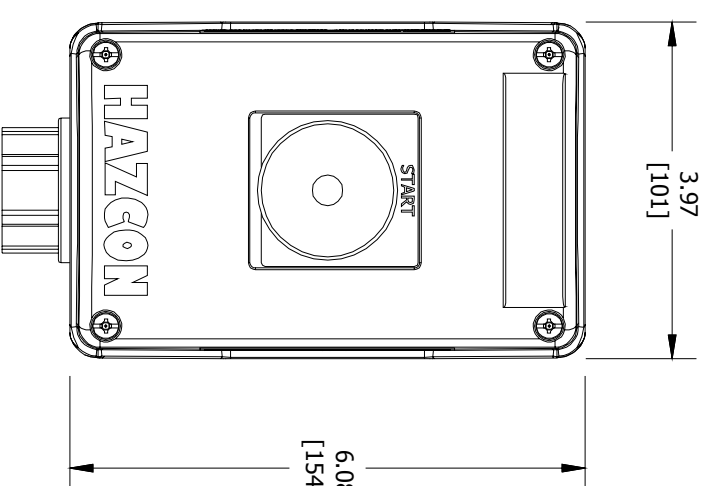
TOP VIEW

 HARSH & HAZARDOUS WWW.HARSHANDHAZARDOUS.COM	CAT. NO. HKHMOD Series	DATE CODE-S/N ST. LOUIS, MO 63113
	CAT. NO. HKHMOD Series	DATE CODE-S/N ST. LOUIS, MO 63113
INDUSTRIAL CONTROL EQUIPMENT FOR USE IN ZONE CLASSIFIED HAZ. LOCS. CLASS I, ZONE 1, AEX de IIC T6...T4 Gb; Ex de IIC T6...T4 Gb CLASS I, ZONE 1, AEX de IIC T6...T4 Gb; Ex de IIC T6...T4 Gb ZONE 21, AEx tb IIIC T85°C...T135°C Db IP66; Ex tb IIIC T85°C...T135°C Db IP66 CLASS I, DIV.2, GRPS. AB,C,D; CLASS II, DIV.1, GRPS. E,F,G (CANADA ONLY) CLASS II, DIV.2, GROUPS E,F,G; CLASS III CLASS III: TYPE 3/4/4X/12/13; -50°C ≤T _{as} +60°C (-40°C ≤T _{as} +55°C WITH AMMETER)		
SEE IOM FORM K1466 FOR ELECTRICAL RATINGS.		

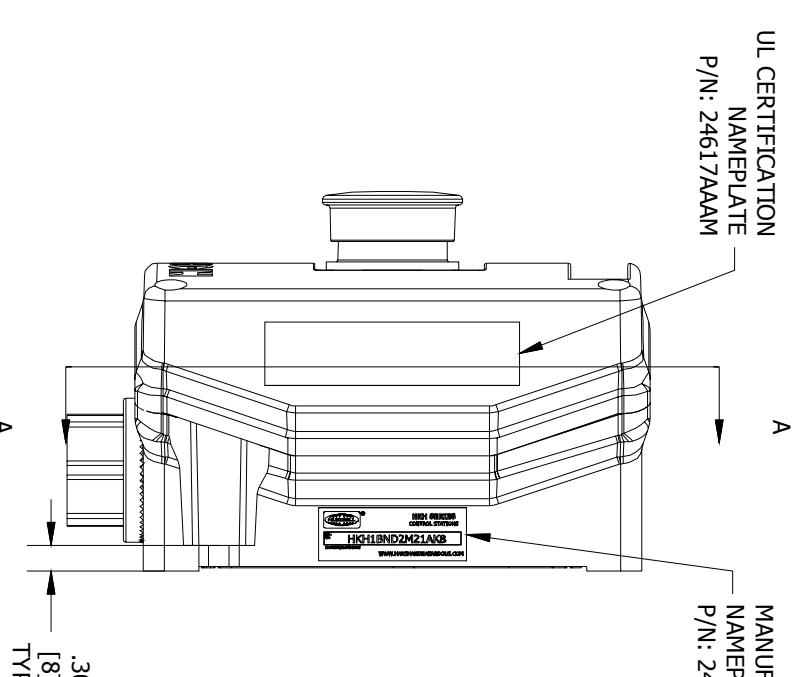
CERTIFICATION NAME PLATES



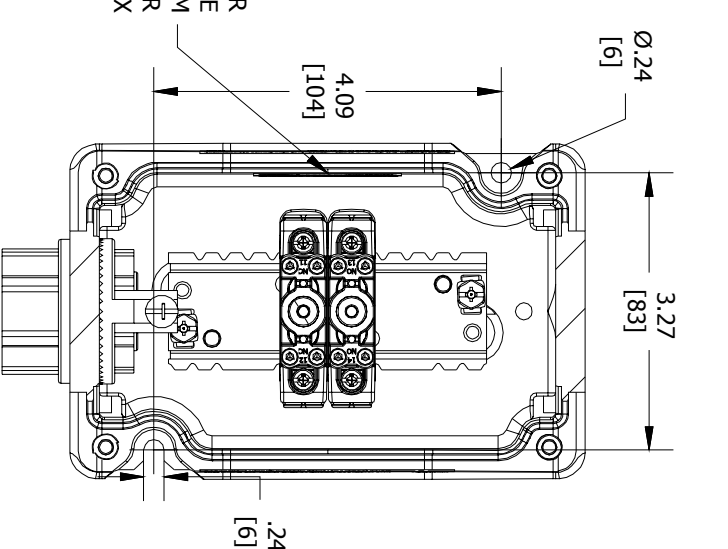
LEFT SIDE VIEW



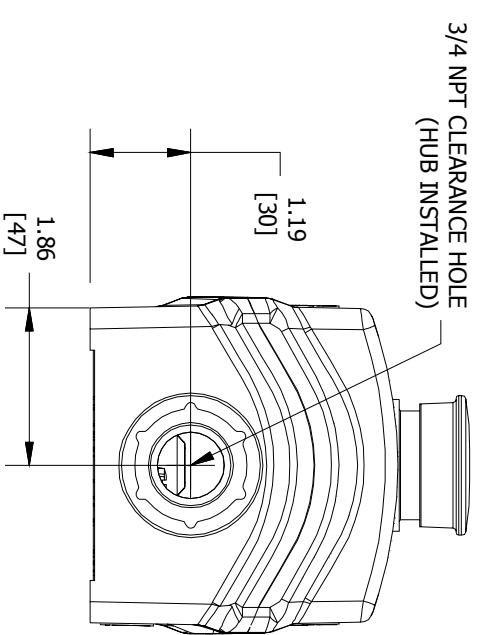
FRONT VIEW



RIGHT SIDE VIEW



SECTION A-A VIEW



BOTTOM VIEW

ENTRY HUB/GLAND SELECTION CHART*

ENTRY NO.	HUB/GLAND:
ENTRY 1	K8: WH-2SSG

*HUBS & CABLE GLANDS ARE SHIPPED WITH ENCLOSURE

HKH SERIES
CONTROL STATIONS

CONTROL NO.
HKH1BND2M21AK8

COUNTY/DATE CODE
WWW.HARSHANDHAZARDOUS.COM

MFG. NAME PLATE (REF.)

COMMENT:	SGN:	DATE:	ACCEPTANCE:	DRAWN BY:	DATE:	DWG NUMBER:	ITEM:
			CODE 1: APPROVED (NO COMMENTS)	PR	08/25/2016	HKH1BND2M21AK8	N/A
			CODE 2: APPROVED FOR MANUFACTURING WITH COMMENTS TO BE INCORPORATED				
			CODE 3: NOT APPROVED RE-SUBMIT				
			CODE 4: FOR INFORMATION ONLY				

REVISION

KILLARK
THIS DOCUMENT IS THE PROPERTY OF HUBBELL - KILLARK. IT IS LOANED TO YOU AND MUST NOT BE USED IN ANY WAY DETRIMENTAL TO THE INTEREST HUBBELL - KILLARK.

HKH MODIFIED ENCLOSURE
(HKH1BND2M21AK8)

SHEET 1 OF 1