

4

3

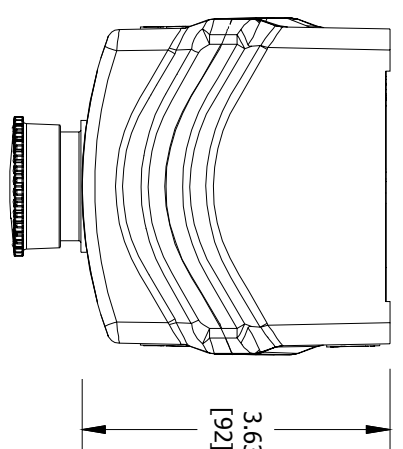
2

1

ENCLOSURE INFORMATION	
P/N:	DESCRIPTION:
2319/CBAM	BOX PLASTIC 1b, 3/4 NPT BOTTOM
2319BBAAB	COVER PLASTIC 1b, ONE DEVICE
23203BBAAB	ASSY, DIN RAIL HKH 2 TIER
MOUNT METHOD:	
DEVICE 1 ASSEMBLY (1F)	
P/N:	DESCRIPTION:
HKHB1TMTMR	MAINTAINED P. B. TWIST REL, MUSH HD, RED
LGND. PLATE:	EMERGENCY STOP
LOCKOUT ACQY:	N/A
CONTACT 1:	CONTACT BLCK, FACT SEALED N.O. DRM, 20A
CONTACT 2:	CONTACT BLCK, FACT SEALED N.C. DRM, 20A

CONTACT BLOCK RATINGS:
 690 VAC, 20A, 50-60
 60 VDC, 5A, 110VDC, 1.5A

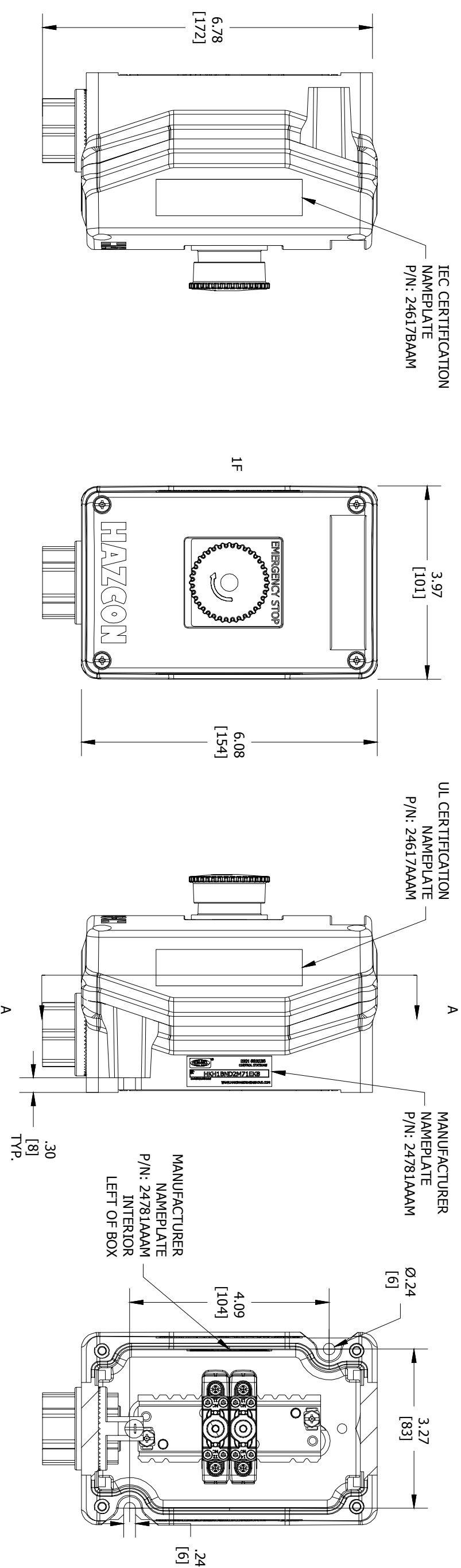
1/2 HP @ 120 VAC, 1 HP @ 208/240/277VAC
 NEMA A600/P600 - PILOT DUTY
 350VAC, 20A - TUNGSTEN
 AC690V 16A AC-12
 AC230V 16A AC-15
 50-60HZ
 DC60V 5A DC-13
 TERMINALS RATED FOR 1-2 CONDUCTORS
 #22-10 AWG. (0.5-4mm²)



TOP VIEW

 Harsh & Hazardous www.harsbandhazardous.com	CAT. NO. 0539 H2G Ex de IIC T6...T4 Gb 0539 H2D Ex tb IIC T85°C...T135°C Db IP66 DENKO 15 ATEX 1405X Ex de IIC T6...T4 Gb; Ex tb IIC T85°C...T135°C Db IP66 IECEx UL 15 0054X -50°C STAs+60°C (-40°C STAs+55°C WITH AMMETER)	DATE CODE-S/N TR RU C-US.M1062.B.04167 IEX 16.0079 INMETRO
	CAT. NO. HKHMOD Series SEE IOM FORM K1466 & K1470 FOR T-CODES AND FOR ELECTRICAL RATINGS.	 LISTED A243

CERTIFICATION NAME PLATES

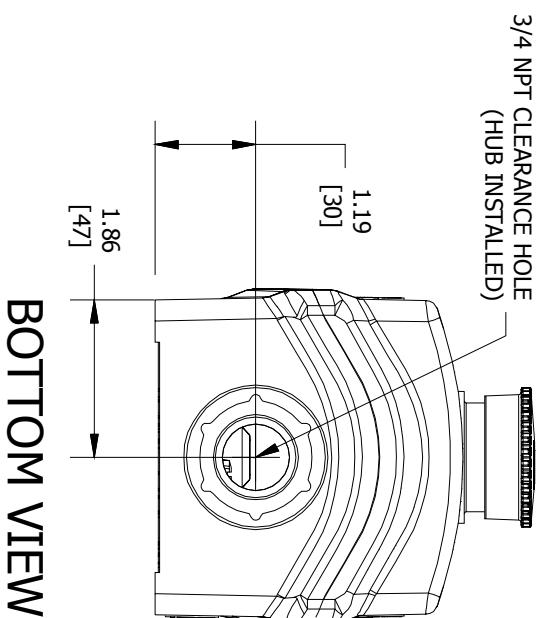


LEFT SIDE VIEW

FRONT VIEW

RIGHT SIDE VIEW

SECTION A-A VIEW



BOTTOM VIEW

ENTRY HUB/GLAND SELECTION CHART*	
ENTRY NO.	HUB/GLAND:
ENTRY 1	K8: WH-2SSG

*HUBS & CABLE GLANDS ARE SHIPPED WITH ENCLOSURE

COMMENT:

ACCEPTANCE:

DRAWN BY:

DATE:

DWG NUMBER:

ITEM:

SGN:

CODE 1: APPROVED (NO COMMENTS)

PR

09/14/2016

HKH1BND2M71EK8

N/A

DATE:

CODE 2: APPROVED FOR MANUFACTURING WITH COMMENTS TO BE INCORPORATED

PR

09/14/2016

SALES/QUOTE NO.:

N/A

CODE 3: NOT APPROVED RE-SUBMIT

CODE 4: FOR INFORMATION ONLY

TITLE:

HKH MODIFIED ENCLOSURE

N/A

N/A

REVISION

REVISION

REVISION

REVISION

REVISION

REVISION

MFG. NAME PLATE (REF.)

REVISION

REVISION

REVISION

REVISION

REVISION

REVISION

REVISION

REVISION

REVISION

REVISION

REVISION

REVISION

4

3

2

1



NO. HKH1BND2M71EK8
 COUNT/DATE CODE
 www.harsbandhazardous.com

4

3

2

1

COMMENT:

ACCEPTANCE:

DRAWN BY:

DATE:

DWG NUMBER:

ITEM:

SGN:

CODE 1: APPROVED (NO COMMENTS)

PR

09/14/2016

HKH1BND2M71EK8

N/A

DATE:

CODE 2: APPROVED FOR MANUFACTURING WITH COMMENTS TO BE INCORPORATED

PR

09/14/2016

SALES/QUOTE NO.:

N/A

CODE 3: NOT APPROVED RE-SUBMIT

CODE 4: FOR INFORMATION ONLY

TITLE:

HKH MODIFIED ENCLOSURE

N/A

N/A

REVISION

REVISION

REVISION

REVISION

REVISION

REVISION

MFG. NAME PLATE (REF.)

REVISION

REVISION

REVISION

REVISION

REVISION

REVISION

REVISION

REVISION

REVISION

REVISION

REVISION

4

3

2

1