

4

3

2

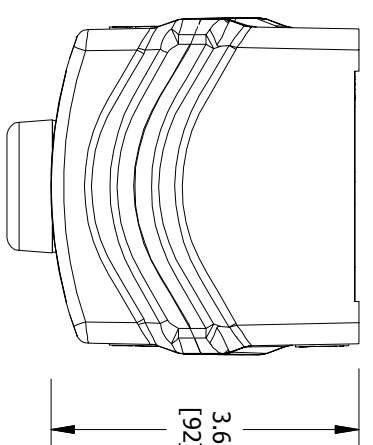
1

ENCLOSURE INFORMATION	
P/N:	DESCRIPTION:
2319/CBAM	BOX PLASTIC 1b, 3/4 NPT BOTTOM
2319/BAAB	COVER PLASTIC 1b, ONE DEVICE
2320/BAAB	ASSY, DIN RAIL HKH 2 TIER
MOUNT METHOD:	
DEVICE 1 ASSEMBLY (1F)	
P/N:	DESCRIPTION:
HKHBMSS	PUSH BUTTON, MOM., START,(I),STOP(O),BLK
LGND. PLATE:	N/A
LOCKOUT ACCY:	N/A
CONTACT 1:	CONTACT BLCK, FACT SEALED N.O. DRM, 20A
CONTACT 2:	CONTACT BLCK, FACT SEALED N.C. DRM, 20A

CONTACT BLOCK RATINGS:
690 VAC, 20A, 50-60
60 VDC, 5A, 110VDC, 1.5A

1/2 HP @ 120 VAC, 1 HP @ 208/240/277VAC
NEMA A600/P600 - PILOT DUTY
350VAC, 20A - TUNGSTEN
AC690V 16A AC-12
AC230V 16A AC-15
50-60HZ
DC60V 5A DC-13
TERMINALS RATED FOR 1-2 CONDUCTORS
#22-10 AWG. (0.5-4mm²)

CONTACT BLOCK RATINGS:
690 VAC, 20A, 50-60
60 VDC, 5A, 110VDC, 1.5A

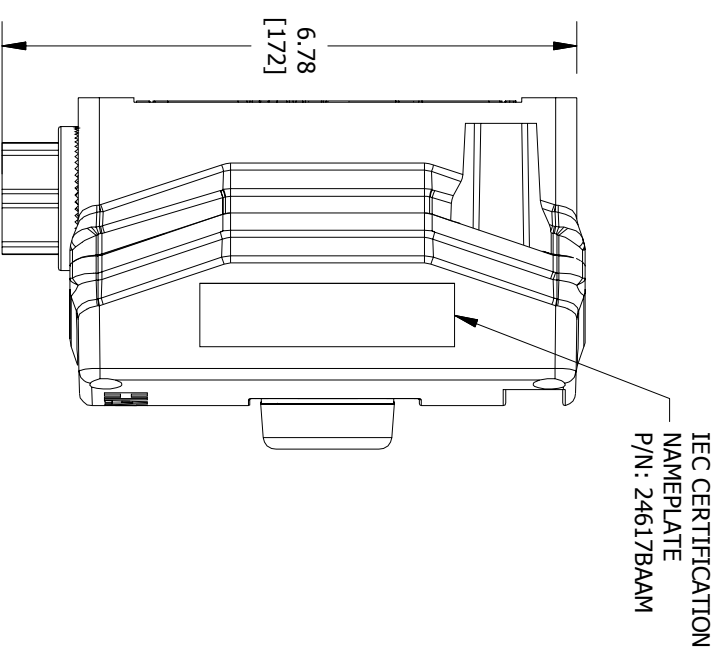


TOP VIEW

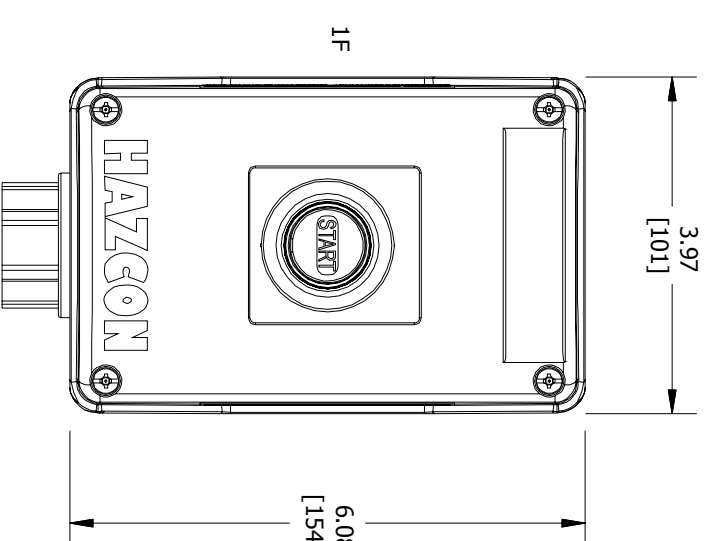
- *SUPPLIED WITH 7 COLORED INSERTS:
1. "STOP" (RED)
 2. "START" (GREEN)
 3. "I" (GREEN)
 4. "O" (RED)
 5. BLANK (BLACK)
 6. BLANK (GREEN)
 7. BLANK (RED)

CERTIFICATION NAME PLATES

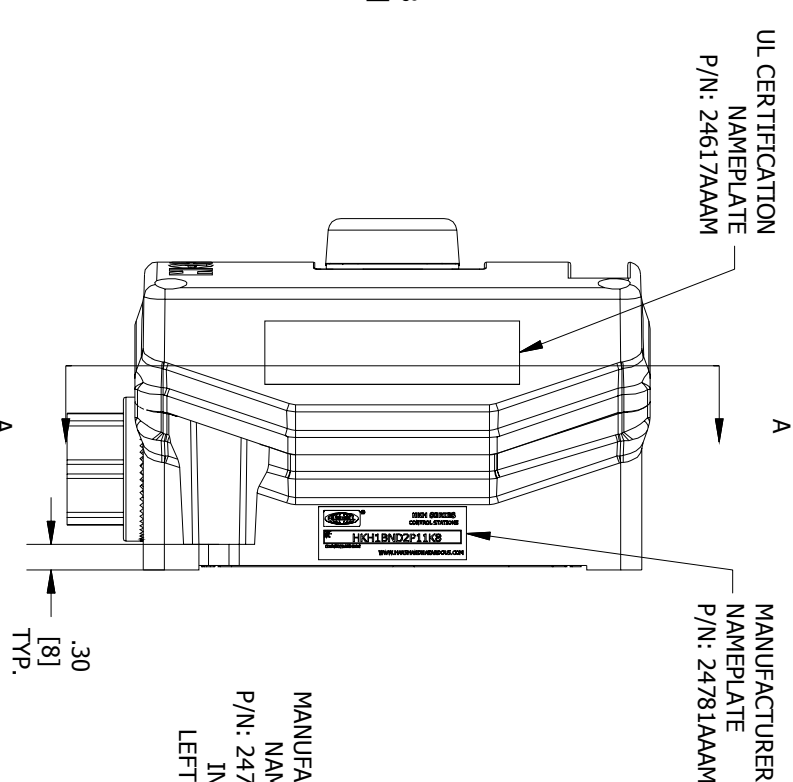
 Harsh & Hazardous WWW.HARSHANDHAZARDOUS.COM	CAT. NO.	HKHMOD Series	DATE CODE-S/N
	 INDUSTRIAL CONTROL EQUIPMENT FOR USE IN ZONE CLASSIFIED HAZ. LOCS. CLASS I, ZONE 1, AEx de IIC T6...T4 Gb; Ex de IIC T6...T4 Gb ZONE 21, AEx tb IIC T85°C...T135°C Db IP66; Ex tb IIC T85°C...T135°C Db IP66 CLASS I, DIV.2, GRPS. A,B,C,D; CLASS II, DIV.1, GRPS. E,F,G (CANADA ONLY) CLASS II, DIV.2, GROUPS E,F,G; CLASS III CLASS III; TYPE 3/4/4X/12/13; -50°C ≤Tas≤+60°C SEE IOM FORM K1466 FOR ELECTRICAL RATINGS.	 HKHMOD Series WWW.HARSHANDHAZARDOUS.COM ST. LOUIS, MO 63113	SEE IOM FORM K1466 & K1470 FOR T-CODES AND FOR ELECTRICAL RATINGS. ST. LOUIS, MO 63113



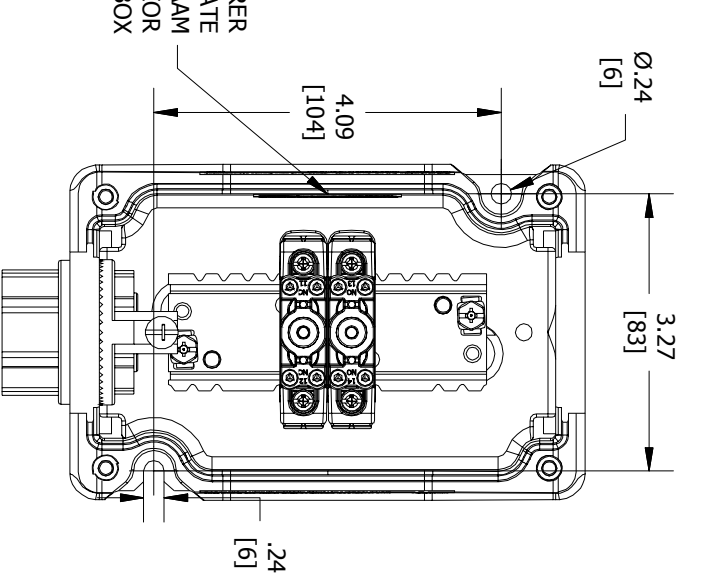
LEFT SIDE VIEW



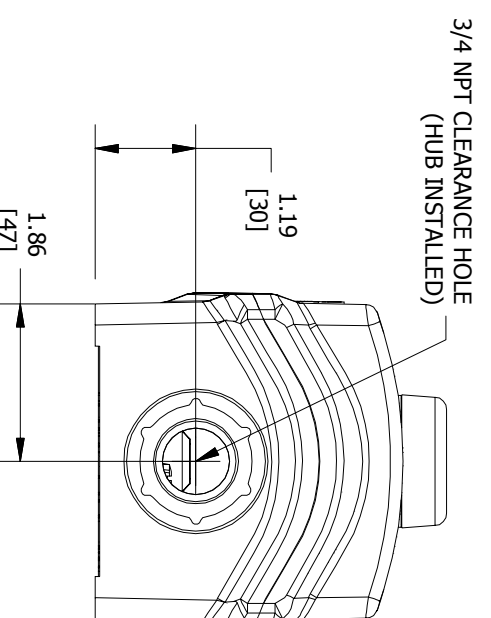
FRONT VIEW



RIGHT SIDE VIEW



SECTION A-A VIEW



BOTTOM VIEW

COMMENT:

SGN:

ACCEPTANCE:

DRAWN BY:

DATE:

DWG NUMBER:

ITEM:

COMMENT:

SGN:

ACCEPTANCE:

DRAWN BY:

DATE:

DWG NUMBER:

ITEM:

COMMENT:

SGN:

ACCEPTANCE:

DRAWN BY:

DATE:

DWG NUMBER:

ITEM:

COMMENT:

SGN:

ACCEPTANCE:

DRAWN BY:

DATE:

DWG NUMBER:

ITEM:

COMMENT:

SGN:

ACCEPTANCE:

DRAWN BY:

DATE:

DWG NUMBER:

ITEM:

COMMENT:

SGN:

ACCEPTANCE:

DRAWN BY:

DATE:

DWG NUMBER:

ITEM:

COMMENT:

SGN:

ACCEPTANCE:

DRAWN BY:

DATE:

DWG NUMBER:

ITEM:

ENTRY HUB/GLAND SELECTION CHART*	
ENTRY NO.	HUB/GLAND:
ENTRY 1	K8: WH-2SSG

*HUBS & CABLE GLANDS ARE SHIPPED WITH ENCLOSURE

 HKH SERIES CONTROL STATIONS WWW.HARSHANDHAZARDOUS.COM	CAT. NO.	HKH1BND2P11K8
	COUNTY/DATE CODE	

MFG. NAME PLATE (REF.)

4

A

3

2

1

REVISION



KILLARK

THIS DOCUMENT IS THE PROPERTY OF HUBBELL - KILLARK. IT IS LOANED TO YOU AND MUST NOT BE USED IN ANY WAY DETRIMENTAL TO THE INTEREST OF HUBBELL - KILLARK.

HKH MODIFIED ENCLOSURE (HKH1BND2P11K8)

SALES/QUOTE NO.:

N/A

SHEET 1 OF 1

A

B

C

D