

4

3

2

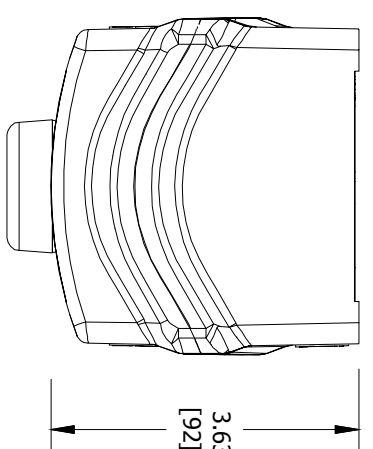
1

ENCLOSURE INFORMATION	
P/N:	2319/CBAM
DESCRIPTION:	BOX PLASTIC 1b, 3/4 NPT BOTTOM
COVER:	2319/GAAB
COVER PLASTIC HKH 1b, TWO DEVICE	
MOUNT METHOD:	2320/BAAB
ASSY, DIN RAIL HKH 2 TIER	
CONTACT BLOCK RATINGS: 690 VAC, 20A, 50-60 60 VDC, 5A, 110VDC, 1.5A	
1/2 HP @ 120 VAC, 1 HP @ 208/240/277VAC NEMA A600/P600 - PILOT DUTY 350VAC, 20A - TUNGSTEN AC690V 16A AC-12 AC230V 16A AC-15 50-60HZ DC60V 5A DC-13 TERMINALS RATED FOR 1-2 CONDUCTORS #22-10 AWG. (0.5-4mm <sup>2</sup> )	

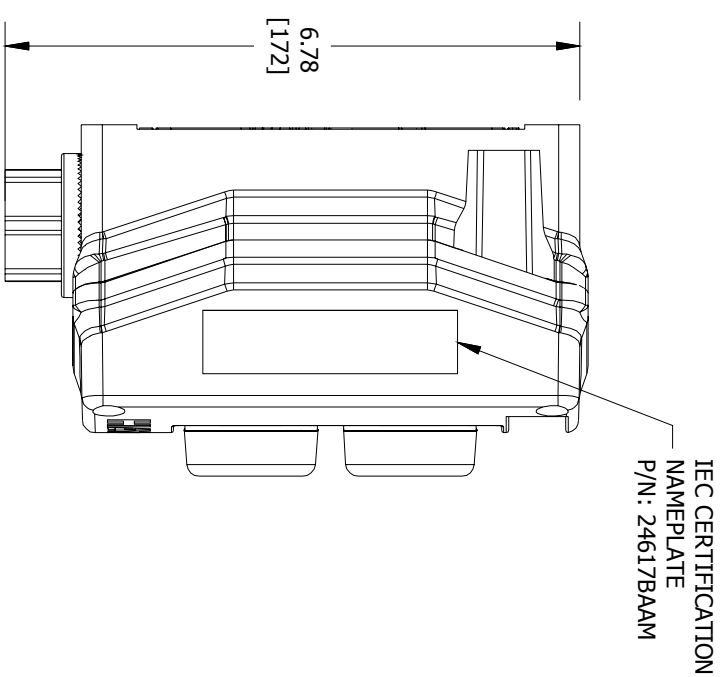
DEVICE 1 ASSEMBLY (1P)	
P/N:	HKHBMMS
DESCRIPTION:	PUSH BUTTON, MOM., START(I),STOP(O),BLK
LGND. PLATE:	N/A
LOCKOUT ACY:	N/A
CONTACT 1:	HKHNO20D
CONTACT BLACK, FACT SEALED N.O. DRM, 20A	
CONTACT 2:	HKHNC20D
CONTACT BLACK, FACT SEALED N.C. DRM, 20A	
DEVICE 2 ASSEMBLY (2P)	
P/N:	HKHBMMS
DESCRIPTION:	PUSH BUTTON, MOM., START(I),STOP(O),BLK
LGND. PLATE:	N/A
LOCKOUT ACY:	N/A
CONTACT 1:	HKHNO20D
CONTACT BLACK, FACT SEALED N.O. DRM, 20A	
CONTACT 2:	HKHNC20D
CONTACT BLACK, FACT SEALED N.C. DRM, 20A	

\*SUPPLIED WITH 7 COLORED INSERTS:

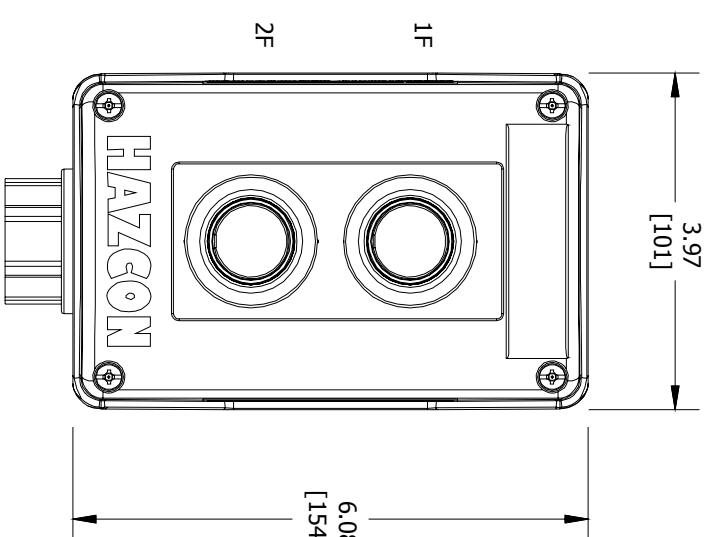
1. "STOP" (RED)
2. "START" (GREEN)
3. "I" (GREEN)
4. "O" (RED)
5. BLANK (BLACK)
6. BLANK (GREEN)
7. BLANK (RED)



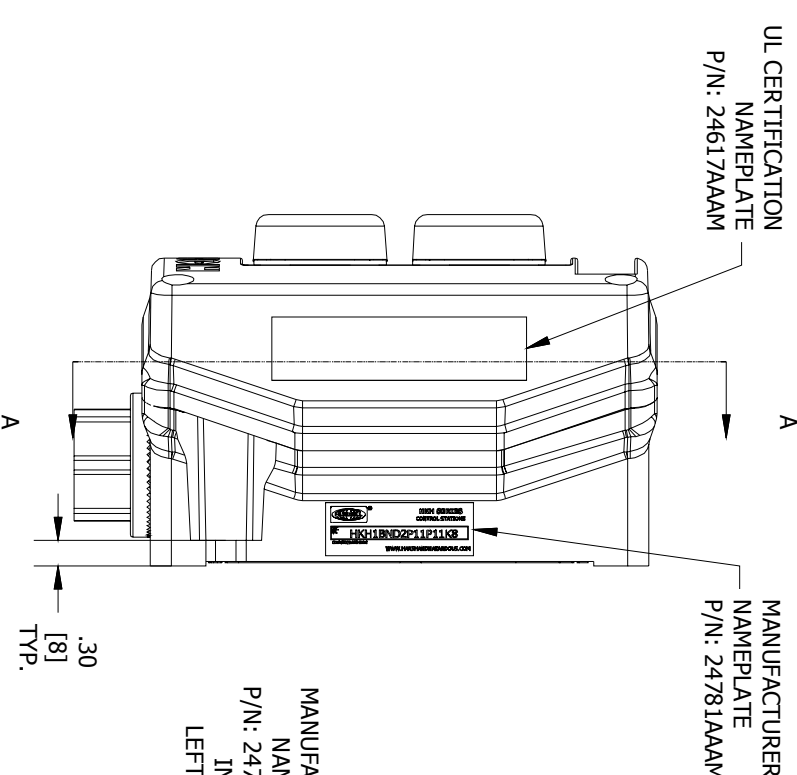
TOP VIEW



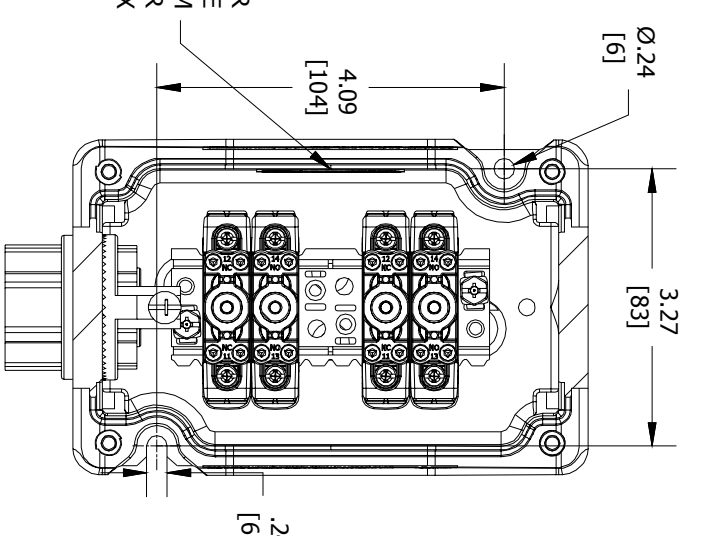
LEFT SIDE VIEW



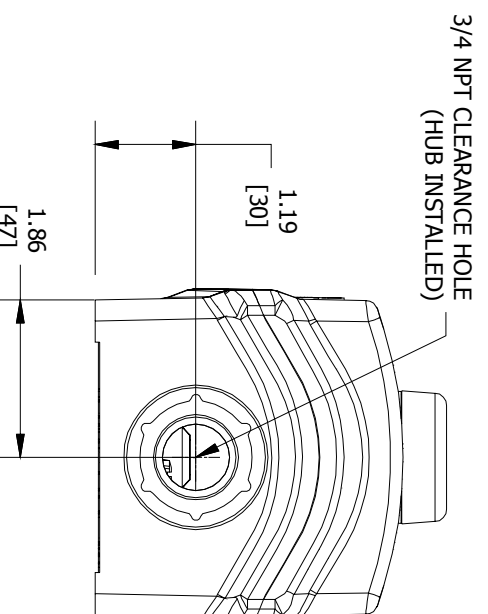
FRONT VIEW



RIGHT SIDE VIEW



SECTION A-A VIEW



BOTTOM VIEW

COMMENT:

SGN:

DATE:

ACCEPTANCE:

DRAWN BY:

DATE:

DWG NUMBER:

CODE 1: APPROVED (NO COMMENTS)

CODE 2: APPROVED FOR MANUFACTURING

CODE 3: NOT APPROVED RE-SUBMIT

CODE 4: FOR INFORMATION ONLY

TITLE:

HKH MODIFIED ENCLOSURE

(HKH1BND2P11P11K8)

REVISION

REVISION

REVISION

REVISION

REVISION

REVISION

REVISION

MFG. NAME PLATE (REF.)

MFG. NAME PLATE (REF.)

MFG. NAME PLATE (REF.)

MFG. NAME PLATE (REF.)

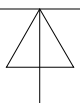
MFG. NAME PLATE (REF.)

MFG. NAME PLATE (REF.)

MFG. NAME PLATE (REF.)

		<b>CAT. HKHMOD Series</b>		DATE CODE: S/N
Harsh & Hazardous www.HARSHANDHAZARDOUS.COM		CAT. NO. HKHMOD Series		ST. LOUIS, MO 63113
INDUSTRIAL CONTROL EQUIPMENT FOR USE IN ZONE CLASSIFIED HAZ. LOCs. CLASS I, ZONE 1, AEx de IIC T6...T4 Gb; Ex de IIC T6...T4 Gb CLASS II, DIV 2, GRPS. A,B,C,D; CLASS III, DIV 1, GRPS. E,F,G (CANADA ONLY) CLASS III, TYPE 3/4/4X/12/13; -50°C STAs+60°C		SEE IOM FORM K1466 FOR ELECTRICAL RATINGS.		SEE IOM FORM K1466 & K1470 FOR T-CODES AND FOR ELECTRICAL RATINGS.
DEMKO 15 ATEX 1405X Ex de IIC T6...T4 Gb; Ex tb IIIC T85°C...T135°C Db IP66 IECEx UL 15.0054X -50°C STAs+60°C (-40°C STAs+55°C WITH AMMETER)		TR RU C-US M1062.B.04167 IEx 16.0079 INNETTRO		Seguranca

CERTIFICATION NAME PLATES



B

B

A

A

		<b>HKH SERIES CONTROL STATIONS</b>	
CAT. NO. HKH1BND2P11P11K8		www.HARSHANDHAZARDOUS.COM	
MFG. NAME PLATE (REF.)			

REVISION	DATE	BY	DESCRIPTION
A	09-01-2016		HKH MODIFIED ENCLOSURE (HKH1BND2P11P11K8)

4

3

2

1

ENTRY HUB/GLAND SELECTION CHART\*

ENTRY NO.	HUB/GLAND:
ENTRY 1	K8: WH-2SSG

\*HUBS &amp; CABLE GLANDS ARE SHIPPED WITH ENCLOSURE