

4

3

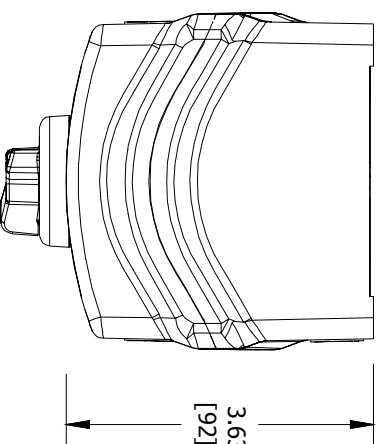
2

1

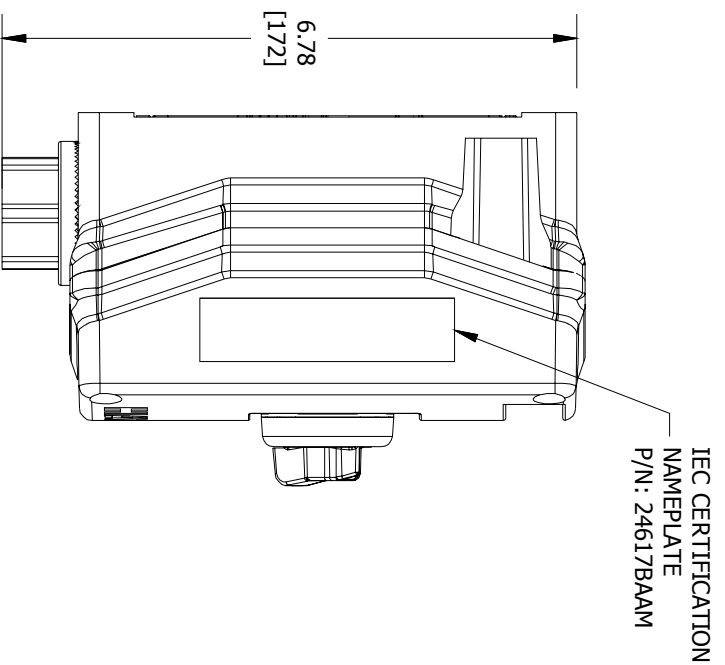
ENCLOSURE INFORMATION	
P/N:	2319/CBAM
BOX:	2319/BAAB
COVER:	2320/BAAB
MOUNT METHOD:	2320/BAAB
DEVICE 1 ASSEMBLY (1F)	
P/N:	HKH2P5MTV
DEVICE:	2 POS SEL SWT MAINTAINED CONTACT, VERT
LGND. PLATE:	2322/5BAB
LOCKOUT ACQY:	NONE
CONTACT 1:	HKH1NO20D
CONTACT 2:	HKH1NC20D

CONTACT BLOCK RATINGS:
690 VAC, 20A, 50-60
60 VDC, 5A, 110VDC, 1.5A

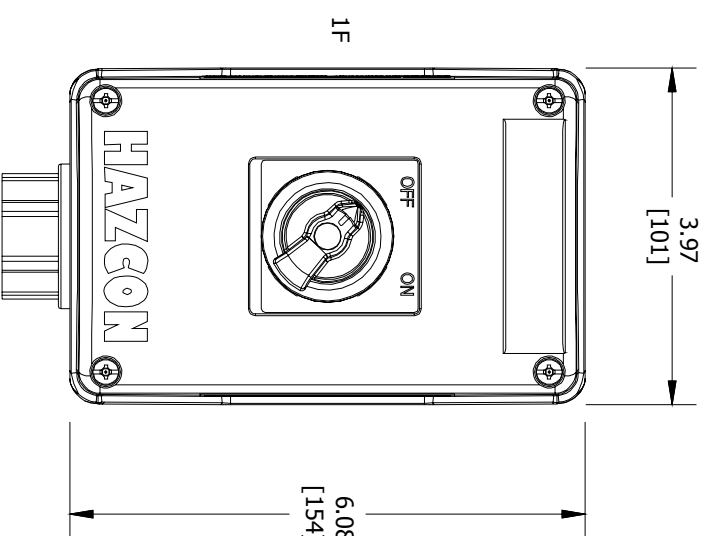
1/2 HP @ 120 VAC, 1 HP @ 208/240/277VAC
NEMA A600/P600 - PILOT DUTY
350VAC, 20A - TUNGSTEN
AC690V 16A AC-12
AC230V 16A AC-15
50-60HZ
DC60V 5A DC-13
TERMINALS RATED FOR 1-2 CONDUCTORS
#22-10 AWG. (0.5-4mm²)



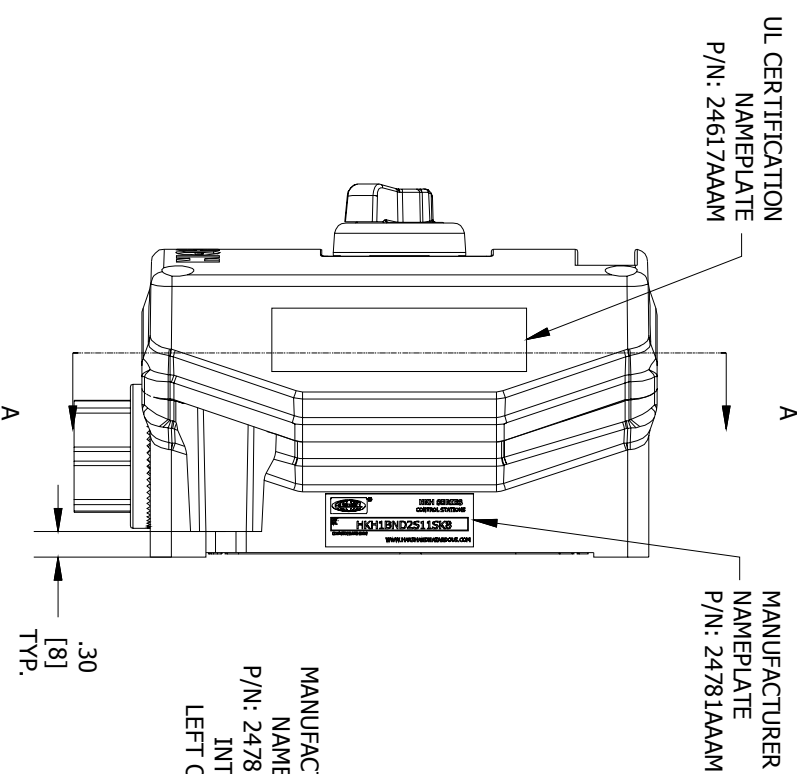
TOP VIEW



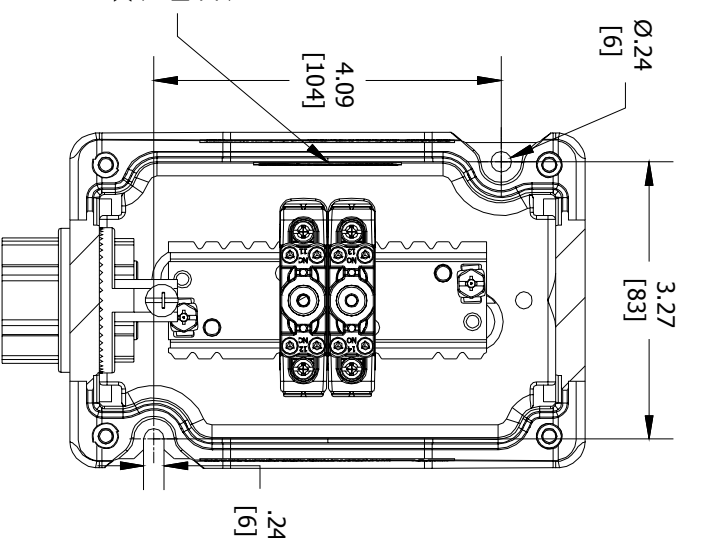
LEFT SIDE VIEW



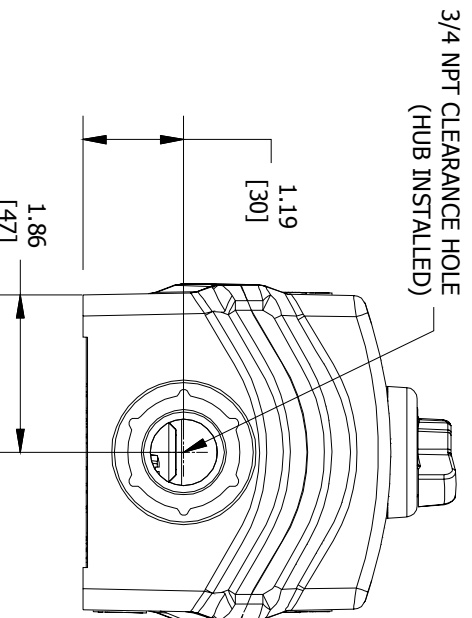
FRONT VIEW



RIGHT SIDE VIEW



SECTION A-A VIEW



BOTTOM VIEW

	CAT. NO.	HKHMOD Series	DATE CODE S/N
Harsh & Hazardous www.harshandhazardous.com			ST. LOUIS, MO 63113
	0539	II2G Ex de IIIC T6...T4 Gb	FOR T-CODES AND FOR ELECTRICAL RATINGS.
	0539	II2D Ex tb IIIC T85°C...T135°C Db IP66	SEE IOM FORM K1466 & K1470
DEMKO 15 ATEx 1405X	Ex de IIIC T6...T4 Gb:	T135°C Db IP66	SECURINCA
Ex tb IIIC T85°C...T135°C Db IP66	Ex tb IIIC T85°C...T135°C Db IP66		ST. LOUIS, MO 63113
IECEx UL 15.0054X	IECEx UL 15.0054X		INMETRO
(-40°C ≤Tas+55°C WITH AMMETER)	(-40°C ≤Tas+60°C		DATE CODE S/N
	WITH AMMETER)	TR RU C-US MIO62.B.04167	IEX 16.0079 INMETRO

CERTIFICATION NAME PLATES

INDUSTRIAL CONTROL EQUIPMENT FOR USE IN ZONE CLASSIFIED HAZ. LOCS.
CLASS I, ZONE 1, AEx de IIIC T6...T4 Gb; Ex de IIIC T6...T4 Gb
ZONE 21, AEx tb IIIC T85°C...T135°C Db IP66; Ex tb IIIC T85°C...T135°C Db IP66
CLASS I, DIV.2, GRPS. A,B,C,D; CLASS II, DIV.1, GRPS. E,F,G (CANADA ONLY)
CLASS II, DIV.2, GROUPS E,F,G; CLASS III
CLASS III; TYPE 3/4/4X/12/13; -50°C ≤Tas≤+60°C

SEE IOM FORM K1466 FOR ELECTRICAL RATINGS.

CERTIFICATION NAME PLATES

COMMENT:	SGN:	DATE:	ACCEPTANCE:	DRAWN BY:	DATE:	DWG NUMBER:	ENTRY HUB/GLAND SELECTION CHART*
			CODE 1: APPROVED (NO COMMENTS)	K.R.A.	07/27/2016	HKH1BND2S1SK8	ENTRY NO. HUB/GLAND:
			CODE 2: APPROVED FOR MANUFACTURING WITH COMMENTS TO BE INCORPORATED				ENTRY 1 K8: WH-255G
			CODE 3: NOT APPROVED RE-SUBMIT				*HUBS & CABLE GLANDS ARE SHIPPED WITH ENCLOSURE
			CODE 4: FOR INFORMATION ONLY	TITLE:			

REVISION	REVISION	REVISION

REVISION	REVISION	REVISION

HUBBELL
HKH SERIES
CONTROL STATIONS

HKH1BND2S1SK8

WWW.HARSHANDHAZARDOUS.COM

MFG. NAME PLATE (REF.)

4

3

2

1