

4

3

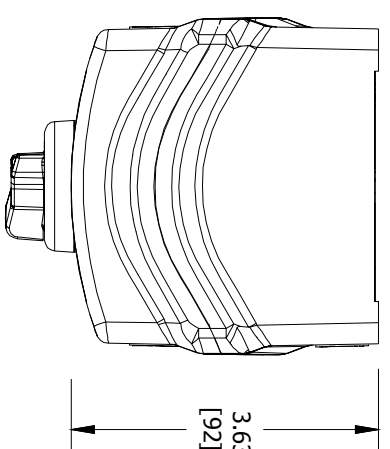
2

1

ENCLOSURE INFORMATION	
P/N:	DESCRIPTION:
2319/CBAM	BOX PLASTIC 1b, 3/4 NPT BOTTOM
2319BBAAB	COVER PLASTIC 1b, ONE DEVICE
23203BAAB	ASSY, DIN RAIL HKH 2 TIER
MOUNT METHOD:	
	ASSY, DIN RAIL HKH 2 TIER
DEVICE 1 ASSEMBLY (1F)	
P/N:	DESCRIPTION:
HHKH2PSMMRV	2 POS SEL SWT MOMENTARY RIGHT, VERT
23225AAAB	Blank
LOCKOUT ACQY:	
NONE	N/A
CONTACT 1:	
HKHINO20D	CONTACT BLCK, FACT SEALED N.O. DRM, 20A
HKHINC20D	CONTACT BLCK, FACT SEALED N.C. DRM, 20A

CONTACT BLOCK RATINGS:
 690 VAC, 20A, 50-60
 60 VDC, 5A, 110VDC, 1.5A

1/2 HP @ 120 VAC, 1 HP @ 208/240/277VAC
 NEMA A600/P600 - PILOT DUTY
 350VAC, 20A - TUNGSTEN
 AC690V 16A AC-12
 AC230V 16A AC-15
 50-60HZ
 DC60V 5A DC-13
 TERMINALS RATED FOR 1-2 CONDUCTORS
 #22-10 AWG. (0.5-4mm²)



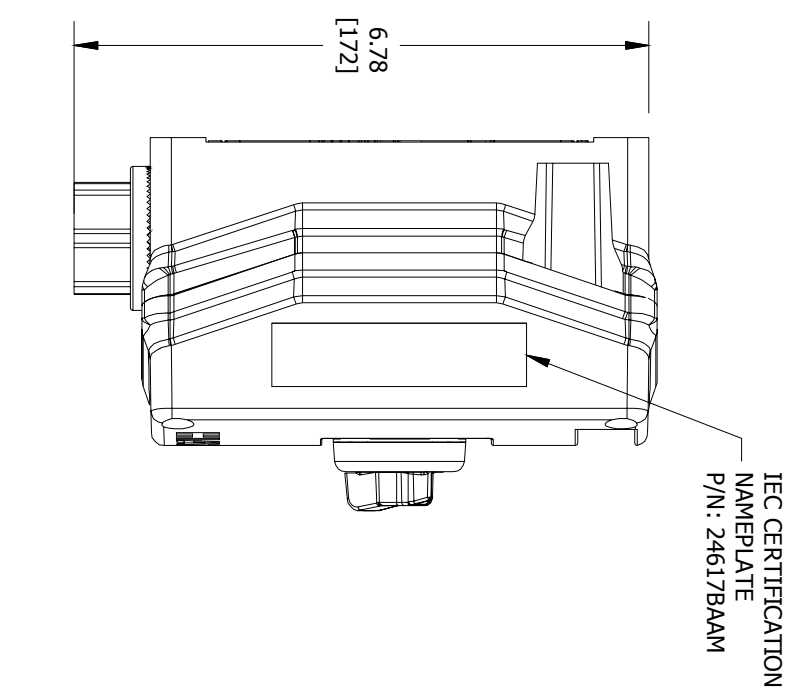
TOP VIEW

 Harsh & Hazardous WWW.HARSHANDHAZARDOUS.COM	CAT. NO. HKHMOD Series	DATE CODE S/N ST. LOUIS, MO 63113
	SEE IOM FORM K1466 & K1470 FOR T-CODES AND FOR ELECTRICAL RATINGS.	 LISTED A243

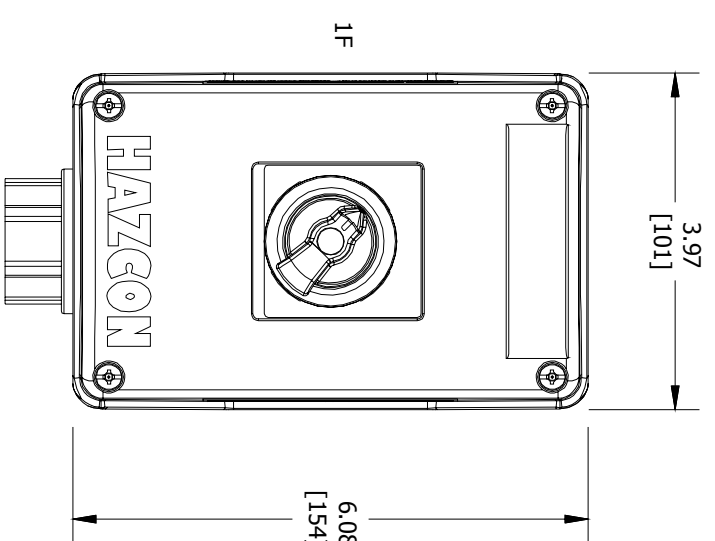
INDUSTRIAL CONTROL EQUIPMENT FOR USE IN ZONE CLASSIFIED HAZ. LOCS.
 CLASS I, ZONE 1, AEx de IIC T6...T4 Gb; Ex de IIC T6...T4 Gb
 ZONE 21, AEx tb IIC T85°C...T135°C Db IP66; Ex tb IIC T85°C...T135°C Db IP66
 CLASS I, DIV.2, GRPS. A,B,C,D; CLASS II, DIV.1, GRPS. E,F,G (CANADA ONLY)
 CLASS II, DIV.2, GROUPS E,F,G; CLASS III
 CLASS III, TYPE 3/4/4X/12/13; -50°C STAs+60°C
 (-40°C STAs+55°C WITH AMMETER)

TR RU C-US.M1062.B.04167 IEX 16.0079 IMETRO

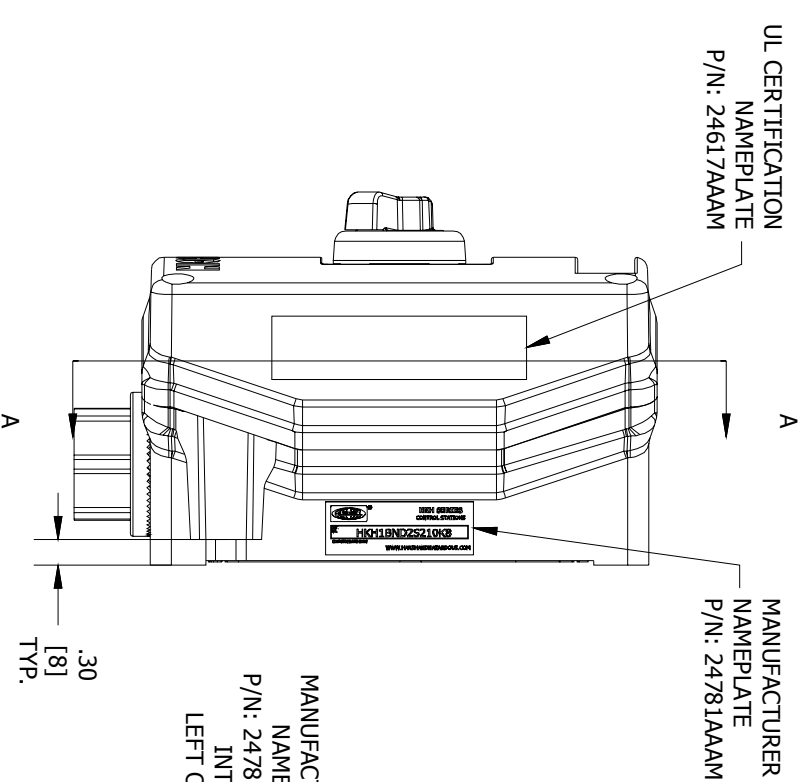
CERTIFICATION NAME PLATES



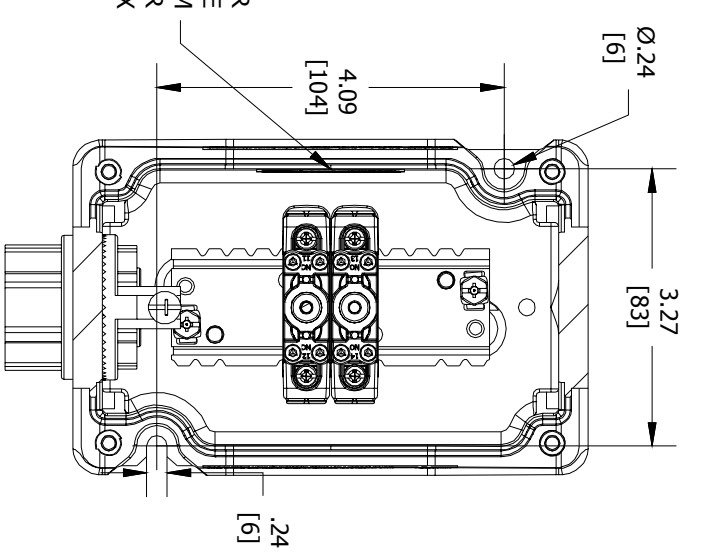
LEFT SIDE VIEW



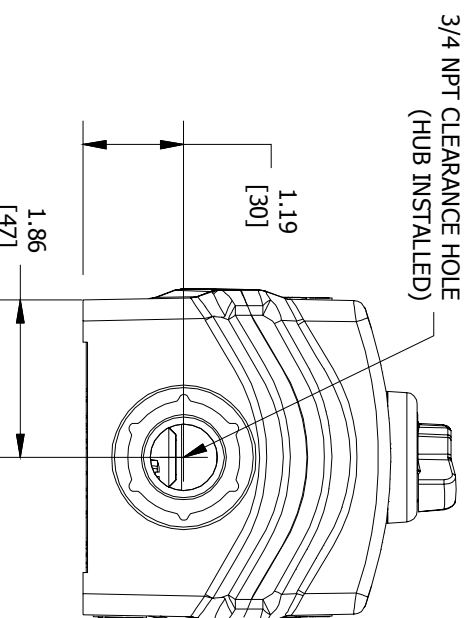
FRONT VIEW



RIGHT SIDE VIEW



SECTION A-A VIEW



BOTTOM VIEW

COMMENT:

ACCEPTANCE:

DRAWN BY:

DATE:

DWG NUMBER:

ENTRY HUB/GLAND SELECTION CHART*	
ENTRY NO.	HUB/GLAND:
ENTRY 1	K8: WH-2SSG

*HUBS & CABLE GLANDS ARE SHIPPED WITH ENCLOSURE

CODE 1: APPROVED (NO COMMENTS)
 CODE 2: APPROVED FOR MANUFACTURING WITH COMMENTS TO BE INCORPORATED
 CODE 3: NOT APPROVED RE-SUBMIT
 CODE 4: FOR INFORMATION ONLY

PR

09/21/2016

SALES/QUOTE NO.:

ITEM: N/A

HKH SERIES
 CONTROL STATIONS
 MFG. NAME PLATE (REF.)
 P/N: HKH1BND2S210K8
 COUNT/DATE CODE
 WWW.HARSHANDHAZARDOUS.COM

MFG. NAME PLATE (REF.)

REVISION



KILLARK

THIS DOCUMENT IS THE PROPERTY OF HUBBELL - KILLARK. IT IS LOANED TO YOU AND MUST NOT BE USED IN ANY WAY DETRIMENTAL TO THE INTEREST HUBBELL - KILLARK.

HKH MODIFIED ENCLOSURE (HKH1BND2S210K8)

SHEET 1 OF 1

A

B

C

D

A

B

C

D