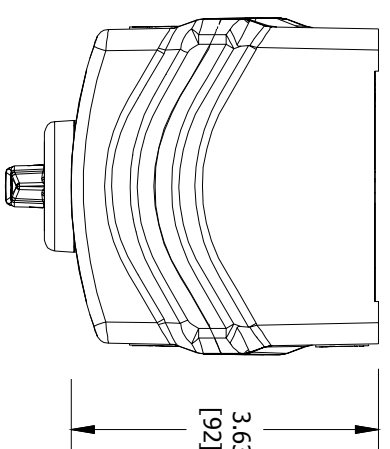


ENCLOSURE INFORMATION	
P/N:	2319/CBAM
BOX:	2319BBAAB
COVER:	23203BAAB
MOUNT METHOD:	23203BAAB
DEVICE 1 ASSEMBLY (1F)	
P/N:	HKH3P5MT1V
DEVICE:	23225ACAB
LGND. PLATE:	NONE
LOCKOUT ACQY:	HKHINO20D
CONTACT 1:	HKHINO20D
CONTACT 2:	HKHINO20D

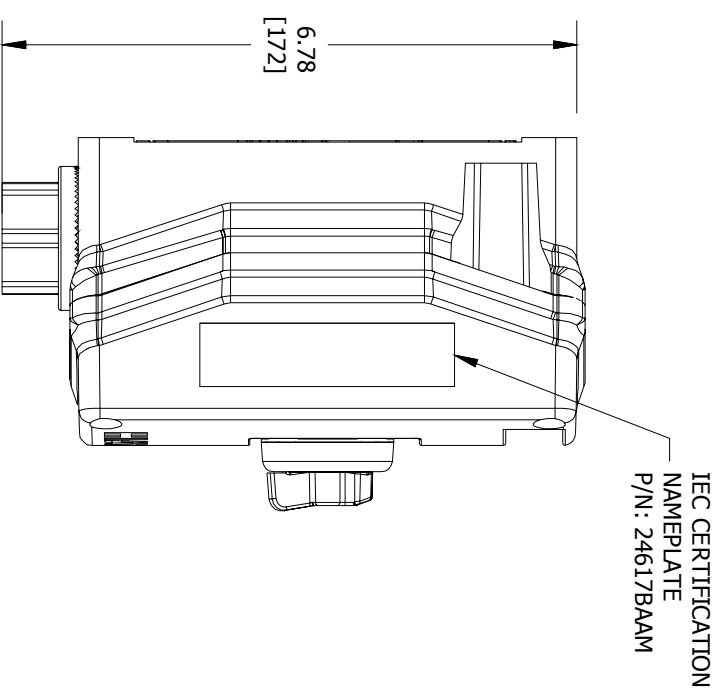
CONTACT BLOCK RATINGS:  
690 VAC, 20A, 50-60  
60 VDC, 5A, 110VDC, 1.5A

1/2 HP @ 120 VAC, 1 HP @ 208/240/277VAC  
NEMA A600/P600 - PILOT DUTY  
350VAC, 20A - TUNGSTEN  
AC690V 16A AC-12  
AC230V 16A AC-15  
50-60HZ  
DC60V 5A DC-13  
TERMINALS RATED FOR 1-2 CONDUCTORS  
#22-10 AWG. (0.5-4mm<sup>2</sup>)

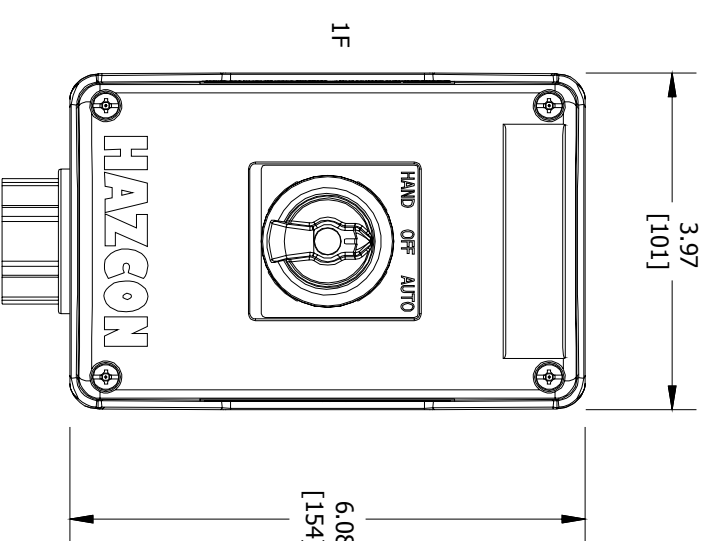


TOP VIEW

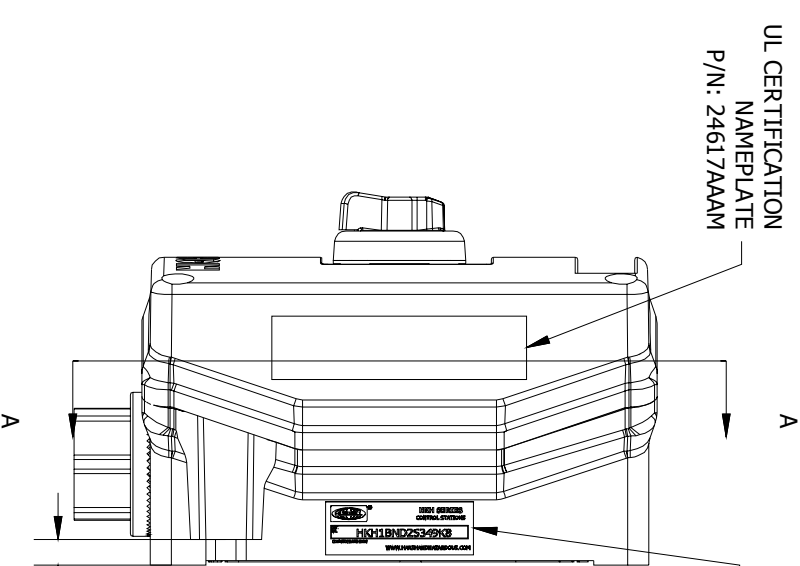
<p>Harsh &amp; Hazardous www.HARSHANDHAZARDOUS.COM</p>	<p>CAT. NO. <b>HKHMOD Series</b></p>	<p>DATE CODE 5/N</p>
	<p>INDUSTRIAL CONTROL EQUIPMENT FOR USE IN ZONE CLASSIFIED HAZ. LOCs. CLASS I, ZONE 1, AEX de IIC T6...T4 Gb; Ex de IIC T6...T4 Gb CLASS II, DIV.2, GRPS. A, B, C, D; CLASS II, DIV.1, GRPS. E, F, G (CANADA ONLY) CLASS III; TYPE 3/4/4X/12/13; -50°C ≤Tas≤+60°C</p>	<p>ST. LOUIS, MO 63113</p>



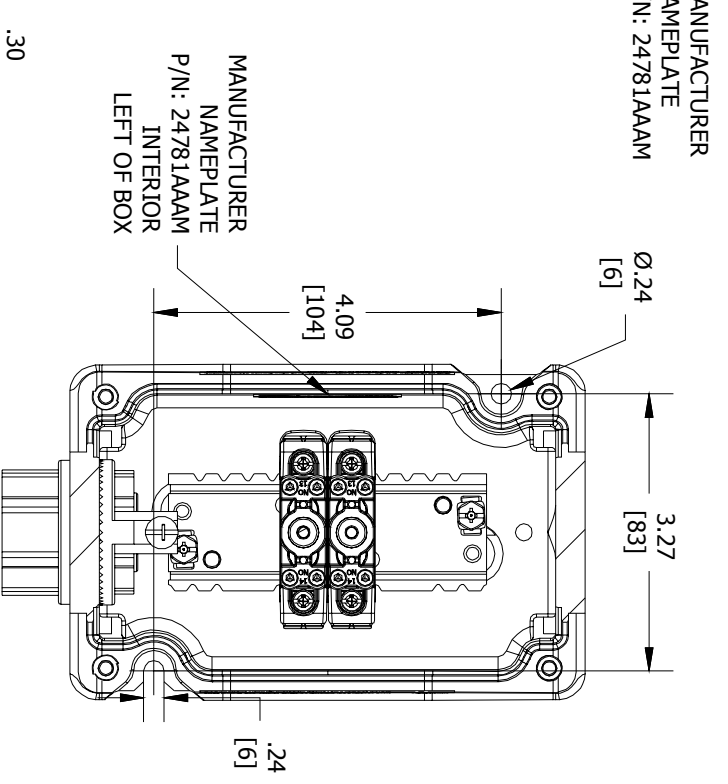
LEFT SIDE VIEW



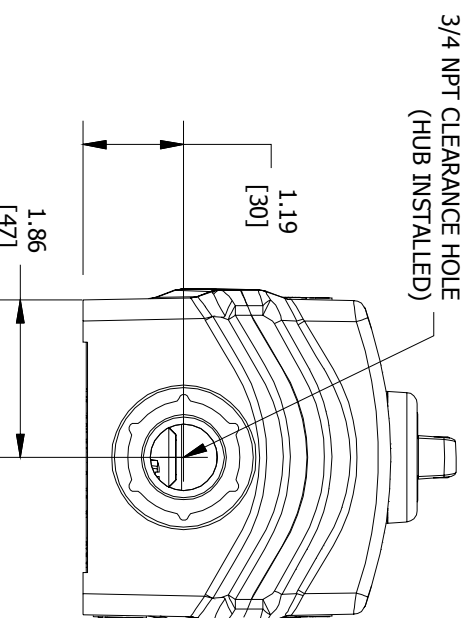
FRONT VIEW



RIGHT SIDE VIEW



SECTION A-A VIEW



BOTTOM VIEW

ENTRY HUB/GLAND SELECTION CHART*	
ENTRY NO.	HUB/GLAND:
ENTRY 1	K8; WH-2SSG

\*HUBS & CABLE GLANDS ARE SHIPPED WITH ENCLOSURE

COMMENT:

SGN:

DATE:

ACCEPTANCE:

DRAWN BY:

DATE:

DWG NUMBER:

HUB/GLAND:

ITEM:

CODE 1: APPROVED (NO COMMENTS)

CODE 2: APPROVED FOR MANUFACTURING

CODE 3: NOT APPROVED RE-SUBMIT

CODE 4: FOR INFORMATION ONLY

PR

09/21/2016

SALES/QUOTE NO.:

N/A

N/A

WITH COMMENTS TO BE INCORPORATED

WITH COMMENTS TO BE INCORPORATED

WITH COMMENTS TO BE INCORPORATED

WITH COMMENTS TO BE INCORPORATED

TITLE:

HKH MODIFIED ENCLOSURE

HKH1BND2S349K8

HKH1BND2S349K8

N/A

HKH SERIES  
CONTROL STATIONS

CAT. NO. **HKH1BND2S349K8**

COUNTY/DATE CODE

www.HARSHANDHAZARDOUS.COM

MFG. NAME PLATE (REF.)

4

REVISION

3

**KILLARK**

2

ENCLOSURE

HKH1BND2S349K8

1

SHEET 1 OF 1