

4

3

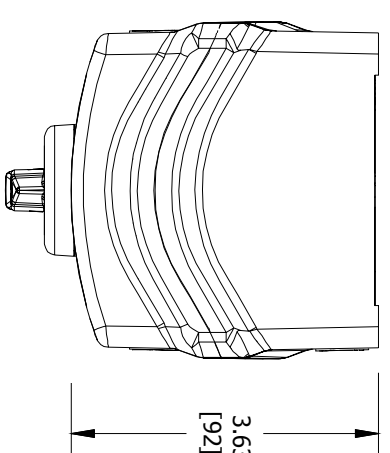
2

1

ENCLOSURE INFORMATION	
P/N:	DESCRIPTION:
2319/CBAM	BOX PLASTIC 1b, 3/4 NPT BOTTOM
2319BBAAB	COVER PLASTIC 1b, ONE DEVICE
23203BAAB	ASSY, DIN RAIL HKH 2 TIER
DEVICE 1 ASSEMBLY (1F)	
P/N:	DESCRIPTION:
HKH3P5MRY	3 POS SEL SWT MAINT LT/CTR, MOM RT, VERT
23225AAAB	Blank
LOCKOUT ACQY:	N/A
CONTACT 1:	CONTACT BLCK, FACT SEALED N.O. DRM, 20A
CONTACT 2:	CONTACT BLCK, FACT SEALED N.O. DRM, 20A

CONTACT BLOCK RATINGS:  
690 VAC, 20A, 50-60  
60 VDC, 5A, 110VDC, 1.5A

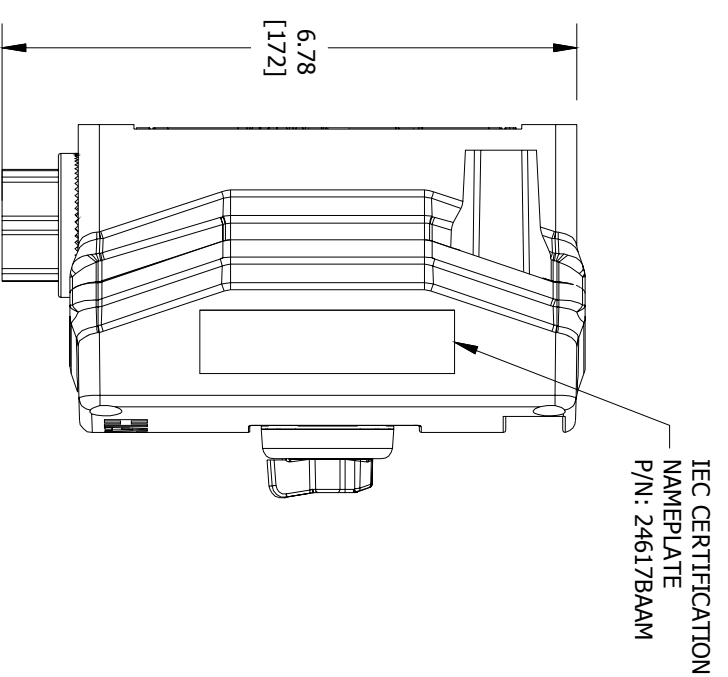
1/2 HP @ 120 VAC, 1 HP @ 208/240/277VAC  
NEMA A600/P600 - PILOT DUTY  
350VAC, 20A - TUNGSTEN  
AC690V 16A AC-12  
AC230V 16A AC-15  
50-60HZ  
DC60V 5A DC-13  
TERMINALS RATED FOR 1-2 CONDUCTORS  
#22-10 AWG. (0.5-4mm<sup>2</sup>)



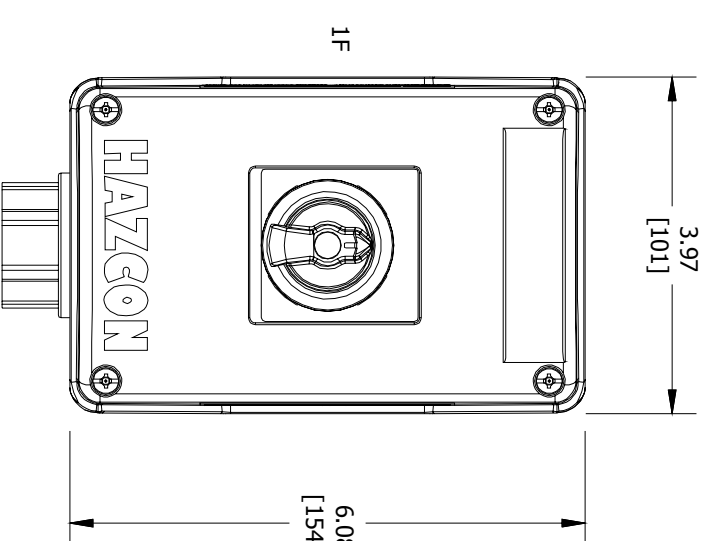
TOP VIEW

 <b>HARSH &amp; HAZARDOUS</b> www.harschandhazardous.com	<b>CAT. NO.</b> 0539 0539 I12G Ex de IIC T6...T4 Gb 0539 I12D Ex tb IIC T85°C...T135°C Db IP66 DEMKO 15 ATEX 1405X Ex de IIC T6...T4 Gb; Ex tb IIC T85°C...T135°C Db IP66 IECEx UL 15 00054X -50°C STAs+60°C (-40°C STAs+55°C WITH AMMETER)	<b>CAT. NO.</b> HKHMOD Series SEE IOM FORM K1466 & K1470 FOR T-CODES AND FOR ELECTRICAL RATINGS.	<b>DATE CODE-S/N</b> TR RU C-US.M1062.B.04167 IEX 16.0079 INMETRO
	<b>CAT. NO.</b> HKHMOD Series SEE IOM FORM K1466 & K1470 FOR T-CODES AND FOR ELECTRICAL RATINGS.	<b>DATE CODE-S/N</b> ST. LOUIS, MO 63113	 A243

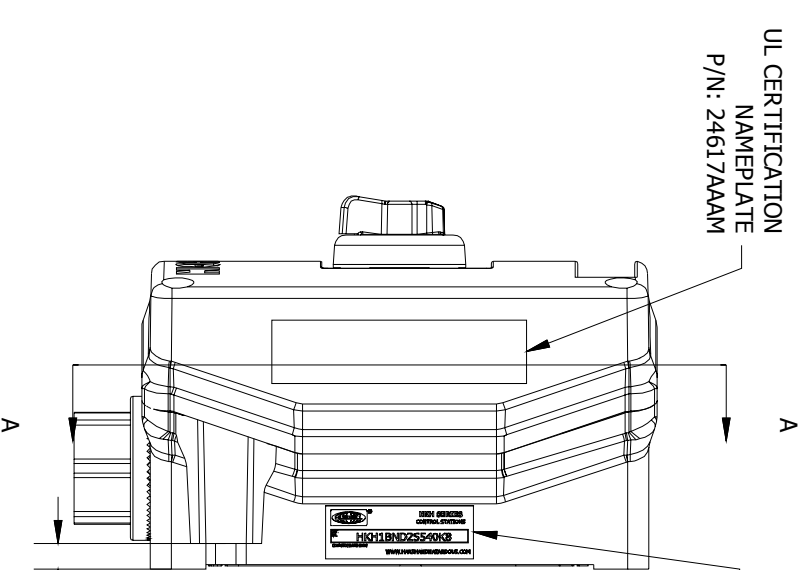
CERTIFICATION NAME PLATES



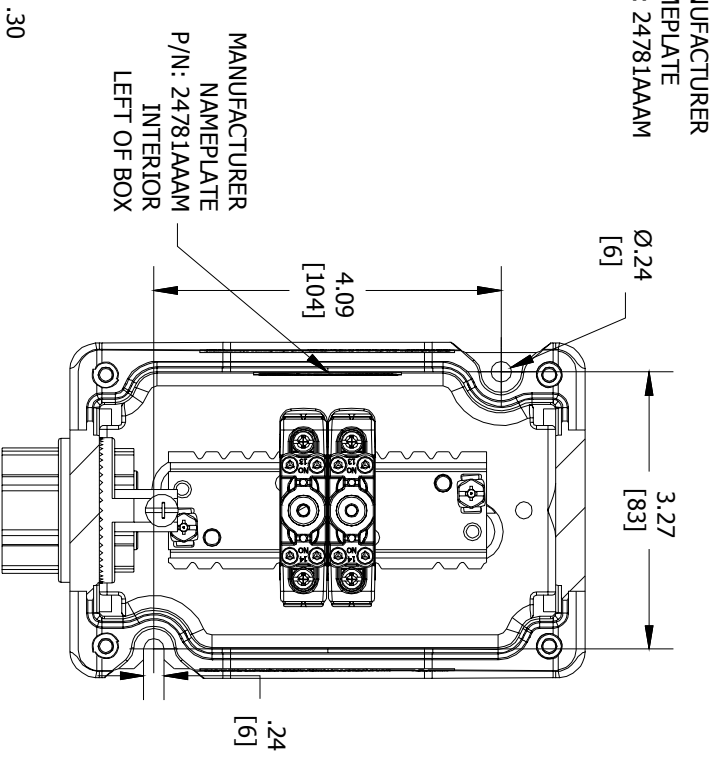
LEFT SIDE VIEW



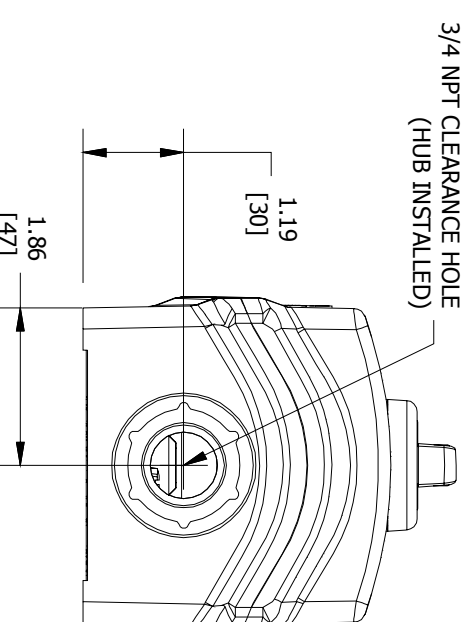
FRONT VIEW



RIGHT SIDE VIEW



SECTION A-A VIEW



BOTTOM VIEW

ENTRY HUB/GLAND SELECTION CHART*	
ENTRY NO.	HUB/GLAND:
ENTRY 1	K8: WH-255G

\*HUBS & CABLE GLANDS ARE SHIPPED WITH ENCLOSURE

COMMENT:

SGN:

DATE:

ACCEPTANCE:

DRAWN BY:

DATE:

DWG NUMBER:

ITEM:

CODE 1: APPROVED (NO COMMENTS)

CODE 2: APPROVED FOR MANUFACTURING

CODE 3: NOT APPROVED RE-SUBMIT

CODE 4: FOR INFORMATION ONLY

TITLE:

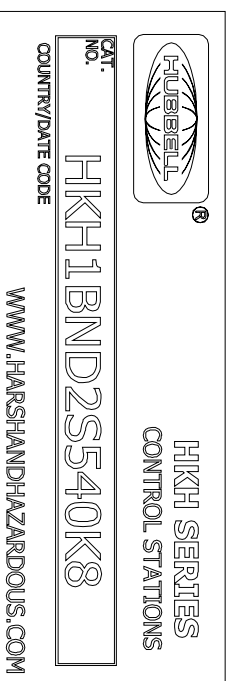
SALES/QUOTE NO.:

N/A

N/A

A

A



MFG. NAME PLATE (REF.)

WWW.HARSHANDHAZARDOUS.COM

REVISION



KILLARK

THIS DOCUMENT IS THE PROPERTY OF HUBBELL - KILLARK. IT IS LOANED TO YOU AND MUST NOT BE USED IN ANY WAY DETRIMENTAL TO THE INTEREST HUBBELL - KILLARK.

HKH MODIFIED ENCLOSURE (HKH1BND2S540K8)

2

3

4

SHEET 1 OF 1

A

4

3

2

1