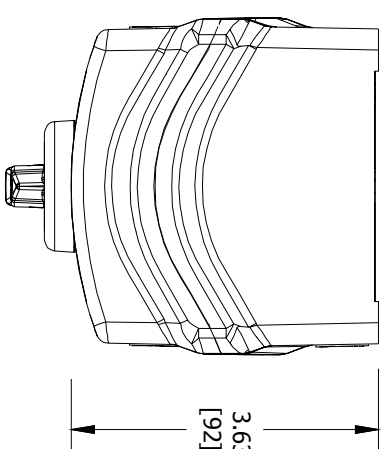


ENCLOSURE INFORMATION	
P/N:	DESCRIPTION:
2319/CBAM	BOX PLASTIC 1b, 3/4 NPT BOTTOM
2319BBAAB	COVER PLASTIC 1b, ONE DEVICE
2320BBAAB	ASSY, DIN RAIL HKH 2 TIER
DEVICE 1 ASSEMBLY (1F)	
P/N:	DESCRIPTION:
HKH3PSMMLV	3 POS SEL SWT MOM LT, MAINT CTR/RT, VERT
23225AAAB	Blank
LOCKOUT ACY:	N/A
CONTACT 1:	CONTACT BLCK, FACT SEALED N.O. DRM, 20A
CONTACT 2:	CONTACT BLCK, FACT SEALED N.O. DRM, 20A

CONTACT BLOCK RATINGS:  
690 VAC, 20A, 50-60  
60 VDC, 5A, 110VDC, 1.5A

1/2 HP @ 120 VAC, 1 HP @ 208/240/277VAC  
NEMA A600/P600 - PILOT DUTY  
350VAC, 20A - TUNGSTEN  
AC690V 16A AC-12  
AC230V 16A AC-15  
50-60HZ

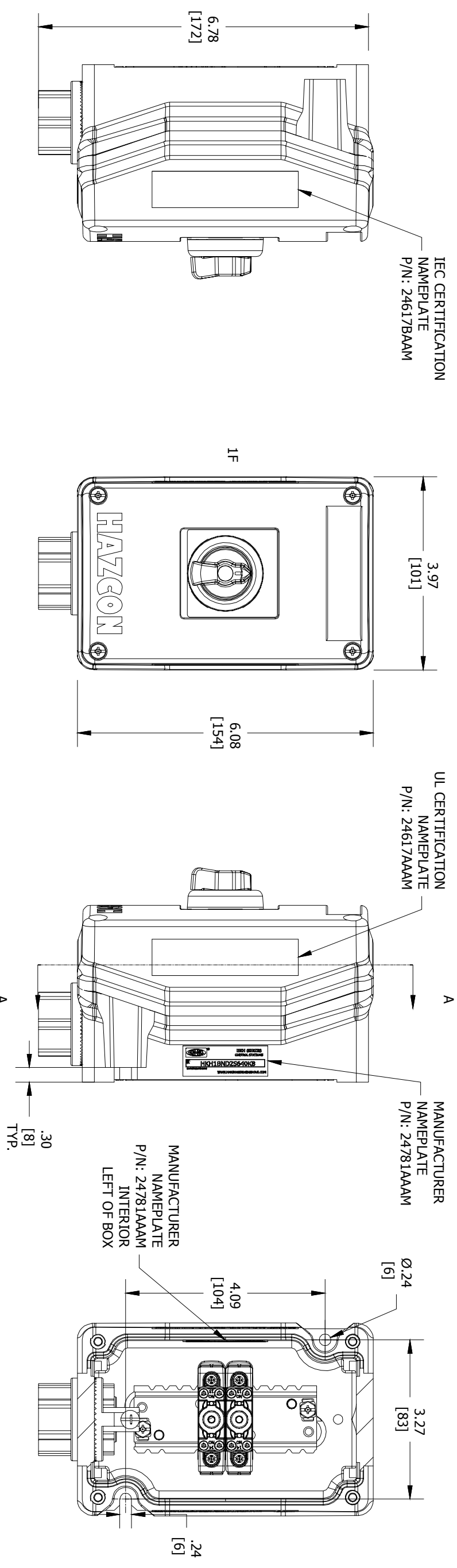
DC60V 5A DC-13  
TERMINALS RATED FOR 1-2 CONDUCTORS  
#22-10 AWG. (0.5-4mm<sup>2</sup>)



TOP VIEW

 <b>Harsh &amp; Hazardous</b> <a href="http://WWW.HARSHANDHAZARDOUS.COM">WWW.HARSHANDHAZARDOUS.COM</a>	<b>CAT. NO.</b> <b>HKHMOD Series</b>	<b>DATE CODE S/N</b> ST. LOUIS, MO 63113
	<b>INDUSTRIAL CONTROL EQUIPMENT FOR USE IN ZONE CLASSIFIED HAZ. LOCs.</b> CLASS I, ZONE 1, AEx de IIC T6, T4 Gb; Ex de IIC T6, T4 Gb ZONE 21, AEx tb IIIC T85°C...T135°C Db IP66; Ex tb IIIC T85°C...T135°C Db IP66 CLASS I, DIV 2, GRPs, A, B, C, D; CLASS II, DIV 1, GRPs, E, F, G (CANADA ONLY) CLASS II, DIV 2, GROUPS E, F, G; CLASS III CLASS III: TYPE 3/4/4X/12/13; -50°C STAs+60°C	<b>SEE IOM FORM K1466 FOR ELECTRICAL RATINGS.</b>

CERTIFICATION NAME PLATES

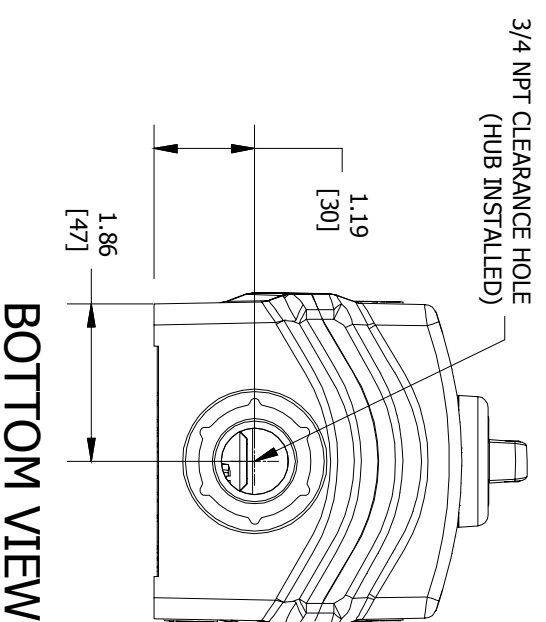


LEFT SIDE VIEW

FRONT VIEW

RIGHT SIDE VIEW

SECTION A-A VIEW



BOTTOM VIEW

ENTRY HUB/GLAND SELECTION CHART*	
ENTRY NO.	HUB/GLAND:
ENTRY 1	K8: WH-2SSG

\*HUBS & CABLE GLANDS ARE SHIPPED WITH ENCLOSURE

COMMENT:

SGN:

DATE:

ACCEPTANCE:

DRAWN BY:

DATE:

DWG NUMBER:

HUB/GLAND:

ITEM:

CODE 1: APPROVED (NO COMMENTS)

CODE 2: APPROVED FOR MANUFACTURING

CODE 3: NOT APPROVED RE-SUBMIT

CODE 4: FOR INFORMATION ONLY

PR

09-22-2016

SALES/QUOTE NO.:

N/A

N/A

WITH COMMENTS TO BE INCORPORATED

WITH COMMENTS TO BE INCORPORATED

WITH COMMENTS TO BE INCORPORATED

WITH COMMENTS TO BE INCORPORATED

TITLE:

HKH MODIFIED ENCLOSURE

(HKH1BND2S640K8)

(HKH1BND2S640K8)

(HKH1BND2S640K8)

HKH SERIES  
CONTROL STATIONS

CONTROL NO. HKH1BND2S640K8

COUNT/DATE CODE

WWW.HARSHANDHAZARDOUS.COM

MFG. NAME PLATE (REF.)

4

A

REVISION

3

KILLARK

2

THIS DOCUMENT IS THE PROPERTY OF HUBBEL - KILLARK. IT IS LOANED TO YOU AND MUST NOT BE USED IN ANY WAY DETRIMENTAL TO THE INTEREST HUBBEL - KILLARK.

1

SHEET 1 OF 1

1

1