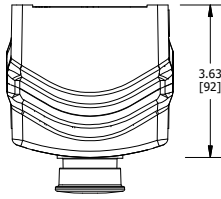


ENCLOSURE INFORMATION		
P/N:	DESCRIPTION:	
BOX: 23197KBAM	BOX PLASTIC 1b, M20 BOTTOM	
COVER: 23194BAAB	COVER PLASTIC 1b, ONE DEVICE	
MOUNT METHOD: 23203BAAB	ASSY, DIN RAIL HKH 2 TIER	
DEVICE 1 ASSEMBLY (1F)		
P/N:	DESCRIPTION:	
DEVICE: HKHPBMMMG	MOMENTARY PUSHBUTTON, MUSHROOM HD, GRN	
LEGEND PLATE: 23225BAAB	LAM., START	
LOCKOUT DEV.: NONE	N/A	
CONTACT 1: HKH1NO20D	CONTACT BLCK, FACT SEALED N.O. DRM, 20A	
CONTACT 2: HKH1NC20D	CONTACT BLCK, FACT SEALED N.C. DRM, 20A	

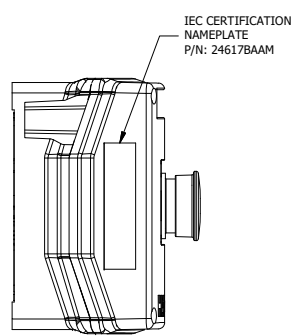
CONTACT BLOCK RATINGS:
 690 VAC, 20A, 50-60
 60 VDC, 5A, 110VDC, 1.5A

1/2 HP @ 120 VAC, 1 HP @ 208/240/277VAC
 NEMA A600/P600 - PILOT DUTY
 350VAC, 20A - TUNGSTEN
 AC690V 16A AC-12
 AC230V 16A AC-15
 50-60HZ
 DC60V 5A DC-13
 TERMINALS RATED FOR 1-2 CONDUCTORS
 #22-10 AWG. (0.5-4mm²)

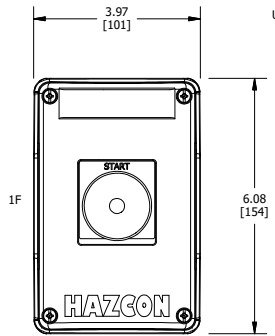


TOP VIEW

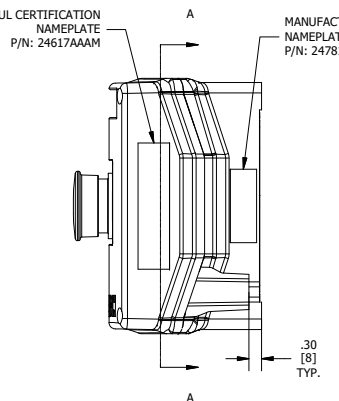
 Harsh & Hazardous 0539 IIC2 Ex de IIC T6...T4 Gb 0539 IIC2D Ex tb IIC T85°C...T135°C Db IP66 DEMKO 15 ATEX 1405X Ex de IIC T6...T4 Gb Ex tb IIC T85°C...T135°C Db IP66 IECEx UL 15.0054X -50°C ≤Tas+60°C (-40°C ≤Tas+55°C WITH AMMETER)	CAT. NO. HKHMOD Series DATE CODE-S/N WWW.HARSHANDHAZARDOUS.COM ST. LOUIS, MO 63113 SEE IOM FORM K1466 & K1470 FOR T-CODES AND FOR ELECTRICAL RATINGS.	 TR RU C-US.MIO62.B.04167 IEx 16.0079 INMETRO
	CAT. NO. HKHMOD Series DATE CODE-S/N WWW.HARSHANDHAZARDOUS.COM ST. LOUIS, MO 63113 INDUSTRIAL CONTROL EQUIPMENT FOR USE IN ZONE CLASSIFIED HAZ. LOCS. CLASS I, ZONE 1, AEx de IIC T6...T4 Gb; Ex de IIC T6...T4 Gb ZONE 21, AEx tb IIC T85°C...T135°C Db IP66; Ex tb IIC T85°C...T135°C Db IP66 CLASS I, DIV.2, GRPS. A,B,C,D; CLASS II, DIV.1, GRPS. E,F,G (CANADA ONLY) CLASS II, DIV.2, GROUPS E,F,G; CLASS III CLASS III, TYPE 3/4/4X/12/13; -50°C ≤Tas+60°C SEE IOM FORM K1466 FOR ELECTRICAL RATINGS.	



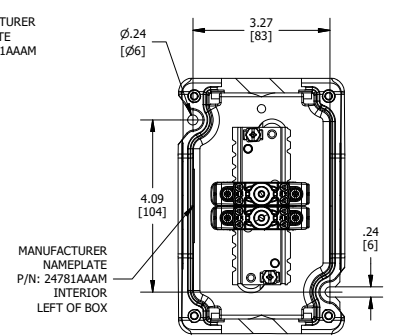
LEFT SIDE VIEW



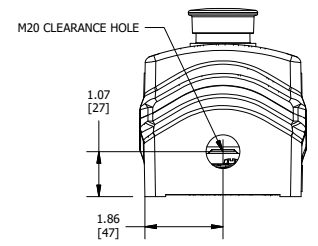
FRONT VIEW



RIGHT SIDE VIEW



SECTION A-A VIEW



BOTTOM VIEW

ENTRY HUB/GLAND SELECTION CHART*	
ENTRY NO.	HUB/GLAND:
ENTRY 1	NONE

*HUBS & CABLE GLANDS ARE SHIPPED WITH ENCLOSURE

 HKH SERIES CONTROL STATION CAT. NO. HKH1BNDAM21A COUNTRY/DATE CODE WWW.HARSHANDHAZARDOUS.COM

COMMENT:	SGN:	DATE:	ACCEPTANCE:	DRAWN BY:	DATE:	DWG NUMBER:	ITEM:
			CODE 1: APPROVED (NO COMMENTS)	K.R.A.	06/01/2017	HKH1BNDAM21A	N/A
			CODE 2: APPROVED FOR MANUFACTURING WITH COMMENTS TO BE INCORPORATED			SALES/QUOTE NO.:	N/A
			CODE 3: NOT APPROVED RE-SUBMIT				
			CODE 4: FOR INFORMATION ONLY				
REVISION				TITLE:		SHEET 1 OF 1	
				HKH MODIFIED ENCLOSURE (HKH1BNDAM21A)			

KILLARK THIS DOCUMENT IS THE PROPERTY OF HUBBELL - KILLARK. IT IS LOANED TO YOU AND MUST NOT BE USED IN ANY WAY DETRIMENTAL TO THE INTEREST HUBBELL - KILLARK.