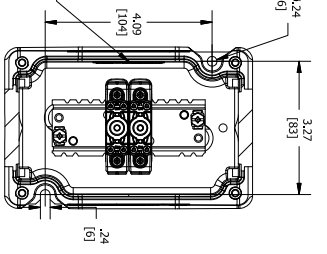
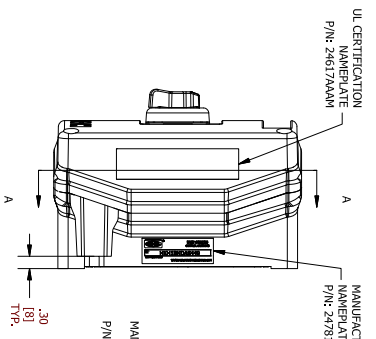
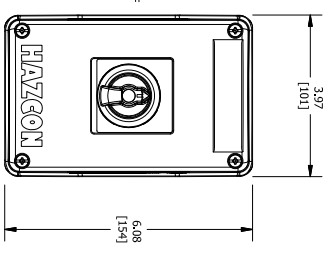
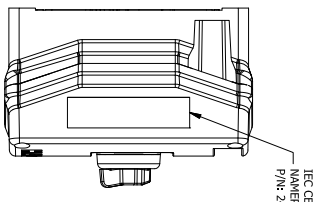
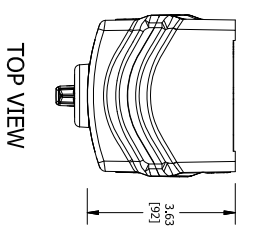


ENCLOSURE INFORMATION	
ENCLOSURE INFORMATION	CONTACT BLOCK RATINGS: 690 VAC, 20A, 50-60 60 VDC, 5A, 110VDC, 1.5A
BOX:	231978AM BOX PLASTIC 1b, M20 BOTTOM
COVER:	231984AB COVER PLASTIC 1b, ONE DEVICE
MOUNT METHOD:	23208AB ASSY, DIN RAIL MNT 2 TIER
DEVICE 1 ASSEMBLY (EP)	
P/N:	DESCRIPTION: 3 POS SEL SVT MOD L1/RT, MAINT CTR, VERT
DEVIDE:	HK139MMLV Blank
LGND. PLATE:	23225AAB Blank
LOOKOUT AGC:	NONE N/A
CONTACT 1:	HK110Z00 CONTACT BLACK, FACT SEALED N.O. DRW, 20A
CONTACT 2:	HK110Z00 CONTACT BLACK, FACT SEALED N.O. DRW, 20A

CONTACT BLOCK RATINGS:	690 VAC, 20A, 50-60 60 VDC, 5A, 110VDC, 1.5A
1/2 HP @ 120 VAC, 1 HP @ 208/240/277VAC	
MEGA 460/690/0 - BLU/OUT	
350VAC, 20A - TUNGSTEN	
AC230V, 16A AC-15	
50-60HZ	
DC69V, 5A, DC-13	
TERMINALS MATED FOR 1-2 CONDUCTORS	
#22-10 AWG, (15-9mm ²)	

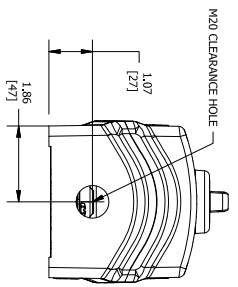


LEFT SIDE VIEW

FRONT VIEW

RIGHT SIDE VIEW

SECTION A-A VIEW



BOTTOM VIEW

CAT. NO. HKHMOD Series WWW.HKSHAMHARDWARE.COM DEMO 15 ATX 1405X EX DR ITC 185°C, 135°C Db IP66 EX DR ITC 185°C, 135°C Db IP66 IEC EX UL 15, 00534 -50°C ST 185+55°C (40 C ST 185+55°C WITH AMMETER) CLASS III, TYPE 3/4X/12/13, -50°C ST 185+160°C		CAT. NO. HKHMOD Series WWW.HKSHAMHARDWARE.COM DEMO 15 ATX 1405X EX DR ITC 185°C, 135°C Db IP66 EX DR ITC 185°C, 135°C Db IP66 IEC EX UL 15, 00534 -50°C ST 185+55°C (40 C ST 185+55°C WITH AMMETER) CLASS III, TYPE 3/4X/12/13, -50°C ST 185+160°C	
TR RU CUS:W1062.B.04167 IEX:16.0079 INMETRO		SEE IOM FORM K146 FOR ELECTRICAL RATINGS.	

CERTIFICATION NAME PLATES

HKH SERIES CONTROL STATIONS
 PART CODE: **HKH1BNDAS440**
 COMPANY CODE: **WWW.HKSHAMHARDWARE.COM**

MFG. NAME PLATE (REF.)

REVISION	DATE	BY	DESCRIPTION
A	09/21/2016	PR	HKH MODIFIED ENCLOSURE (HKH1BNDAS440)

COMMENT:

SGN:

DATE:

ACCEPTANCE:

DRAWN BY:

DATE:

DWG NUMBER:

SALES/QUOTE NO.:

ITEM:

CODE 1: APPROVED (NO COMMENTS)

CODE 2: APPROVED FOR MANUFACTURING

CODE 3: NOT APPROVED RE-SUBMIT

CODE 4: FOR INFORMATION ONLY

TITLE:

HKH MODIFIED ENCLOSURE (HKH1BNDAS440)

SALES/QUOTE NO.:

SALES/QUOTE NO.:

ITEM:

ENTRY HUB/GLAND SELECTION CHART*	
ENTRY NO.	HUB/GLAND:
ENTRY 1	NONE

*HUBS & CABLE GLANDS ARE SHIPPED WITH ENCLOSURE