

4

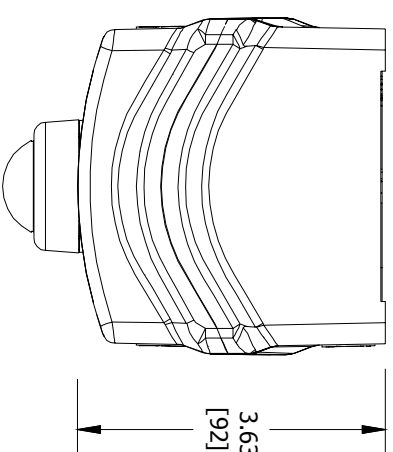
3

2

1

ENCLOSURE INFORMATION	
P/N:	DESCRIPTION:
2319/CBAM	BOX PLASTIC 1b, 3/4 NPT BOTTOM
2319/GAAB	COVER PLASTIC HKH 1b, TWO DEVICE
MOUNT METHOD:	HKH PANEL MOUNT BRACKET, C. B. & P. L. (2 PL.)
DEVICE 1 ASSEMBLY (1F)	
P/N:	DESCRIPTION:
HKHPLR	PILOT LIGHT RED LENS ASSEMBLY
LGND. PLATE:	Blank
LOCKOUT ACQY:	N/A
CONTACT 1:	PILOT LIGHT MOD,PM
DEVICE 2 ASSEMBLY (2F)	
P/N:	DESCRIPTION:
HKHPLG	PILOT LIGHT GREEN LENS ASSEMBLY
LGND. PLATE:	Blank
LOCKOUT ACQY:	N/A
CONTACT 1:	PILOT LIGHT MOD,PM

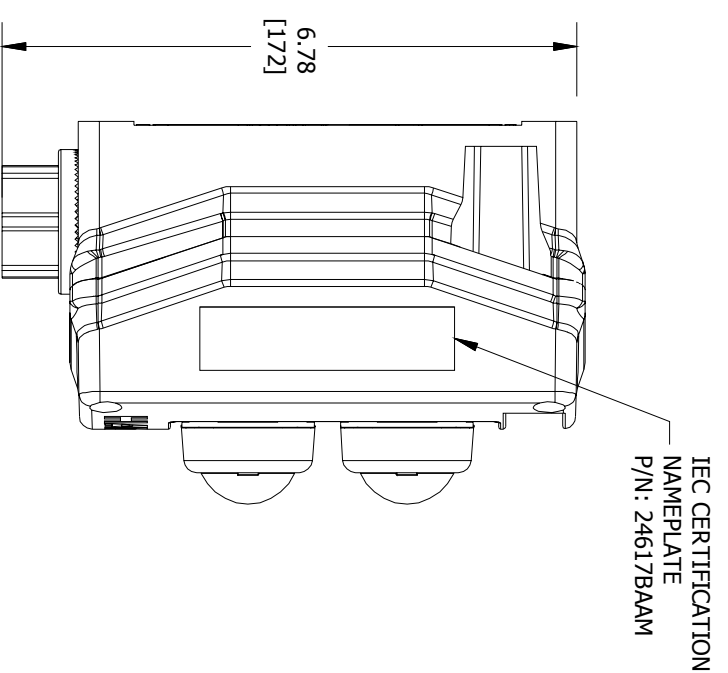
PILOT LIGHT RATINGS:
LIGHT EMITTING DIODE
12-254 VAC/VDC LED
0.6WTERMINALS RATED FOR 1-2 CONDUCTORS
#22-10 AWG. (0.5-4mm2)



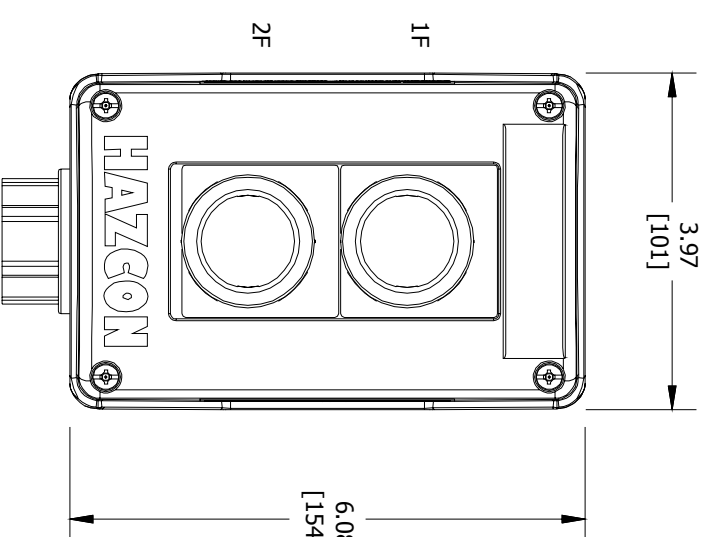
TOP VIEW

 HUBBELL Harsh & Hazardous www.harshandhazardous.com	CAT. NO. HKHMOD Series DATE CODE 5/N	DATE CODE 5/N ST. LOUIS, MO 63113
		TR RU C-US.M1062.B.04167 IEX 16.0079 INVERTRO
INDUSTRIAL CONTROL EQUIPMENT FOR USE IN ZONE CLASSIFIED HAZ. LOC5. CLASS I, ZONE 1, AEX de IIC T6...T4 Gb; Ex de IIC T6...T4 Gb CLASS II, DIV.2, GRPS. A, B, C, D; CLASS II, DIV.1, GRPS. E, F, G (CANADA ONLY) CLASS III; TYPE 3/4/4X/12/13; -50°C STa5+60°C	SEE IOM FORM K1466 FOR ELECTRICAL RATINGS.	SEE IOM FORM K1466 & K1470 FOR T-CODES AND FOR ELECTRICAL RATINGS.
DEMKO 15 ATEX 1405X Ex de IIC T6 T4 Gb Ex de IIC T85°C T135°C Db IP66 IECEx U1 15 0054X -50°C STa5+60°C -40°C ≤Ta5+55°C WITH AMMETER)	 	 A243

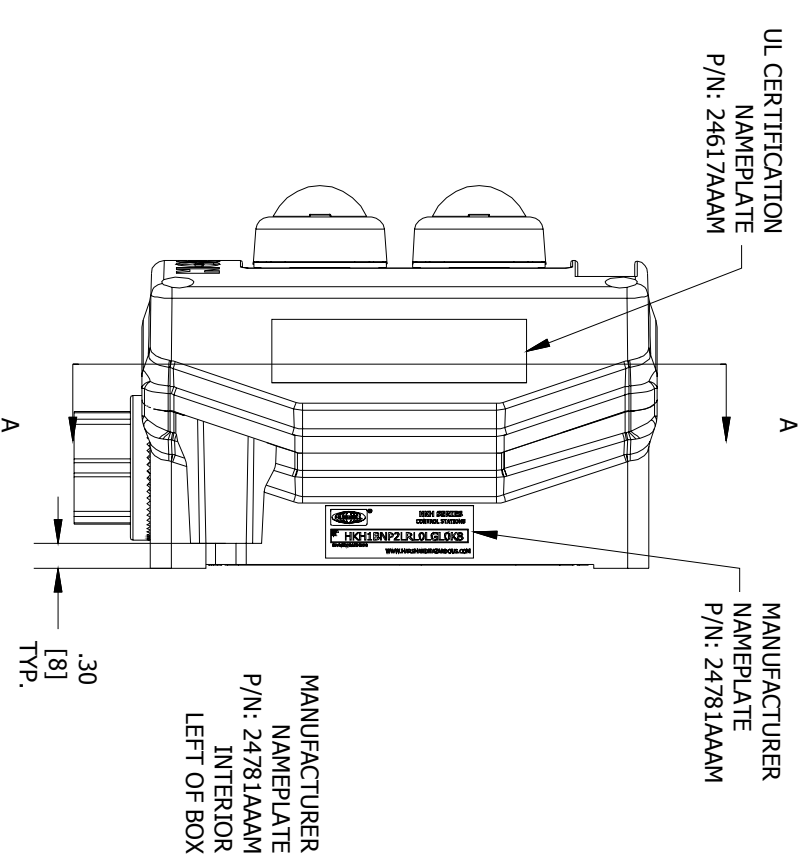
CERTIFICATION NAME PLATES



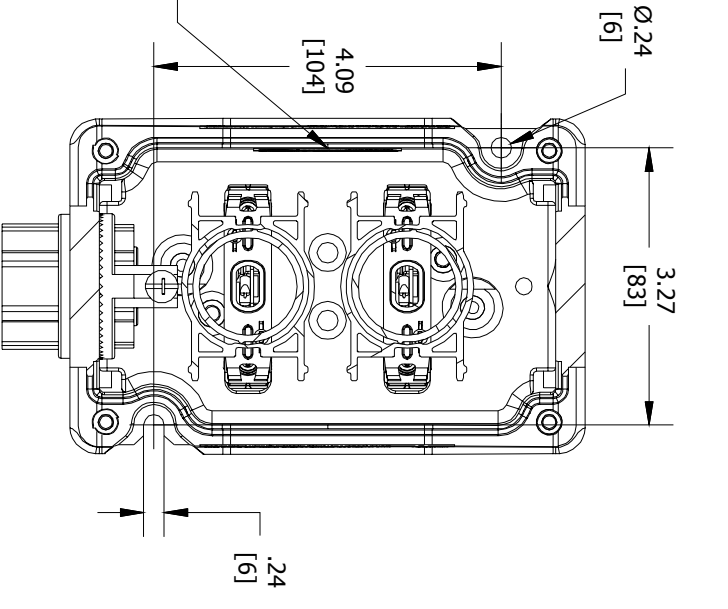
LEFT SIDE VIEW



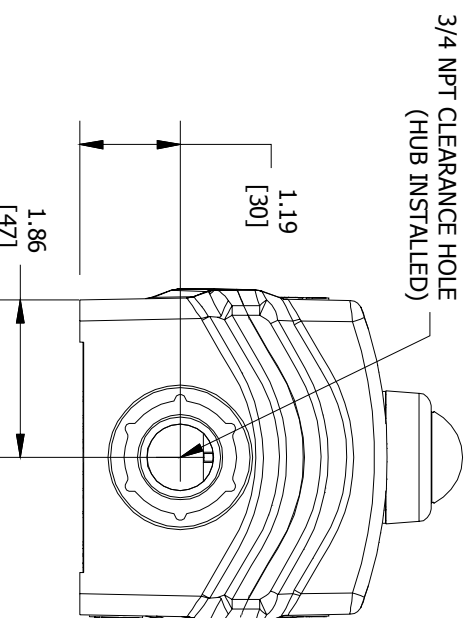
FRONT VIEW



RIGHT SIDE VIEW



SECTION A-A VIEW



BOTTOM VIEW

COMMENT:

SGN:

DATE:

ACCEPTANCE:

DRAWN BY:

DATE:

DWG NUMBER:

ITEM:

CODE 1: APPROVED (NO COMMENTS)

CODE 2: APPROVED FOR MANUFACTURING WITH COMMENTS TO BE INCORPORATED

CODE 3: NOT APPROVED RE-SUBMIT

CODE 4: FOR INFORMATION ONLY

ENTRY HUB/GLAND SELECTION CHART*

ENTRY NO.	HUB/GLAND:
ENTRY 1	K8: WH-2SSG

*HUBS & CABLE GLANDS ARE SHIPPED WITH ENCLOSURE

HKH SERIES
CONTROL STATIONS
 CAT. NO.
HKH1BNP2LR10LG10K8
 COUNT/DATE CODE

www.harshandhazardous.com

MFG. NAME PLATE (REF.)

REVISION


KILLARK
THIS DOCUMENT IS THE PROPERTY OF HUBBELL - KILLARK. IT IS LOANED TO YOU AND MUST NOT BE USED IN ANY WAY DETRIMENTAL TO THE INTEREST HUBBELL - KILLARK.

 TITLE:
 HKH MODIFIED ENCLOSURE
 (HKH1BNP2LR10LG10K8)

SALES/QUOTE NO.:

DATE:

SHEET 1 OF 1

A

B

C

D

A

B

C

D

4

3

2

1