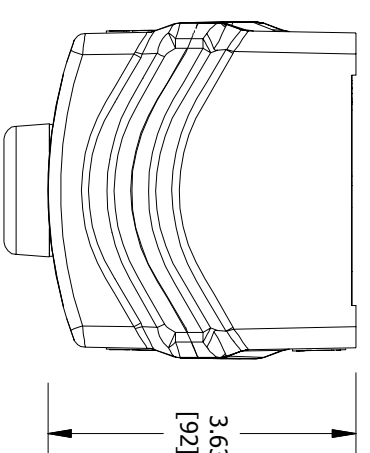


ENCLOSURE INFORMATION	
P/N:	DESCRIPTION:
2319/CBAM	BOX PLASTIC 1b, 3/4 NPT BOTTOM
2319/BAAB	COVER PLASTIC 1b, ONE DEVICE
HKHMBRKT	HKH PANEL MOUNT BRACKET, C. B. & P. L. (1 PL.)
MOUNT METHOD:	
DEVICE 1 ASSEMBLY (1F)	
P/N:	DESCRIPTION:
HKHBMSS	PUSH BUTTON, MOM., START,(I),STOP(O),BLK
LGND. PLATE:	N/A
LOCKOUT ACY:	N/A
CONTACT 1:	CONTACT BLCK, FACT SEALED N.O. PM, 20A
CONTACT 2:	CONTACT BLCK, FACT SEALED N.C. PM, 20A

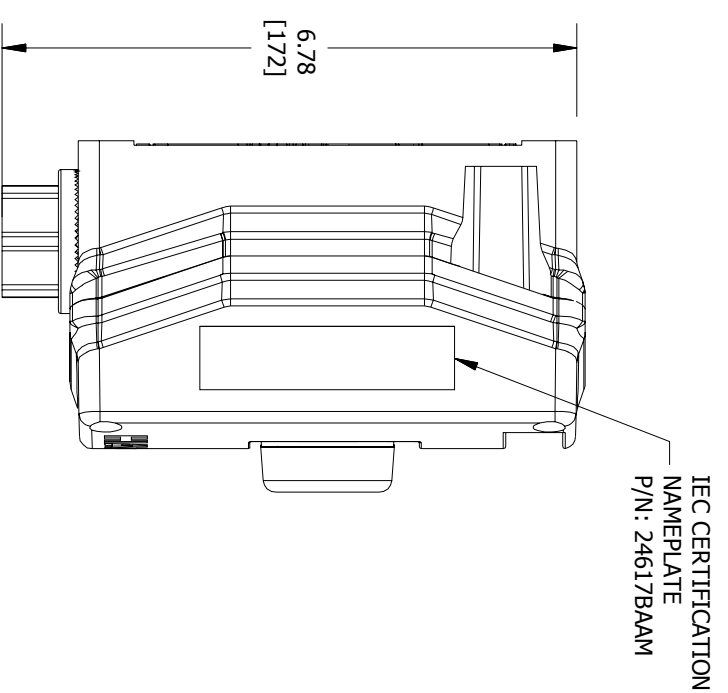
CONTACT BLOCK RATINGS:
690 VAC, 20A, 50-60
60 VDC, 5A, 110VDC, 1.5A

1/2 HP @ 120 VAC, 1 HP @ 208/240/277VAC
NEMA A600/P600 - PILOT DUTY
350VAC, 20A - TUNGSTEN
AC690V 16A AC-12
AC230V 16A AC-15
50-60HZ
DC60V 5A DC-13
TERMINALS RATED FOR 1-2 CONDUCTORS
#22-10 AWG. (0.5-4mm²)

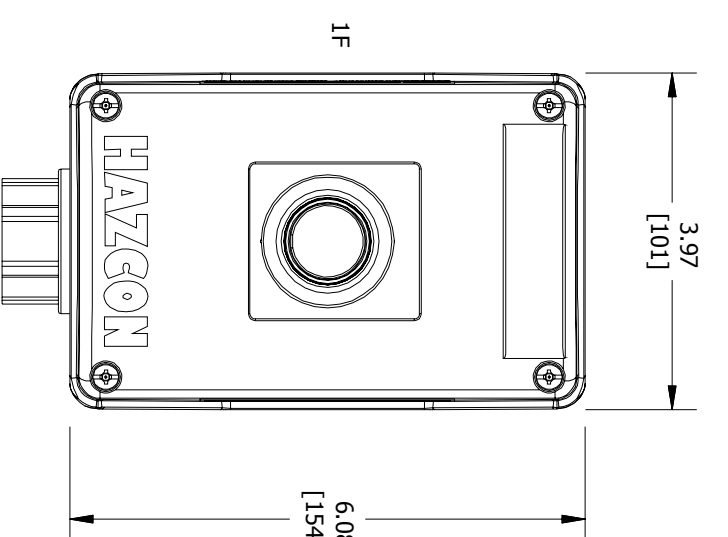
- *SUPPLIED WITH 7 COLORED INSERTS:
1. "STOP" (RED)
 2. "START" (GREEN)
 3. "I" (GREEN)
 4. "O" (RED)
 5. BLANK (BLACK)
 6. BLANK (GREEN)
 7. BLANK (RED)



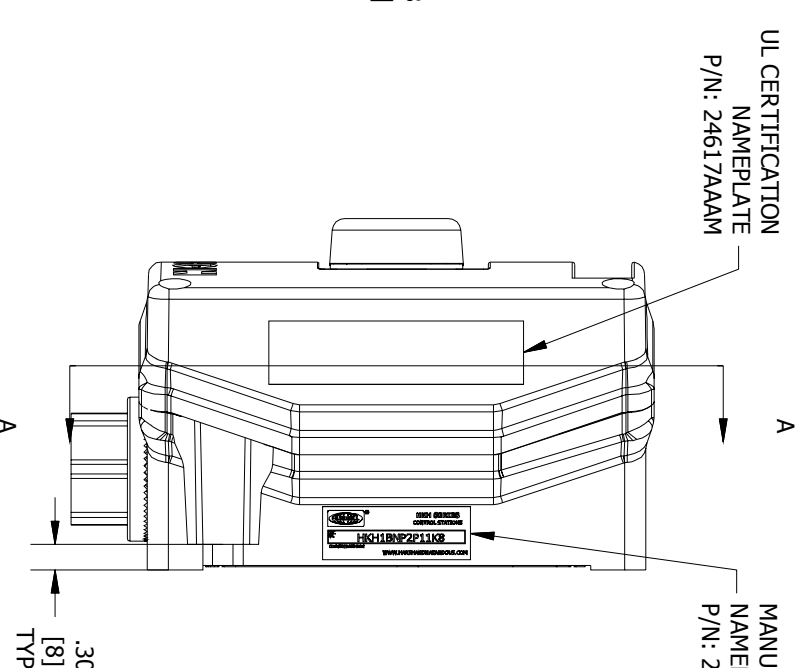
TOP VIEW



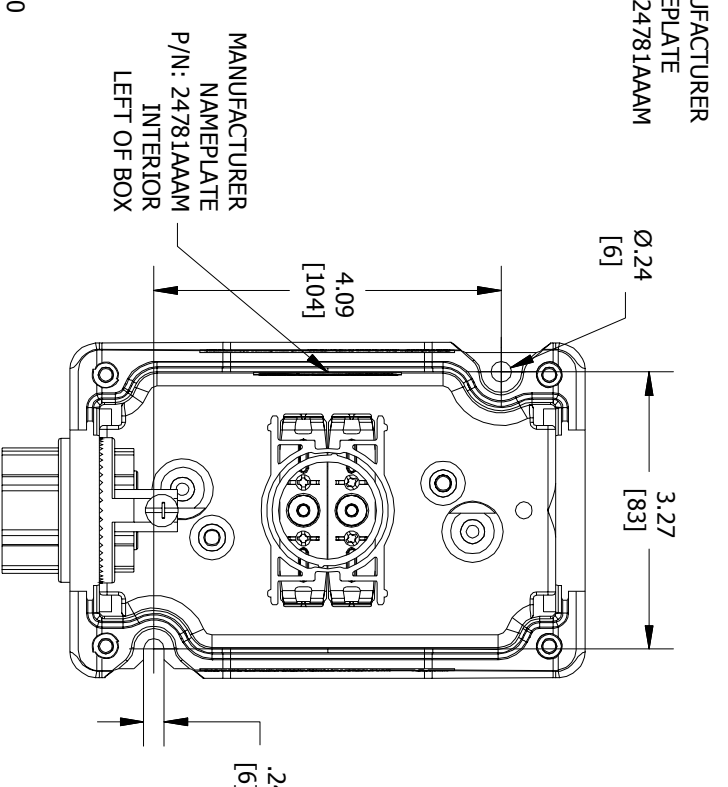
LEFT SIDE VIEW



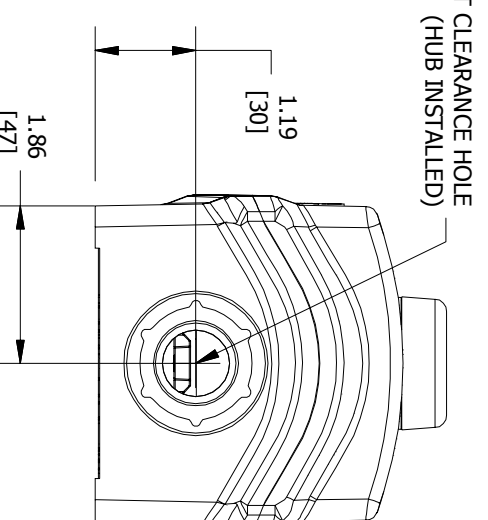
FRONT VIEW



RIGHT SIDE VIEW



SECTION A-A VIEW



BOTTOM VIEW

HKHMOD Series

DATE CODE: 5/N

ST. LOUIS, MO 63113

SEE IOM FORM K1466 & K1470

FOR 1-CODES AND FOR ELECTRICAL RATINGS.

ST. LOUIS, MO 63113

DATE CODE: 5/N

TR RU C-US, M1062, B,04167 IEX 16.0079 INNETRO

SEE IOM FORM K1466 FOR ELECTRICAL RATINGS.

HKHMOD Series

CAT. NO. HKHMOD Series

DATE CODE: 5/N

ST. LOUIS, MO 63113

INDUSTRIAL CONTROL EQUIPMENT FOR USE IN ZONE CLASSIFIED HAZ. LOCs.

CLASS I, ZONE 1, AEx de IIC T6...T4 Gb; Ex de IIC T6...T4 Gb

CLASS II, DIV.2, GRPS. A,B,C,D; CLASS II, DIV.1, GRPS. E,F,G (CANADA ONLY)

CLASS III, TYPE 3/4/4X/12/13, -50°C ≤TAs≤+60°C

SEE IOM FORM K1466 FOR ELECTRICAL RATINGS.

HKH SERIES CONTROL STATIONS

HKH1BNP2P11K8

WWW.HARSHANDHAZARDOUS.COM

MFG. NAME PLATE (REF.)

COMMENT:

SGN:

DATE:

ACCEPTANCE:

DRAWN BY:

DATE:

DWG NUMBER:

ITEM:

CODE 1: APPROVED (NO COMMENTS)

CODE 2: APPROVED FOR MANUFACTURING WITH COMMENTS TO BE INCORPORATED

PR

08/25/2016

SALES/QUOTE NO.:

N/A

CODE 3: NOT APPROVED RE-SUBMIT

CODE 4: FOR INFORMATION ONLY

TITLE:

HKH MODIFIED ENCLOSURE

N/A

N/A

REVISION



KILLARK

THIS DOCUMENT IS THE PROPERTY OF HUBBEL - KILLARK. IT IS LOANED TO YOU AND MUST NOT BE USED IN ANY WAY DETRIMENTAL TO THE INTEREST HUBBEL - KILLARK.

2

1

SHEET 1 OF 1

1