

4

3

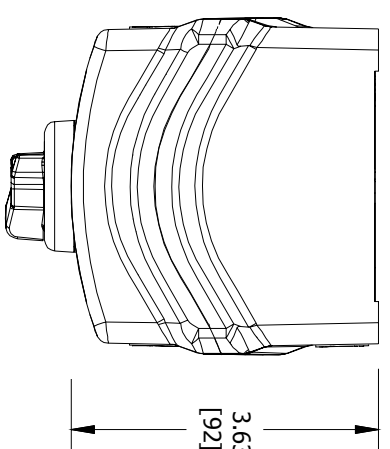
2

1

ENCLOSURE INFORMATION	
P/N:	2319/CBAM
DESCRIPTION:	BOX PLASTIC 1b, 3/4 NPT BOTTOM
BOX:	2319/CBAM
COVER:	2319/BAAB
COVER PLASTIC 1b, ONE DEVICE	
MOUNT METHOD:	HKH PANEI MOUNT BRACKET, C. B. & P. L. (1 PL.)
	HKHPMBRT
	AC230V 16A AC-15
	AC230V 16A AC-15
	50-60HZ
	DC60V 5A DC-13
	TERMINALS RATED FOR 1-2 CONDUCTORS
	#22-10 AWG. (0.5-4mm ²)
DEVICE 1 ASSEMBLY (1F)	
P/N:	HKH2P5MTV
DESCRIPTION:	2 POS SEL SWT MAINTAINED CONTACT, VERT
DEVICE:	HKH2P5MTV
LGND. PLATE:	23225/ABAB
OFF/ON	
LOCKOUT ACQY:	NONE
N/A	
CONTACT 1:	HKHINO20P
CONTACT BLACK, FACT SEALED N.O. PM, 20A	
CONTACT 2:	HKHINC20P
CONTACT BLACK, FACT SEALED N.C. PM, 20A	

CONTACT BLOCK RATINGS:
690 VAC, 20A, 50-60
60 VDC, 5A, 110VDC, 1.5A

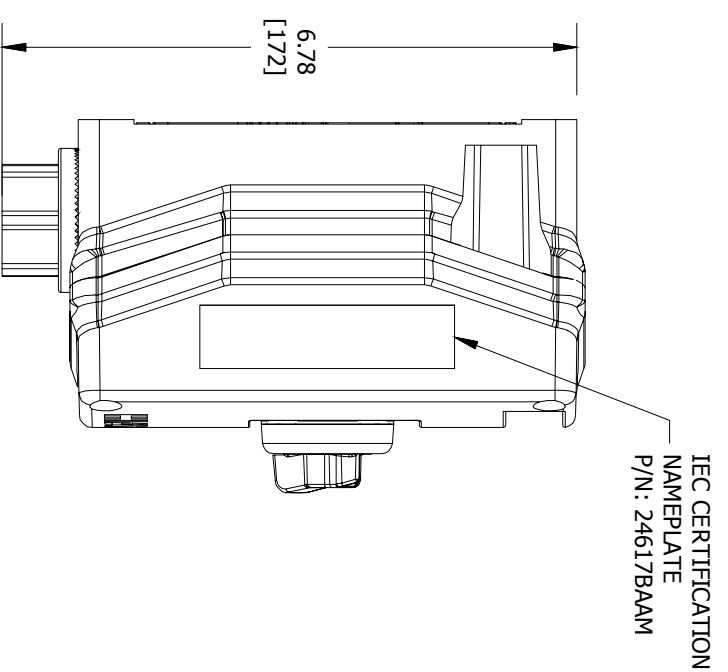
1/2 HP @ 120 VAC, 1 HP @ 208/240/277VAC
NEMA A600/P600 - PILOT DUTY
350VAC, 20A - TUNGSTEN
AC690V 16A AC-12
AC230V 16A AC-15
50-60HZ
DC60V 5A DC-13
TERMINALS RATED FOR 1-2 CONDUCTORS
#22-10 AWG. (0.5-4mm²)



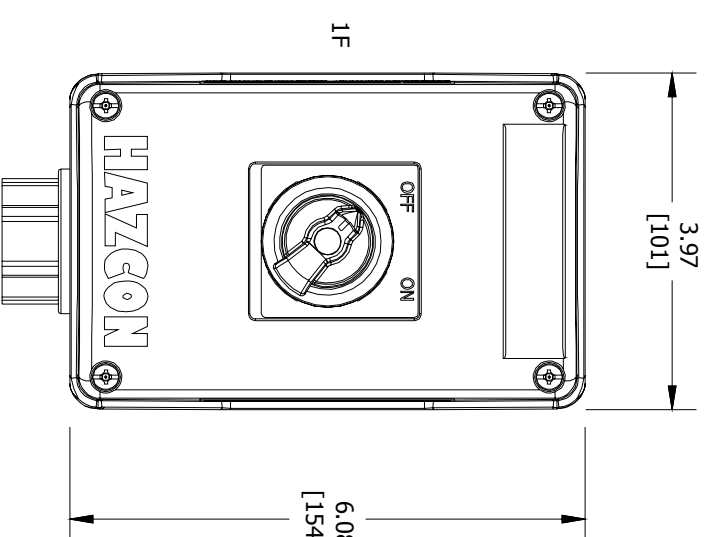
TOP VIEW

 Hubbell & Hazardous WWW.HARSHANDHAZARDOUS.COM	CAT. NO. HKHMOD Series	DATE CODE 5/N ST. LOUIS, MO 63113	IEC Ex de IIC T6...T4 Gb IIBD Ex tb IIIC T85°C...T135°C Db IP66 DEMKO 15 ATEX 1405X Ex de IIC T6...T4 Gb Ex tb IIIC T85°C...T135°C Db IP66 IECEx UL 15.0054X -50°C STAs+60°C -40°C STAs+55°C WITH AMMETER)	TR RU C-US, M1062, B,04167 IEX 16.0079 INNETRO
			SEE IOM FORM K1466 & K1470 FOR T-CODES AND FOR ELECTRICAL RATINGS.	 ST. LOUIS, MO 63113 LISTED A243

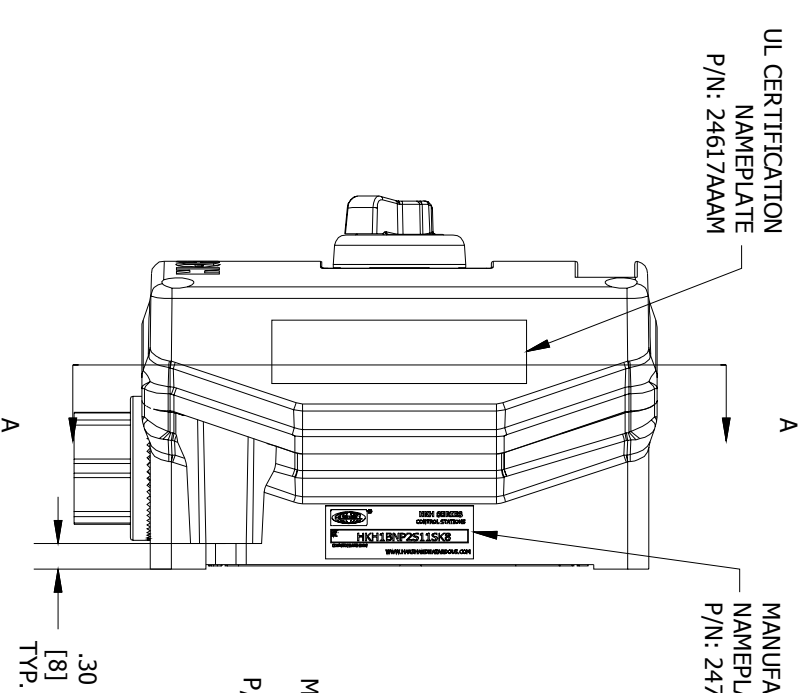
CERTIFICATION NAME PLATES



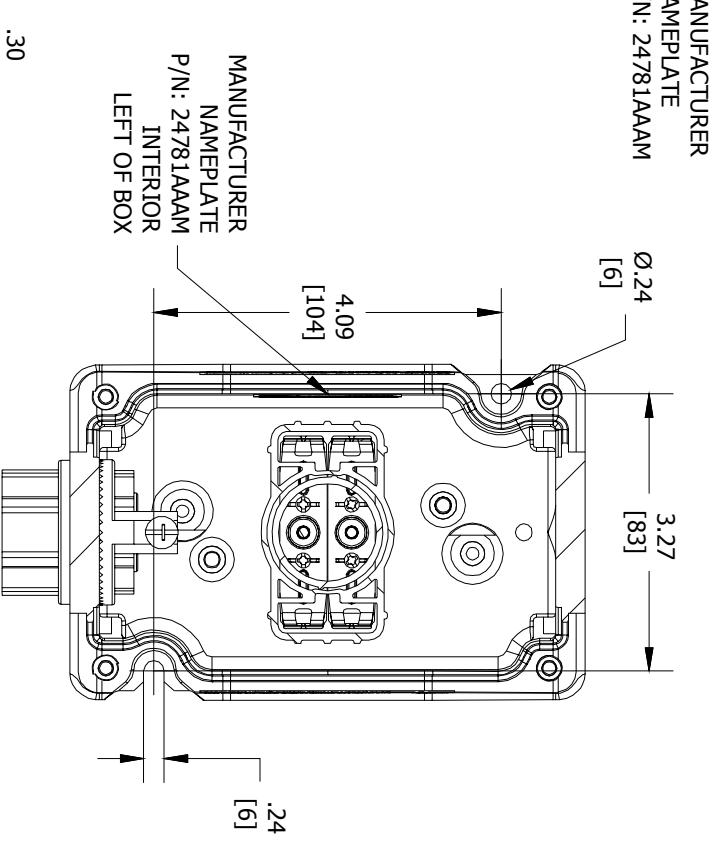
LEFT SIDE VIEW



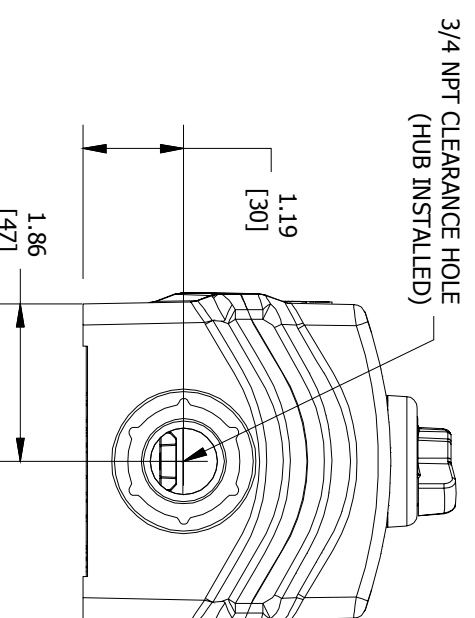
FRONT VIEW



RIGHT SIDE VIEW



SECTION A-A VIEW



BOTTOM VIEW

COMMENT:

ACCEPTANCE:

DRAWN BY:

DATE:

DWG NUMBER:

SALES/QUOTE NO.:

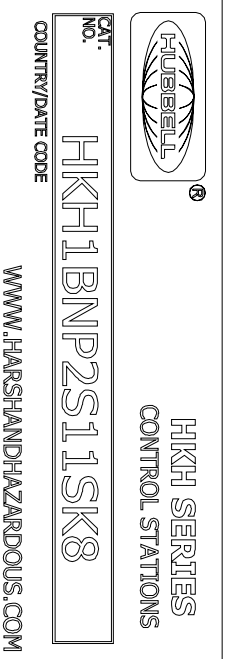
ITEM:

ENTRY HUB/GLAND SELECTION CHART*

ENTRY NO. HUB/GLAND:

ENTRY 1 K8: WH-255G

*HUBS & CABLE GLANDS ARE SHIPPED WITH ENCLOSURE



MFG. NAME PLATE (REF.)

REVISION



KILLARK

THIS DOCUMENT IS THE PROPERTY OF HUBBELL - KILLARK. IT IS LOANED TO YOU AND MUST NOT BE USED IN ANY WAY DETRIMENTAL TO THE INTEREST HUBBELL - KILLARK.

HKH MODIFIED ENCLOSURE (HKH1BNP2S11SK8)

SHEET 1 OF 1

A

B

C

D

A

B

C

D

4

3

2

1