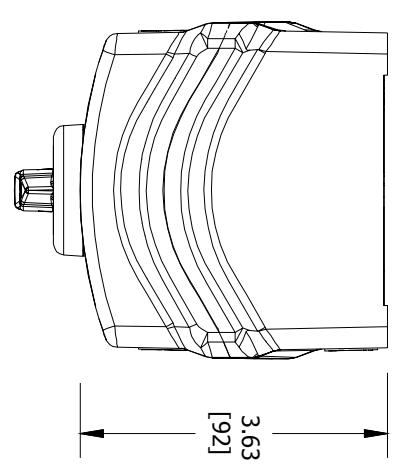


ENCLOSURE INFORMATION	
P/N:	2319/CBAM
BOX:	2319BBAAB
COVER:	HKH1BMP2S349K8
MOUNT METHOD:	HKH1BMP2S349K8
DEVICE 1 ASSEMBLY (1F)	
P/N:	HKH2P5MTV
DEVICE:	3 POS SEL SWT MAINT CONT IND CAM, VERT
LGND. PLATE:	23225ACAB
LOCKOUT ACV:	NONE
CONTACT 1:	HKH1NO20P
CONTACT 2:	HKH1NO20P

CONTACT BLOCK RATINGS:
 690 VAC, 20A, 50-60
 60 VDC, 5A, 110VDC, 1.5A

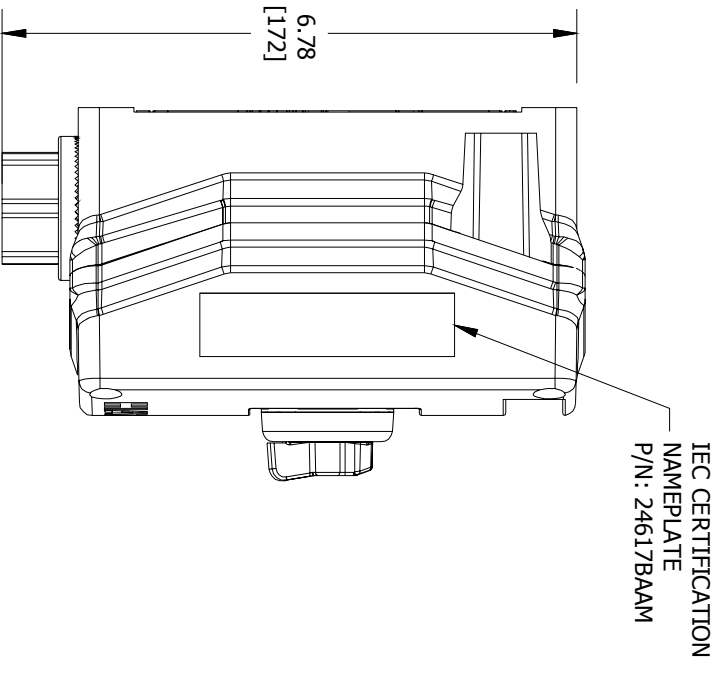
1/2 HP @ 120 VAC, 1 HP @ 208/240/277VAC
 NEMA A600/P600 - PILOT DUTY
 350VAC, 20A - TUNGSTEN
 AC690V 16A AC-12
 AC230V 16A AC-15
 50-60HZ
 DC60V 5A DC-13
 TERMINALS RATED FOR 1-2 CONDUCTORS
 #22-10 AWG. (0.5-4mm²)



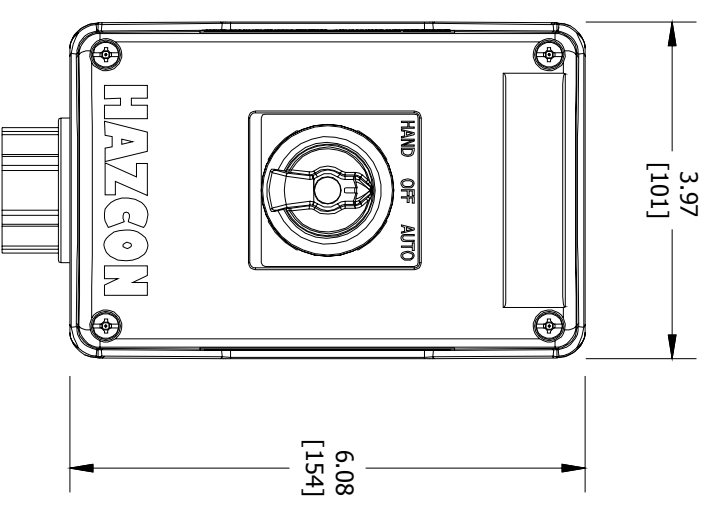
TOP VIEW

 Harsh & Hazardous WWW.HARSHANDHAZARDOUS.COM	CAT. NO. HKHMOD Series DATE CODE-S/N
	SEE IOM FORM K1466 & K1470 FOR T-CODES AND FOR ELECTRICAL RATINGS.
INDUSTRIAL CONTROL EQUIPMENT FOR USE IN ZONE CLASSIFIED HAZ. LOCS. CLASS I, ZONE 1, AEx de IIC T6...T4 Gb; Ex de IIC T6...T4 Gb ZONE 21, AEx tb IIIC T85°C...T135°C Db IP66; Ex tb IIIC T85°C...T135°C Db IP66 CLASS I, DIV.2, GRP5, A,B,C,D; CLASS II, DIV.1, GRP5, E,F,G (CANADA ONLY) CLASS II, DIV.2, GROUPS E,F,G; CLASS III CLASS III: TYPE 3/4/4X/12/13; -50°C ≤T _{as} +60°C	DATE CODE-S/N ST. LOUIS, MO 63113 LISTED A243
TR RU C-US-MIO62.B.04167 IEX 16.0079 INMETERO (-40°C ≤T _{as} +55°C WITH AMMETER)	SEE IOM FORM K1466 FOR ELECTRICAL RATINGS.

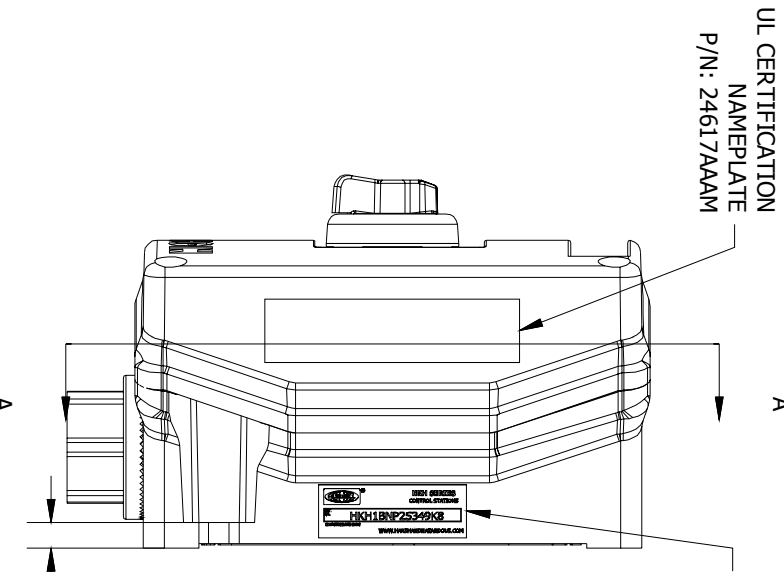
CERTIFICATION NAME PLATES



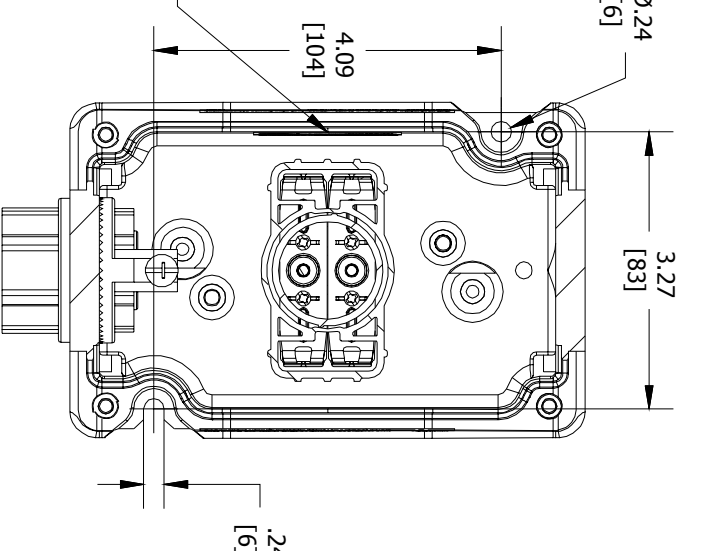
LEFT SIDE VIEW



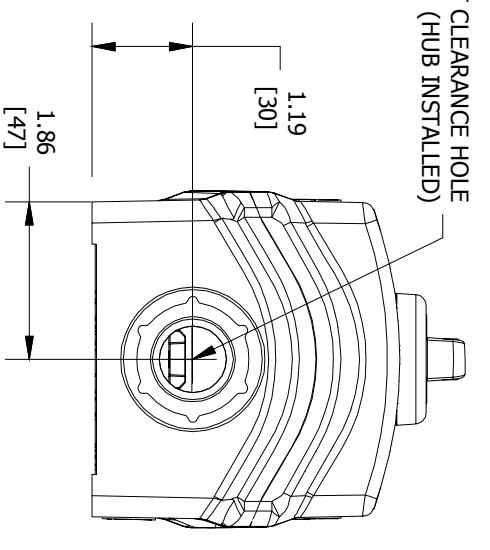
FRONT VIEW



RIGHT SIDE VIEW



SECTION A-A VIEW



BOTTOM VIEW

ENTRY HUB/GLAND SELECTION CHART*	
ENTRY NO.	HUB/GLAND:
ENTRY 1	K8: WH-2SSG

*HUBS & CABLE GLANDS ARE SHIPPED WITH ENCLOSURE

COMMENT:

SGN:

DATE:

ACCEPTANCE:

DRAWN BY:

DATE:

DWG NUMBER:

ENTRY NO.

CODE 1: APPROVED (NO COMMENTS)

CODE 2: APPROVED FOR MANUFACTURING WITH COMMENTS TO BE INCORPORATED

CODE 3: NOT APPROVED RE-SUBMIT

CODE 4: FOR INFORMATION ONLY

PR

SALES/QUOTE NO.:

ITEM: N/A

HKH SERIES
CONTROL STATIONS

PART NO. **HKH1BNP2S349K8**
 COUNT/DATE CODE

WWW.HARSHANDHAZARDOUS.COM

MFG. NAME PLATE (REF.)

REVISION



KILLARK

THIS DOCUMENT IS THE PROPERTY OF HUBBELL - KILLARK. IT IS LOANED TO YOU AND MUST NOT BE USED IN ANY WAY DETRIMENTAL TO THE INTEREST HUBBELL - KILLARK.

HKH MODIFIED ENCLOSURE (HKH1BNP2S349K8)

SHEET 1 OF 1