

4

3

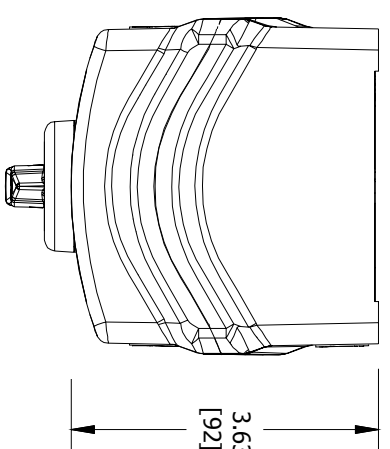
2

1

ENCLOSURE INFORMATION	
P/N:	2319/CBAM
DESCRIPTION:	BOX PLASTIC 1b, 3/4 NPT BOTTOM
BOX:	2319/CBAM
COVER:	2319/BAAB
COVER PLASTIC 1b, ONE DEVICE	
MOUNT METHOD:	HKH1BNP2S440K8
HKH PANEL MOUNT BRACKET, C. B. & P. L. (1 PL.)	
DEVICE 1 ASSEMBLY (1F)	
P/N:	HKH2P5MTV
DESCRIPTION:	3 POS SEL SWT MOM LTRT, MAINT CTR, VERT
LGND. PLATE:	23225AAAB
Blank	
LOCKOUT ACQY:	NONE
N/A	
CONTACT 1:	HKHINO20P
CONTACT BLACK, FACT SEALED N.O. PM, 20A	
CONTACT 2:	HKHINO20P
CONTACT BLACK, FACT SEALED N.O. PM, 20A	

CONTACT BLOCK RATINGS:  
690 VAC, 20A, 50-60  
60 VDC, 5A, 110VDC, 1.5A

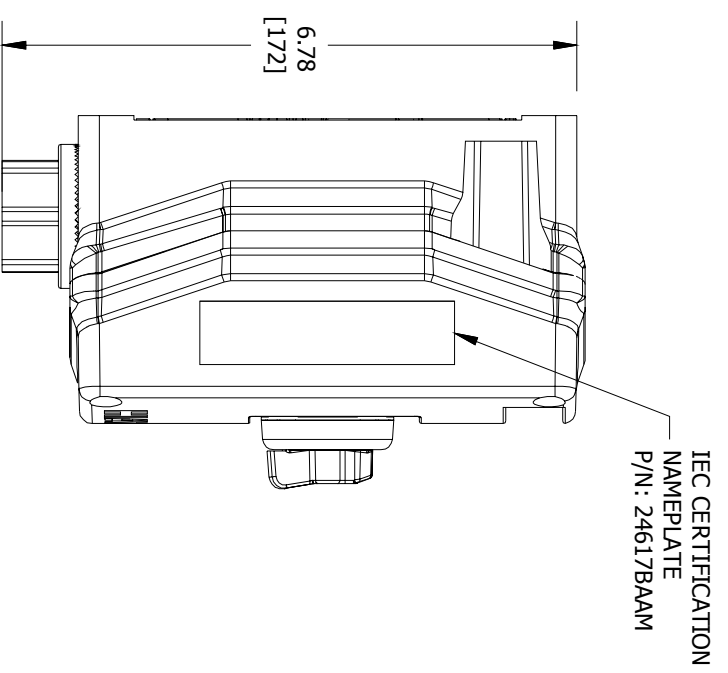
1/2 HP @ 120 VAC, 1 HP @ 208/240/277VAC  
NEMA A600/P600 - PILOT DUTY  
350VAC, 20A - TUNGSTEN  
AC690V 16A AC-12  
AC230V 16A AC-15  
50-60HZ  
DC60V 5A DC-13  
TERMINALS RATED FOR 1-2 CONDUCTORS  
#22-10 AWG. (0.5-4mm<sup>2</sup>)



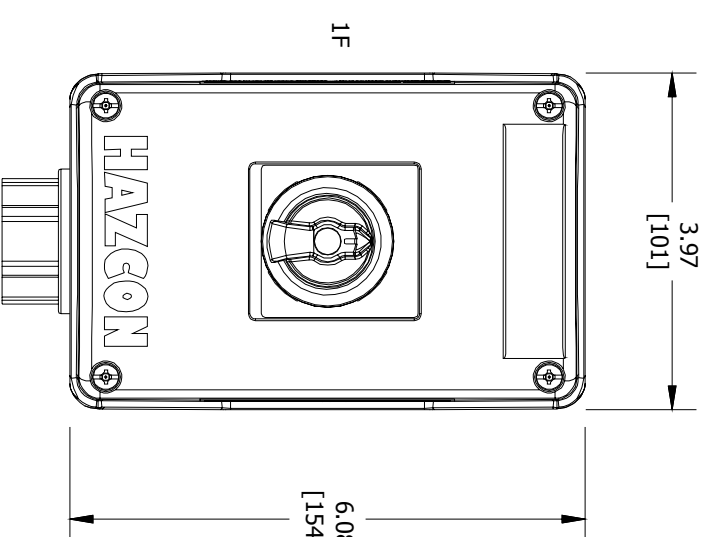
TOP VIEW

 <b>HUBBELL</b> Harsh & Hazardous WWW.HARSHANDHAZARDOUS.COM	<b>CAT. NO.</b> HKHMOD Series	DATE CODE/S/N ST. LOUIS, MO 63113
	SEE IOM FORM K1466 & K1470 FOR T-CODES AND FOR ELECTRICAL RATINGS.	SEE IOM FORM K1466 FOR ELECTRICAL RATINGS. TR RU C-US M1062.B.04167 IEX 16.0079 INMETRO (-40°C STAs+55°C WITH AMMETER)

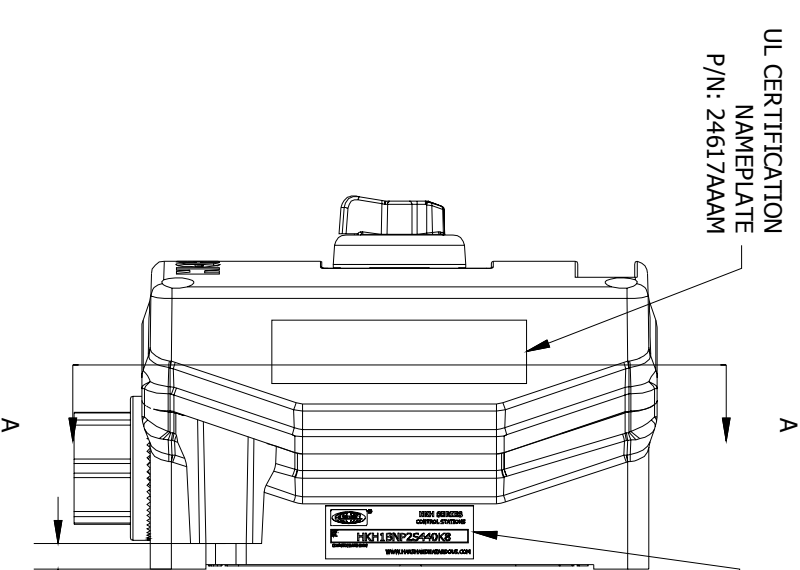
## CERTIFICATION NAME PLATES



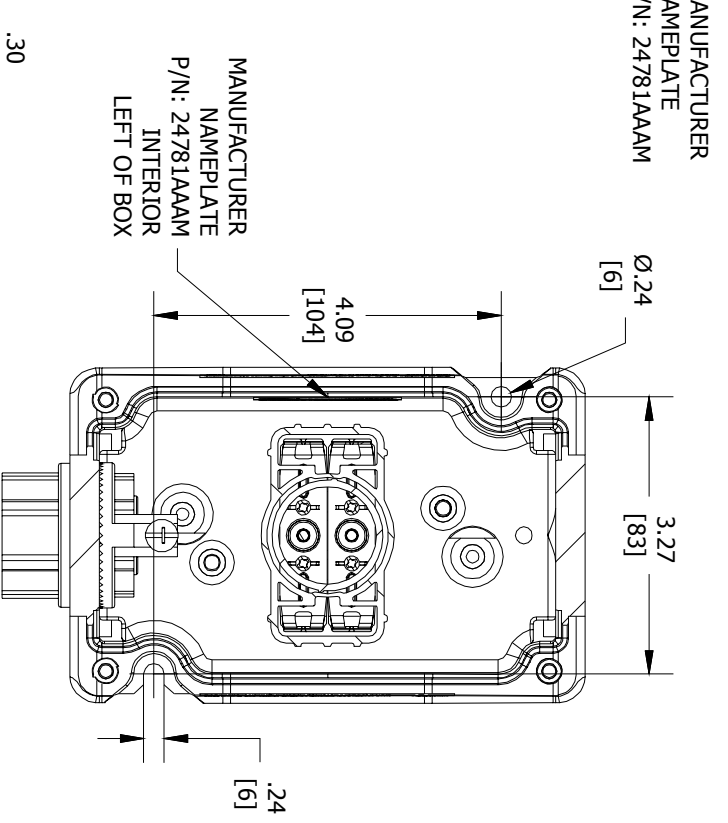
LEFT SIDE VIEW



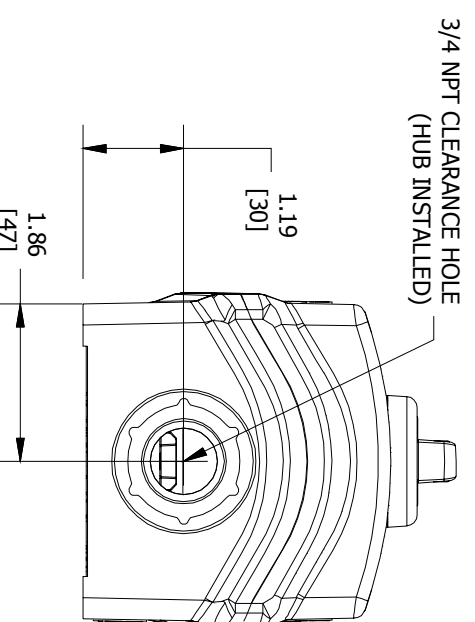
FRONT VIEW



RIGHT SIDE VIEW



SECTION A-A VIEW



BOTTOM VIEW

ENTRY HUB/GLAND SELECTION CHART*	
ENTRY NO.	HUB/GLAND:
ENTRY 1	K8: WH-2SSG

\*HUBS & CABLE GLANDS ARE SHIPPED WITH ENCLOSURE

COMMENT:

SGN:

DATE:

ACCEPTANCE:

DRAWN BY:

DATE:

DWG NUMBER:

ITEM:

CODE 1: APPROVED (NO COMMENTS)

CODE 2: APPROVED FOR MANUFACTURING

CODE 3: NOT APPROVED RE-SUBMIT

CODE 4: FOR INFORMATION ONLY

TITLE:

SALES/QUOTE NO.:

N/A

N/A

A

A



CONTROL NO. **HKH1BNP2S440K8**  
 COUNT/DATE CODE  
 WWW.HARSHANDHAZARDOUS.COM

MFG. NAME PLATE (REF.)

4

A

REVISION



3

**KILLARK**  
 THIS DOCUMENT IS THE PROPERTY OF HUBBELL - KILLARK.  
 IT IS LOANED TO YOU AND MUST NOT BE USED IN ANY WAY  
 DETRIMENTAL TO THE INTEREST HUBBELL - KILLARK.

2

HKH MODIFIED ENCLOSURE

(HKH1BNP2S440K8)

1

1

A