

4

3

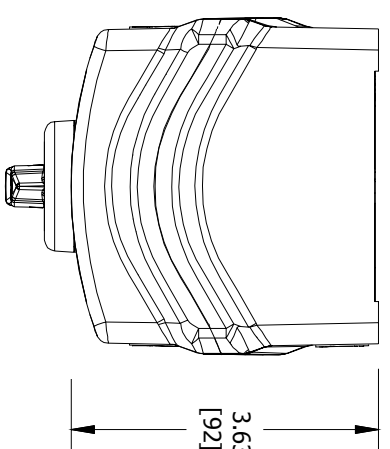
2

1

ENCLOSURE INFORMATION	
P/N:	DESCRIPTION:
2319/CBAM	BOX PLASTIC 1b, 3/4 NPT BOTTOM
2319/BAAB	COVER PLASTIC 1b, ONE DEVICE
HKH1BMPBK	HKH PANEL MOUNT BRACKET, C. B. & P. L. (1 PL.)
MOUNT METHOD:	
DEVICE 1 ASSEMBLY (1F)	
P/N:	DESCRIPTION:
HKH2P5MTV	3 POS SEL SWT MAINT L/T/CTR, MOM RT, VERT
LGND. PLATE:	Blank
LOCKOUT ACV:	N/A
CONTACT 1:	CONTACT BLCK, FACT SEALED N.O. PM, 20A
CONTACT 2:	CONTACT BLCK, FACT SEALED N.O. PM, 20A

CONTACT BLOCK RATINGS:
 690 VAC, 20A, 50-60
 60 VDC, 5A, 110VDC, 1.5A

1/2 HP @ 120 VAC, 1 HP @ 208/240/277VAC
 NEMA A600/P600 - PILOT DUTY
 350VAC, 20A - TUNGSTEN
 AC690V 16A AC-12
 AC230V 16A AC-15
 50-60HZ
 DC60V 5A DC-13
 TERMINALS RATED FOR 1-2 CONDUCTORS
 #22-10 AWG. (0.5-4mm²)



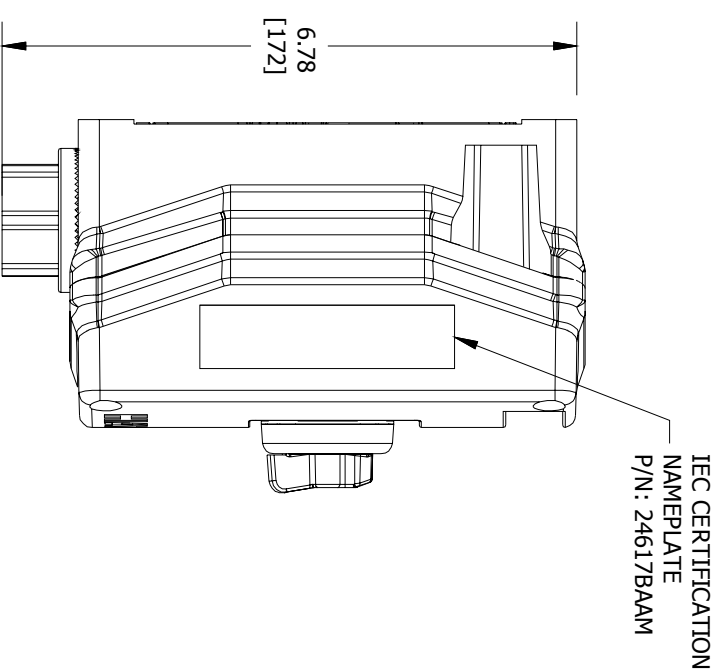
TOP VIEW

Harsh & Hazardous www.harshandhazardous.com	CAT. NO. HKHMOD Series	DATE CODE S/N ST. LOUIS, MO 63113
	DATE CODE S/N SEE IOM FORM K1466 FOR ELECTRICAL RATINGS.	DATE CODE S/N IEX 16.0079 INMETRO

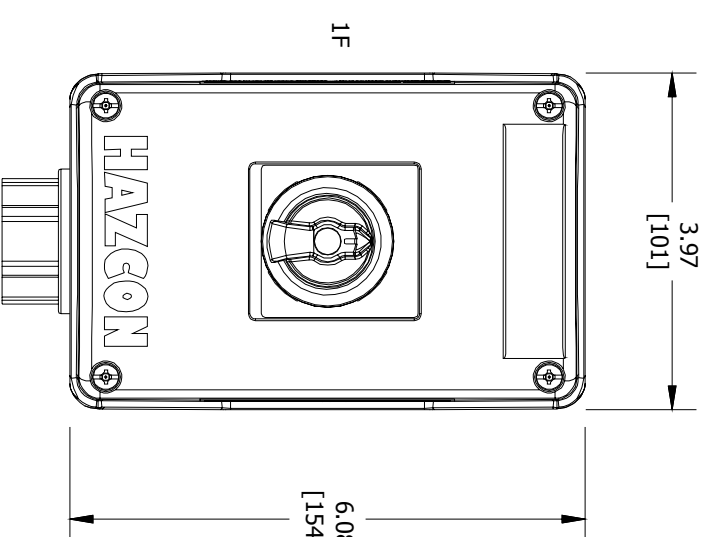
INDUSTRIAL CONTROL EQUIPMENT FOR USE IN ZONE CLASSIFIED HAZ. LOCs.
 CLASS I, ZONE 1, AEx de IIC T6...T4 Gb; Ex de IIC T6...T4 Gb
 CLASS I, ZONE 2, AEx tb IIC T85°C...T135°C Db IP66; Ex tb IIC T85°C...T135°C Db IP66
 CLASS II, DIV. 2, GRPs, A,B,C,D; CLASS II, DIV. 1, GRPs, E,F,G (CANADA ONLY)
 CLASS III; TYPE 3/4/4X/12/13; -50°C ≤Tas≤+60°C

SEE IOM FORM K1466 FOR ELECTRICAL RATINGS.

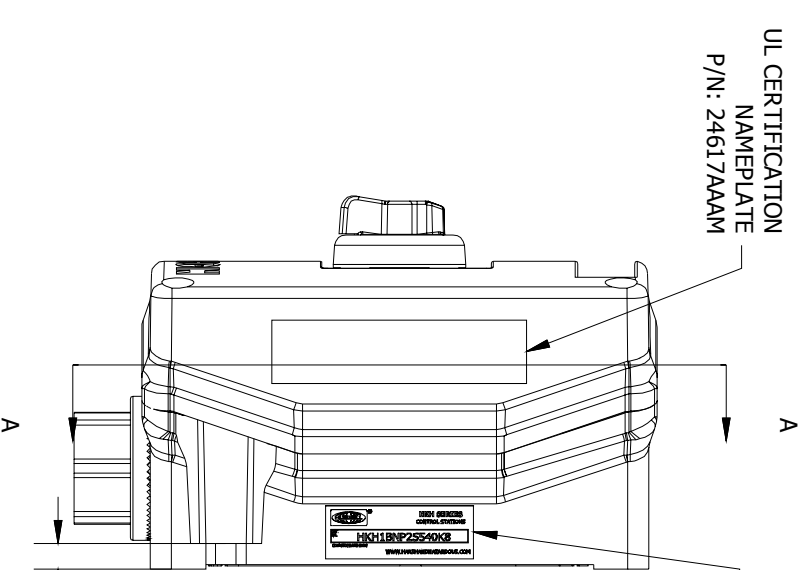
CERTIFICATION NAME PLATES



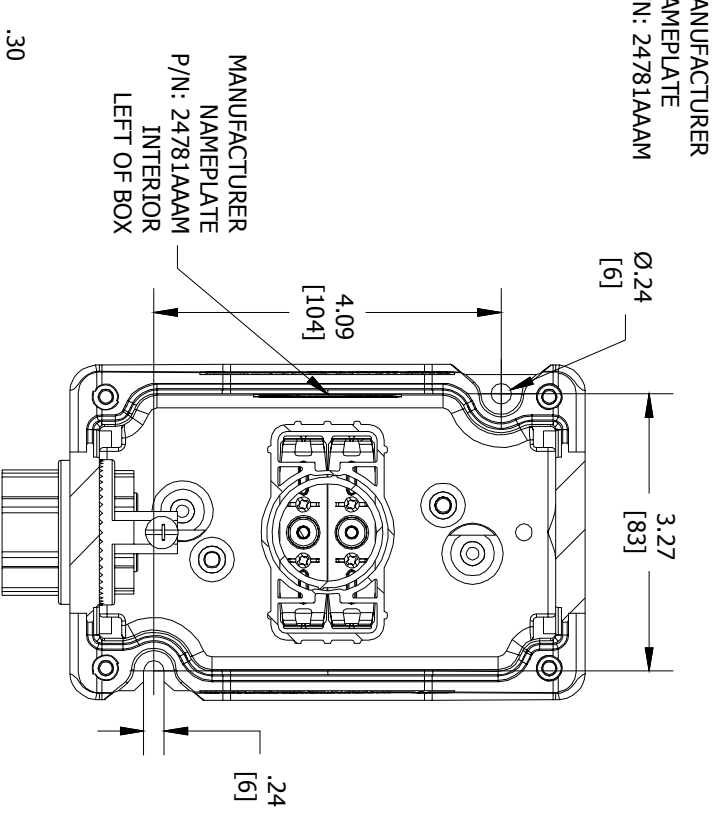
LEFT SIDE VIEW



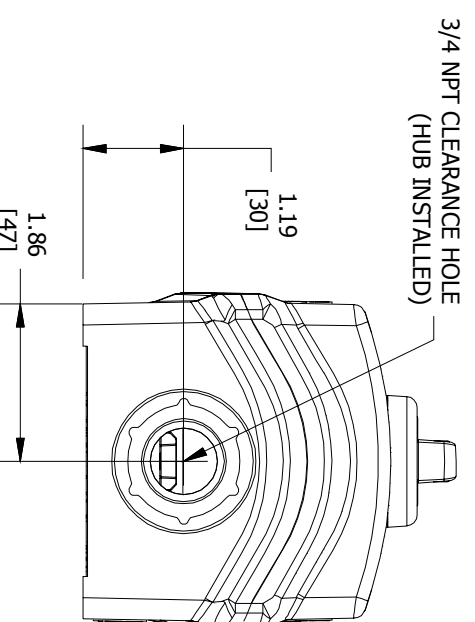
FRONT VIEW



RIGHT SIDE VIEW



SECTION A-A VIEW



BOTTOM VIEW

COMMENT:

SGN:

DATE:

ACCEPTANCE:

DRAWN BY:

DATE:

DWG NUMBER:

CODE 1: APPROVED (NO COMMENTS)
 CODE 2: APPROVED FOR MANUFACTURING WITH COMMENTS TO BE INCORPORATED
 CODE 3: NOT APPROVED RE-SUBMIT
 CODE 4: FOR INFORMATION ONLY

PR

09/21/2016

SALES/QUOTE NO.:

ITEM: N/A

HKH SERIES CONTROL STATIONS MFG. NAME PLATE (REF.) HKH1BNP2S540K8 COUNT/DATE CODE www.harshandhazardous.com
--

4

3

2

1

REVISION



KILLARK

THIS DOCUMENT IS THE PROPERTY OF HUBBELL - KILLARK. IT IS LOANED TO YOU AND MUST NOT BE USED IN ANY WAY DETRIMENTAL TO THE INTEREST HUBBELL - KILLARK.

HKH MODIFIED ENCLOSURE (HKH1BNP2S540K8)

SHEET 1 OF 1

ENTRY HUB/GLAND SELECTION CHART*

ENTRY NO.	HUB/GLAND:
ENTRY 1	K8: WH-2SSG

*HUBS & CABLE GLANDS ARE SHIPPED WITH ENCLOSURE