

4

3

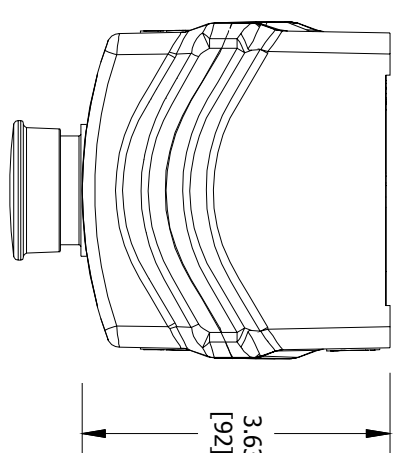
2

1

ENCLOSURE INFORMATION	
P/N:	DESCRIPTION:
23197KBAM	BOX PLASTIC 1b, M20 BOTTOM
23194BAAB	COVER PLASTIC 1b, ONE DEVICE
HKHMBRKT	HKH PANEL MOUNT BRACKET, C. B. & P. L. (1 PL.)
MOUNT METHOD:	
DEVICE 1 ASSEMBLY (1F)	
P/N:	DESCRIPTION:
HKHBPMTNR	MAINTAINED PUSH PULL MUSHROOM HD, RED
LGND. PLATE:	EMERGENCY STOP
LOCKOUT ACY:	N/A
CONTACT 1:	CONTACT BLCK, FACT SEALED N.O. PM, 20A
CONTACT 2:	CONTACT BLCK, FACT SEALED N.O. PM, 20A

CONTACT BLOCK RATINGS:
 690 VAC, 20A, 50-60
 60 VDC, 5A, 110VDC, 1.5A

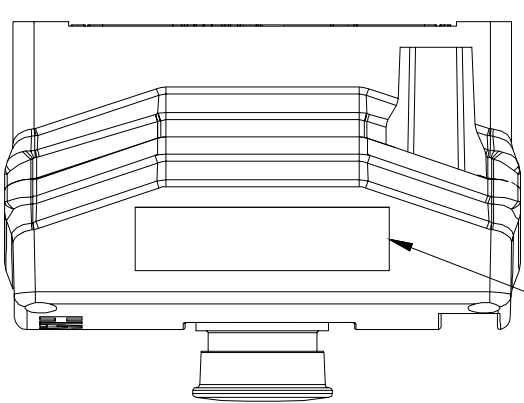
1/2 HP @ 120 VAC, 1 HP @ 208/240/277VAC
 NEMA A600/P600 - PILOT DUTY
 350VAC, 20A - TUNGSTEN
 AC690V 16A AC-12
 AC230V 16A AC-15
 50-60HZ
 DC60V 5A DC-13
 TERMINALS RATED FOR 1-2 CONDUCTORS
 #22-10 AWG. (0.5-4mm²)



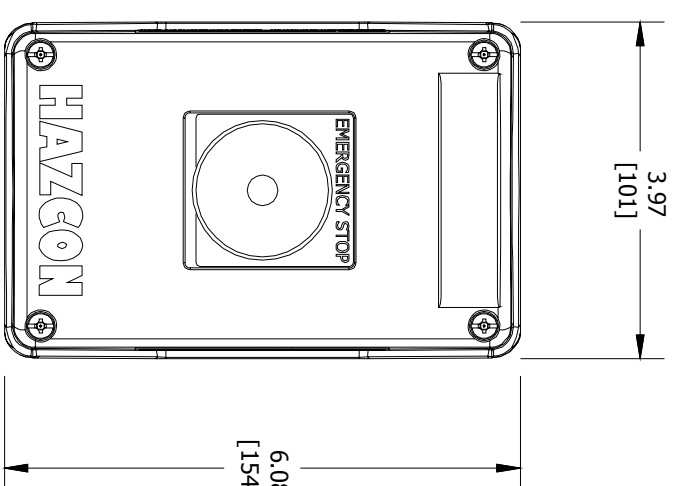
TOP VIEW

CERTIFICATION NAME PLATES

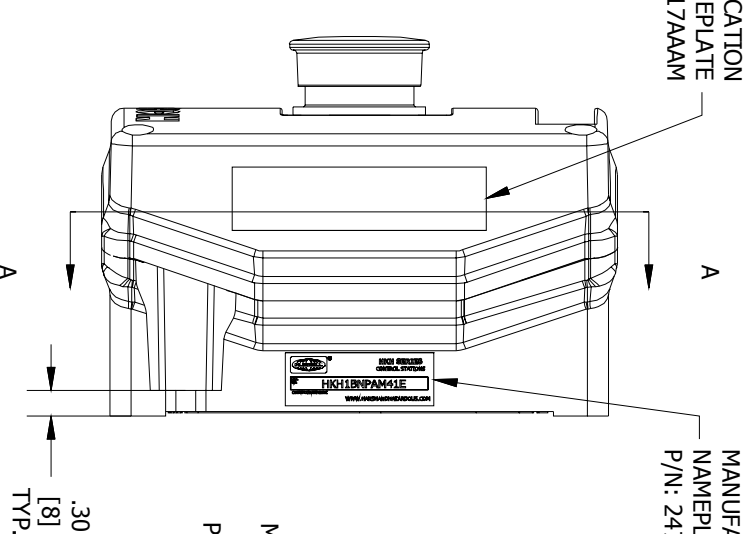
<p>HARSH & HAZARDOUS CAT. NO. HKHMOD Series WWW.HARSHANDHAZARDOUS.COM</p>	<p>INDUSTRIAL CONTROL EQUIPMENT FOR USE IN ZONE CLASSIFIED HAZ. LOCS. CLASS I, ZONE 1, AEx de IIC T6...T4 Gb; Ex de IIC T6...T4 Gb ZONE 21, AEx tb IIC T85°C...T135°C; Db IP66; Ex tb IIC T85°C...T135°C Db IP66 CLASS I, DIV.2, GRPS. A,B,C,D; CLASS II, DIV.1, GRPS. E,F,G (CANADA ONLY) CLASS II, DIV.2, GROUPS E,F,G; CLASS III CLASS III: TYPE 3/4/4X/12/13; -50°C ≤Tas+60°C</p>	<p>ATEX 15 ATEX 1405X Ex de IIC T6...T4 Gb; Ex tb IIC T85°C...T135°C Db IP66 IECEx UL 15.0054X -50°C ≤Tas+60°C (-40°C ≤Tas+55°C WITH AMMETER)</p>	<p>DATE CODE-S/N SEE IOM FORM K1466 FOR ELECTRICAL RATINGS.</p>
---	--	--	--



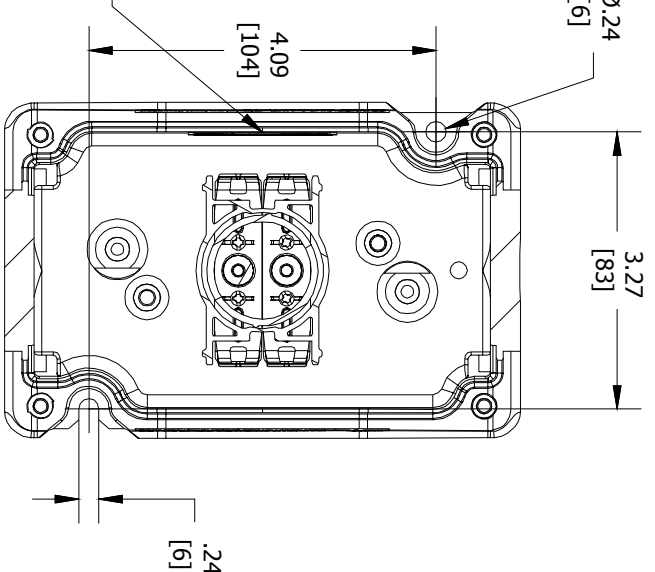
LEFT SIDE VIEW



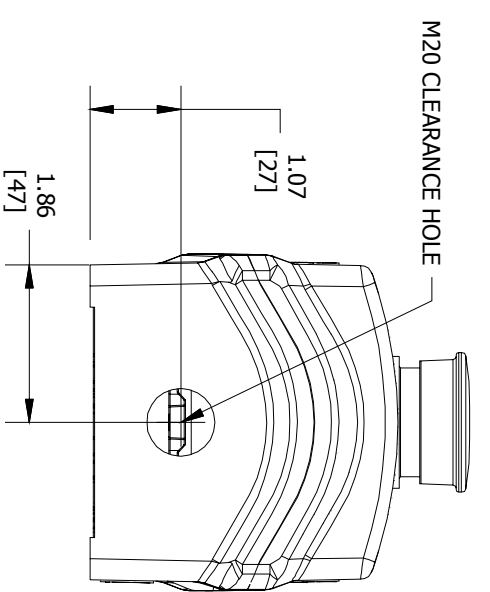
FRONT VIEW



RIGHT SIDE VIEW



SECTION A-A VIEW



BOTTOM VIEW

ENTRY HUB/GLAND SELECTION CHART*	
ENTRY NO.	HUB/GLAND:
ENTRY 1	NONE

*HUBS & CABLE GLANDS ARE SHIPPED WITH ENCLOSURE

COMMENT: ACCEPTANCE: SGN: DATE: CODE 1: APPROVED (NO COMMENTS) CODE 2: APPROVED FOR MANUFACTURING WITH COMMENTS TO BE INCORPORATED CODE 3: NOT APPROVED RE-SUBMIT CODE 4: FOR INFORMATION ONLY

DRAWN BY: DATE: DWG NUMBER: HKH1BNPAM41E TITLE: HKH MODIFIED ENCLOSURE SALES/QUOTE NO.: N/A ITEM: N/A

REVISION	DATE	BY	DESCRIPTION
A	09/16/2016	PR	HKH MODIFIED ENCLOSURE (HKH1BNPAM41E)

4

3

2

1

HKH SERIES CONTROL STATIONS
HKH1BNPAM41E
 COUNT/DATE CODE
 WWW.HARSHANDHAZARDOUS.COM

MFG. NAME PLATE (REF.)