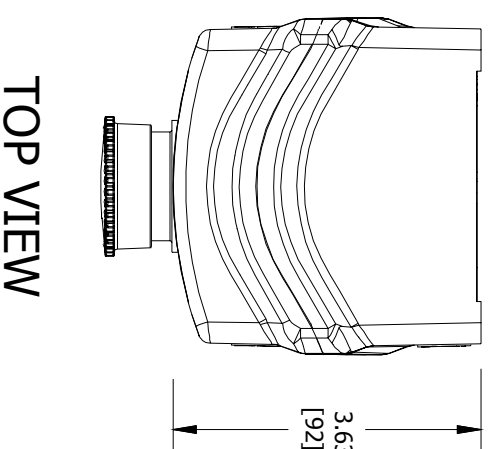


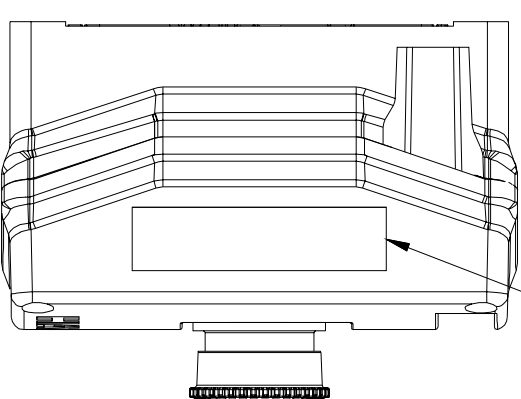
ENCLOSURE INFORMATION	
P/N:	DESCRIPTION:
23197KBAM	BOX PLASTIC 1b, M20 BOTTOM
23194BAAB	COVER PLASTIC 1b, ONE DEVICE
HKH1BMBRKT	HKH PANEL MOUNT BRACKET, C. B. & P. L. (1 PL.)
MOUNT METHOD:	
DEVICE 1 ASSEMBLY (1F)	
P/N:	DESCRIPTION:
HKH1B1TMR	MAINTAINED P. B. TWIST REL, MUSH HD, RED
LGND. PLATE:	EMERGENCY STOP
LOCKOUT ACY:	N/A
CONTACT 1:	CONTACT BLCK, FACT SEALED N.O. PM, 20A
CONTACT 2:	CONTACT BLCK, FACT SEALED N.O. PM, 20A

CONTACT BLOCK RATINGS:
690 VAC, 20A, 50-60
60 VDC, 5A, 110VDC, 1.5A

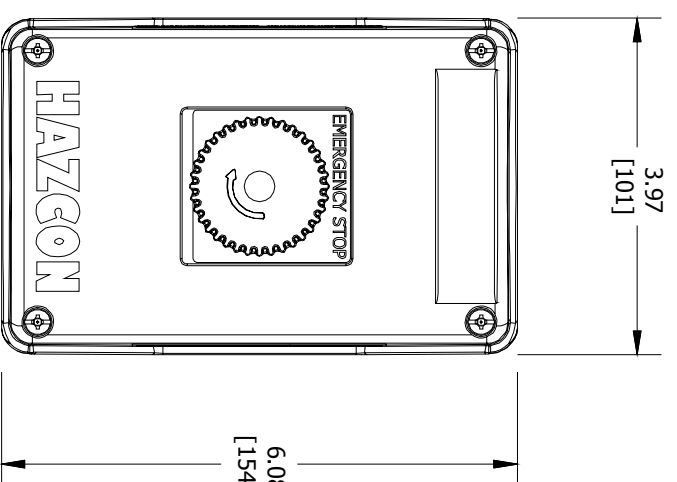
1/2 HP @ 120 VAC, 1 HP @ 208/240/277VAC
NEMA A600/P600 - PILOT DUTY
350VAC, 20A - TUNGSTEN
AC690V 16A AC-12
AC230V 16A AC-15
50-60HZ
DC60V 5A DC-13
TERMINALS RATED FOR 1-2 CONDUCTORS
#22-10 AWG. (0.5-4mm2)



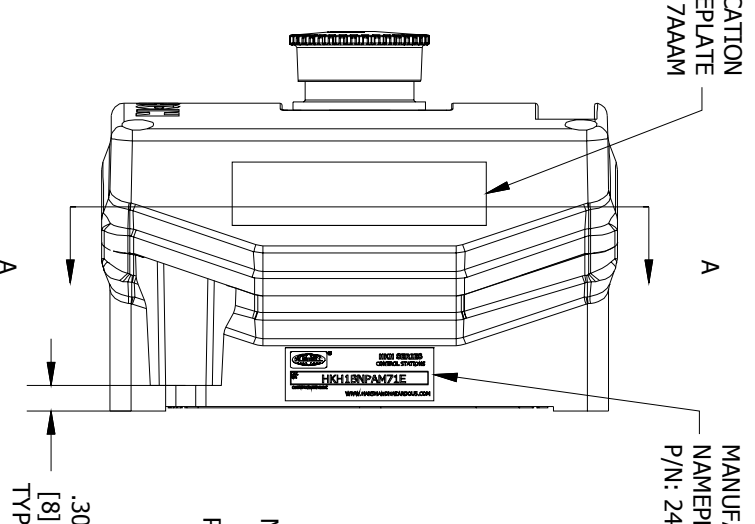
TOP VIEW



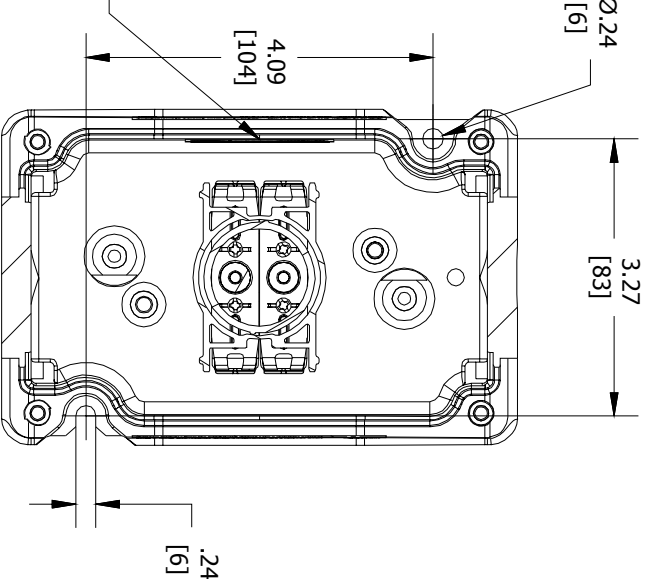
LEFT SIDE VIEW



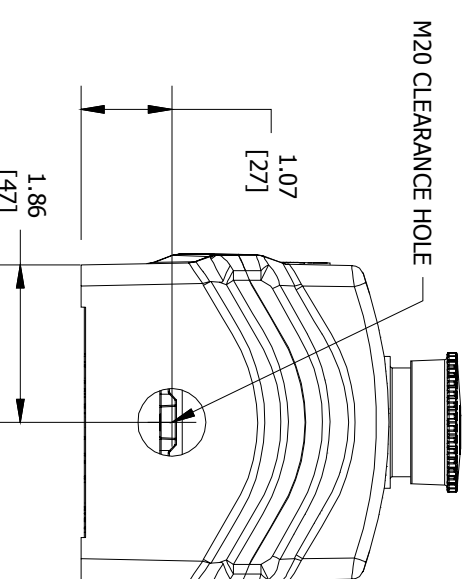
FRONT VIEW



RIGHT SIDE VIEW



SECTION A-A VIEW



BOTTOM VIEW

<p>Harsh & Hazardous www.harsbandhazardous.com</p>	<p>UL CERTIFICATION NAMEPLATE P/N: 24617BAAM</p>	<p>UL CERTIFICATION NAMEPLATE P/N: 24617BAAM</p>	<p>UL CERTIFICATION NAMEPLATE P/N: 24781AAAM</p>
	<p>UL CERTIFICATION NAMEPLATE P/N: 24781AAAM</p>	<p>UL CERTIFICATION NAMEPLATE P/N: 24781AAAM</p>	<p>UL CERTIFICATION NAMEPLATE P/N: 24781AAAM</p>

HKHMOD Series
DATE CODE S/N

ST. LOUIS, MO 63113

SEE IOM FORM K1466 FOR ELECTRICAL RATINGS.

CERTIFICATION NAME PLATES

HKH SERIES
CONTROL STATIONS

CAT. NO. **HKH1BNPAM71E**
COUNT/DATE CODE

www.harsbandhazardous.com

MFG. NAME PLATE (REF.)

COMMENT:	SGN:	DATE:	ACCEPTANCE:	DRAWN BY:	DATE:	DWG NUMBER:	ITEM:
			CODE 1: APPROVED (NO COMMENTS)	PR	09/16/2016	HKH1BNPAM71E	N/A
			CODE 2: APPROVED FOR MANUFACTURING WITH COMMENTS TO BE INCORPORATED				
			CODE 3: NOT APPROVED RE-SUBMIT				
			CODE 4: FOR INFORMATION ONLY				

REVISION



KILLARK

THIS DOCUMENT IS THE PROPERTY OF HUBBELL - KILLARK. IT IS LOANED TO YOU AND MUST NOT BE USED IN ANY WAY DETRIMENTAL TO THE INTEREST HUBBELL - KILLARK.

HKH MODIFIED ENCLOSURE (HKH1BNPAM71E)

SHEET 1 OF 1

A

B

C

D

A

B

C

D

4

3

2

1

4

3

2

1