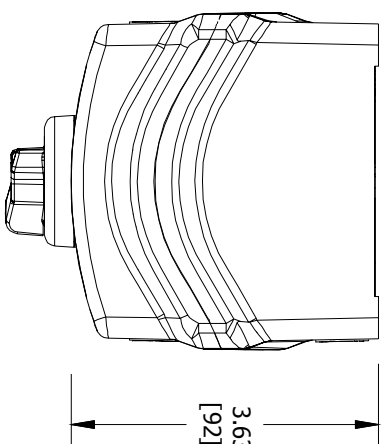


ENCLOSURE INFORMATION	
P/N:	23197KBAM
DESCRIPTION:	BOX PLASTIC 1b, M20 BOTTOM
BOX:	23197KBAM
COVER:	23197BABA
COVER PLASTIC 1b, ONE DEVICE	
MOUNT METHOD:	HKH1BMBRKT
HKH PANEL MOUNT BRACKET, C. B. & P. L. (1 PL.)	
	AC690V 16A AC-12
	AC230V 16A AC-15
	50-60HZ
DEVICE 1 ASSEMBLY (1F)	
P/N:	HKH2P5MTV
DESCRIPTION:	2 POS SEL SWT MAINTAINED CONTACT, VERT
DEVICE:	HKH2P5MTV
LGND. PLATE:	23225ABAB
OFF/ON	
LOCKOUT ACQY:	NONE
N/A	
CONTACT 1:	HKHINO20P
CONTACT BLACK, FACT SEALED N.O. PM, 20A	
CONTACT 2:	HKHINC20P
CONTACT BLACK, FACT SEALED N.C. PM, 20A	

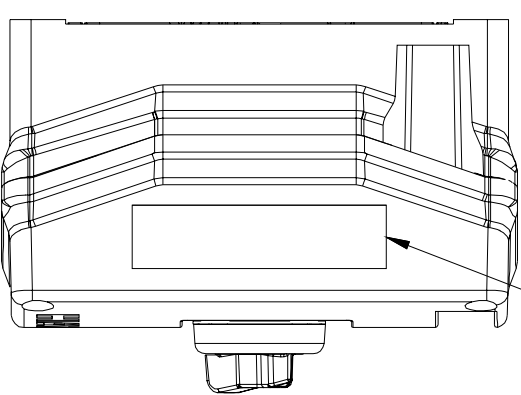
CONTACT BLOCK RATINGS:
690 VAC, 20A, 50-60
60 VDC, 5A, 110VDC, 1.5A

1/2 HP @ 120 VAC, 1 HP @ 208/240/277VAC
NEMA A600/P600 - PILOT DUTY
350VAC, 20A - TUNGSSTEN
AC690V 16A AC-12
AC230V 16A AC-15
50-60HZ

TERMINALS RATED FOR 1-2 CONDUCTORS
#22-10 AWG. (0.5-4mm²)

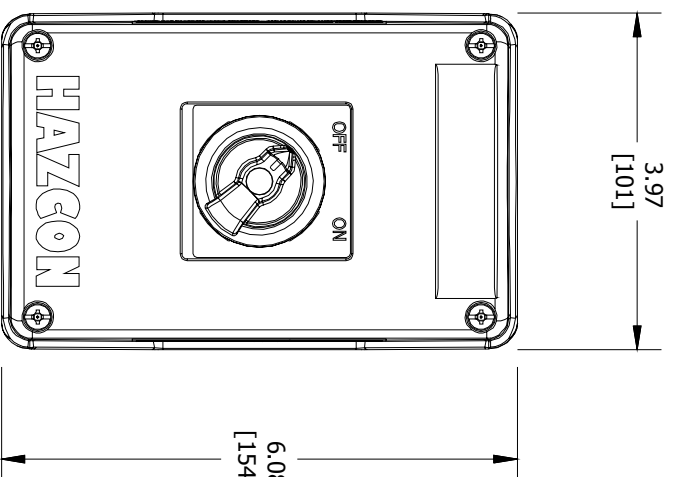


TOP VIEW

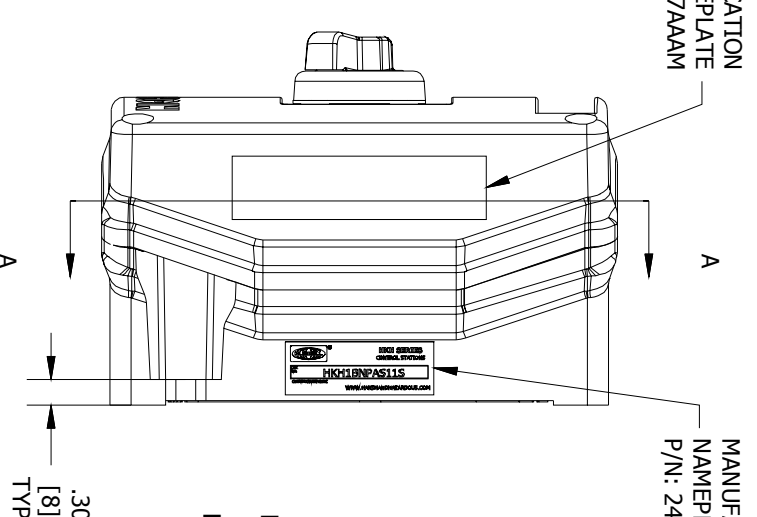


IEC CERTIFICATION
NAMEPLATE
P/N: 24617BAAM

LEFT SIDE VIEW

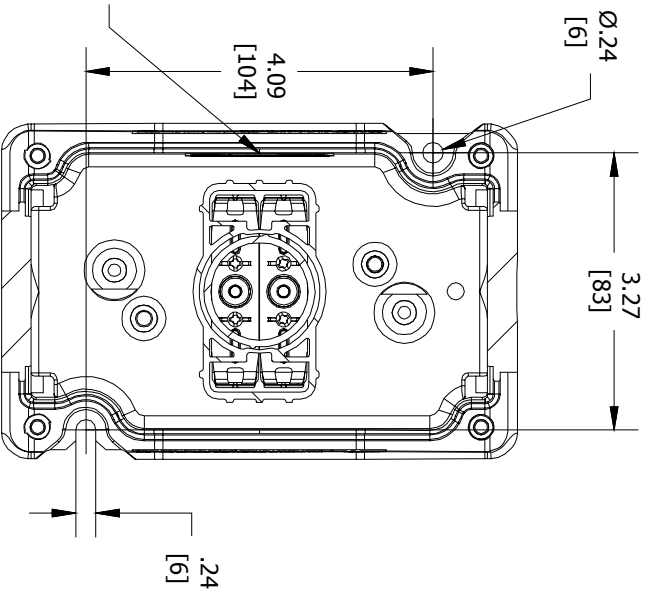


FRONT VIEW

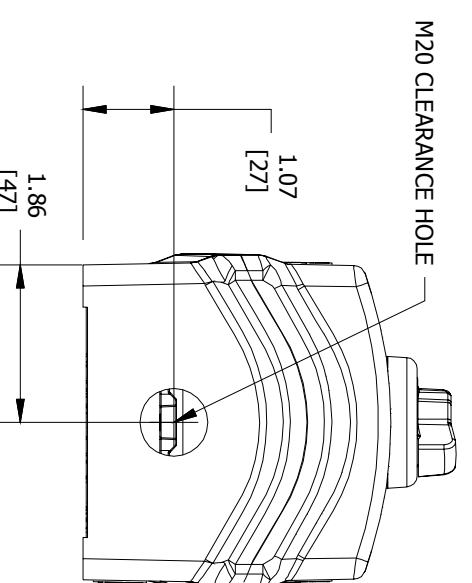


UL CERTIFICATION
NAMEPLATE
P/N: 24617AAMM

RIGHT SIDE VIEW



SECTION A-A VIEW



BOTTOM VIEW

 Harsh & Hazardous www.HARSHANDHAZARDOUS.COM	 CAT. NO. HKHMOD Series DATE CODE: S/N ST. LOUIS, MO 63113
	 INDUSTRIAL CONTROL EQUIPMENT FOR USE IN ZONE CLASSIFIED HAZ. LOCs. CLASS I, ZONE 1, AEx de IIC T6..T4 Gb; Ex de IIC T6..T4 Gb CLASS II, DIV.2, GRP. A,B,C,D; CLASS II, DIV.1, GRP. E,F,G (CANADA ONLY) CLASS III; TYPE 3/4/4X/12/13; -50°C STAs+60°C SEE IOM FORM K1466 FOR ELECTRICAL RATINGS.
 Harsh & Hazardous www.HARSHANDHAZARDOUS.COM	 CAT. NO. HKHMOD Series DATE CODE: S/N ST. LOUIS, MO 63113
 INDUSTRIAL CONTROL EQUIPMENT FOR USE IN ZONE CLASSIFIED HAZ. LOCs. CLASS I, ZONE 1, AEx de IIC T6..T4 Gb; Ex de IIC T6..T4 Gb CLASS II, DIV.2, GRP. A,B,C,D; CLASS II, DIV.1, GRP. E,F,G (CANADA ONLY) CLASS III; TYPE 3/4/4X/12/13; -50°C STAs+60°C SEE IOM FORM K1466 FOR ELECTRICAL RATINGS.	 FOR T-CODES AND FOR ELECTRICAL RATINGS. ST. LOUIS, MO 63113 DATE CODE: S/N ST. LOUIS, MO 63113 EX IEX INVERTRO A243

CERTIFICATION NAME PLATES

COMMENT:	SGN:	DATE:	ACCEPTANCE:	DRAWN BY:	DATE:	DWG NUMBER:	ITEM:
			CODE 1: APPROVED (NO COMMENTS)	PR	09/20/2016	HKH1BNPAS11S	N/A
			CODE 2: APPROVED FOR MANUFACTURING WITH COMMENTS TO BE INCORPORATED				
			CODE 3: NOT APPROVED RE-SUBMIT				
			CODE 4: FOR INFORMATION ONLY				

ENTRY HUB/GLAND SELECTION CHART*	
ENTRY NO.	HUB/GLAND:
ENTRY 1	NONE

*HUBS & CABLE GLANDS ARE SHIPPED WITH ENCLOSURE

HKH SERIES
CONTROL STATIONS
COUNT/DATE CODE
HKH1BNPAS11S
www.HARSHANDHAZARDOUS.COM

MFG. NAME PLATE (REF.)

REVISION	DATE:	TITLE:
A	09/20/2016	HKH MODIFIED ENCLOSURE (HKH1BNPAS11S)

REVISION	DATE:	TITLE:	SHEET	OF	TOTAL SHEETS
A	09/20/2016	HKH MODIFIED ENCLOSURE (HKH1BNPAS11S)	1	1	1