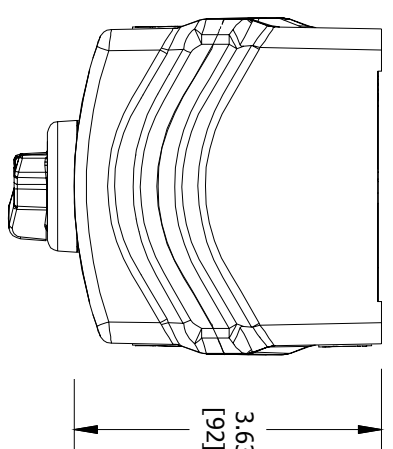


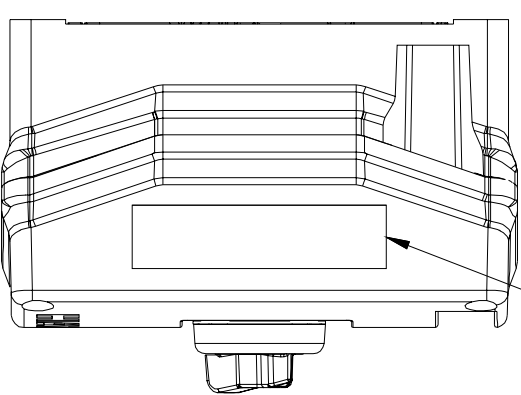
ENCLOSURE INFORMATION	
P/N:	DESCRIPTION:
23197KBAM	BOX PLASTIC 1b, M20 BOTTOM
COVER: 23194BAB	COVER PLASTIC 1b, ONE DEVICE
MOUNT METHOD:	HKH PANEL MOUNT BRACKET, C. B. & P. L. (1 PL.)
	AC690V 16A AC-12
	AC230V 16A AC-15
	50-60HZ
P/N:	DESCRIPTION:
HKH2P5MTV	2 POS SEL SWT MOMENTARY RIGHT, VERT
LGND. PLATE:	Blank
LOCKOUT ACY:	N/A
CONTACT 1:	CONTACT BLCK, FACT SEALED N.O. PM, 20A
CONTACT 2:	CONTACT BLCK, FACT SEALED N.C. PM, 20A

CONTACT BLOCK RATINGS:  
690 VAC, 20A, 50-60  
60 VDC, 5A, 110VDC, 1.5A

1/2 HP @ 120 VAC, 1 HP @ 208/240/277VAC  
NEMA A600/P600 - PILOT DUTY  
350VAC, 20A - TUNGSTEN  
AC690V 16A AC-12  
AC230V 16A AC-15  
50-60HZ  
DC60V 5A DC-13  
TERMINALS RATED FOR 1-2 CONDUCTORS  
#22-10 AWG. (0.5-4mm2)

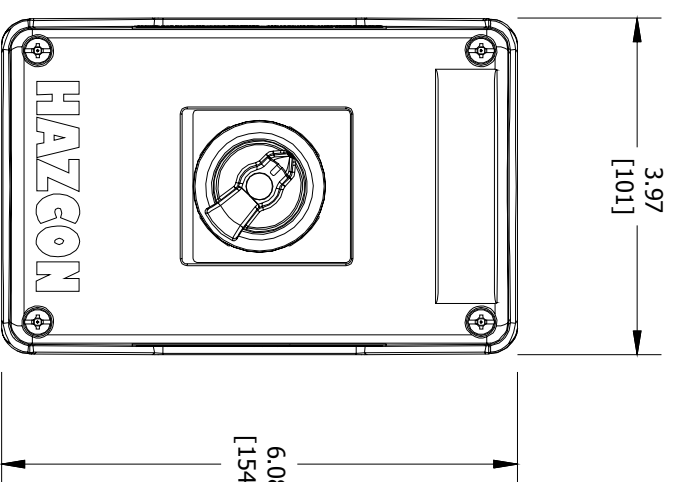


TOP VIEW

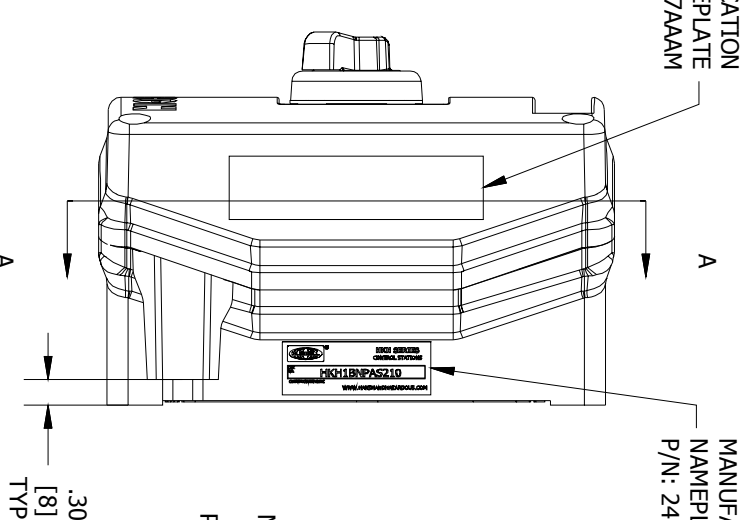


IEC CERTIFICATION  
NAMEPLATE  
P/N: 24617BAAM

LEFT SIDE VIEW

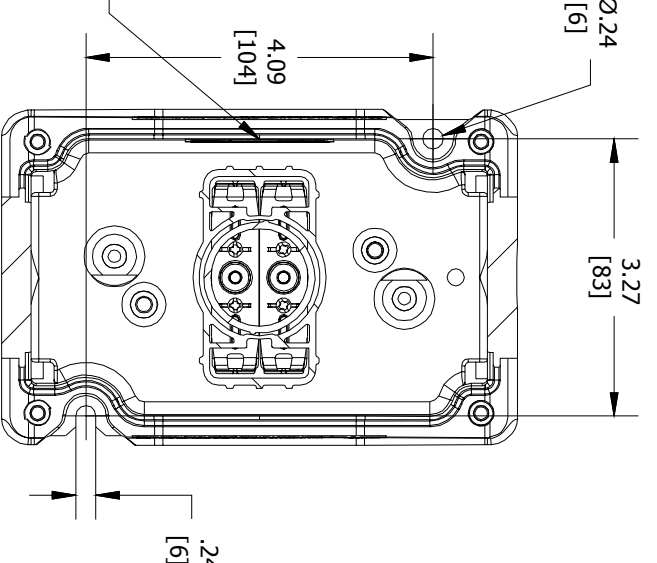


FRONT VIEW

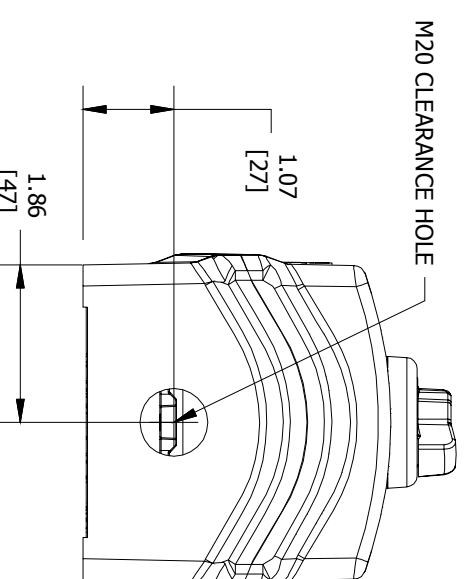


UL CERTIFICATION  
NAMEPLATE  
P/N: 24617AAAM

RIGHT SIDE VIEW



SECTION A-A VIEW



BOTTOM VIEW

<b>CAT. NO.</b>	<b>CAT. NO.</b>	<b>DATE CODE-S/N</b>	<b>DATE CODE-S/N</b>
<b>HKHMOD Series</b>	<b>HKHMOD Series</b>		
WWW.HARSHANDHAZARDOUS.COM	WWW.HARSHANDHAZARDOUS.COM		
INDUSTRIAL CONTROL EQUIPMENT FOR USE IN ZONE CLASSIFIED HAZ. LOCS.	INDUSTRIAL CONTROL EQUIPMENT FOR USE IN ZONE CLASSIFIED HAZ. LOCS.		
CLASS I, ZONE 1, AEx de IIC T6...T4 Gb; Ex de IIC T6...T4 Gb	CLASS I, ZONE 1, AEx de IIC T6...T4 Gb; Ex de IIC T6...T4 Gb		
CLASS II, DIV. 2, GRP5, A,B,C,D; CLASS II, DIV. 1, GRP5, E,F,G (CANADA ONLY)	CLASS II, DIV. 2, GRP5, A,B,C,D; CLASS II, DIV. 1, GRP5, E,F,G (CANADA ONLY)		
CLASS III; TYPE 3/4/4X/12/13; -50°C ≤T <sub>amb</sub> ≤+60°C	CLASS III; TYPE 3/4/4X/12/13; -50°C ≤T <sub>amb</sub> ≤+60°C		
SEE IOM FORM K1466 FOR ELECTRICAL RATINGS.	SEE IOM FORM K1466 FOR ELECTRICAL RATINGS.		

CERTIFICATION NAME PLATES

**HKH SERIES**  
CONTROL STATIONS

CONTROL NO. **HKH1BNPAS210**

COUNTY/DATE CODE

WWW.HARSHANDHAZARDOUS.COM

MFG. NAME PLATE (REF.)

COMMENT:

SGN:

DATE:

ACCEPTANCE:

DRAWN BY:

DATE:

DWG NUMBER:

ENTRY NO. HUB/GLAND:

ENTRY 1 NONE

CODE 1: APPROVED (NO COMMENTS)

CODE 2: APPROVED FOR MANUFACTURING

WITH COMMENTS TO BE INCORPORATED

CODE 3: NOT APPROVED RE-SUBMIT

CODE 4: FOR INFORMATION ONLY

TITLE:

HKH MODIFIED ENCLOSURE

SALES/QUOTE NO.:

N/A

ITEM:

N/A

REVISION



**KILLARK**

THIS DOCUMENT IS THE PROPERTY OF HUBBELL - KILLARK. IT IS LOANED TO YOU AND MUST NOT BE USED IN ANY WAY DETRIMENTAL TO THE INTEREST HUBBELL - KILLARK.

REVISION

3

2

1

SHEET 1 OF 1

1

A