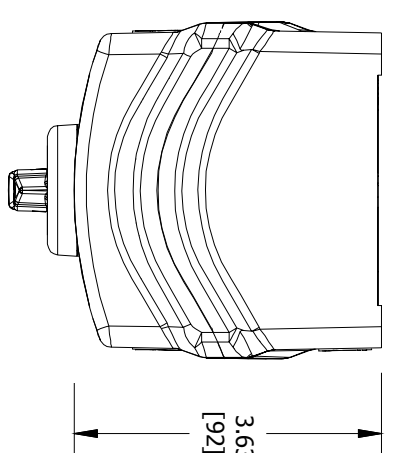


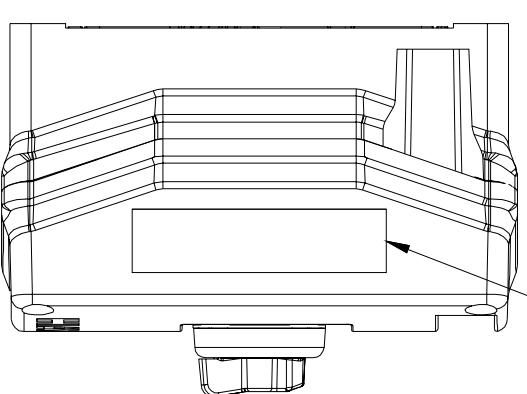
ENCLOSURE INFORMATION	
P/N:	DESCRIPTION:
23197KBAM	BOX PLASTIC 1b, M20 BOTTOM
23194BAB	COVER PLASTIC 1b, ONE DEVICE
HKHPMBRKT	HKH PANEL MOUNT BRACKET, C. B. & P. L. (1 PL.)
MOUNT METHOD:	
DEVICE 1 ASSEMBLY (1P)	
P/N:	DESCRIPTION:
HKH2P5MTV	3 POS SEL SWT MAINT CONT IND CAM, VERT
LGND. PLATE:	HAND/OFF/AUTO
LOCKOUT ACQY:	N/A
CONTACT 1:	CONTACT BLCK, FACT SEALED N.O. PM, 20A
CONTACT 2:	CONTACT BLCK, FACT SEALED N.O. PM, 20A

CONTACT BLOCK RATINGS:
690 VAC, 20A, 50-60
60 VDC, 5A, 110VDC, 1.5A

1/2 HP @ 120 VAC, 1 HP @ 208/240/277VAC
NEMA A600/P600 - PILOT DUTY
350VAC, 20A - TUNGSSTEN
AC690V 16A AC-12
AC230V 16A AC-15
50-60HZ
DC60V 5A DC-13
TERMINALS RATED FOR 1-2 CONDUCTORS
#22-10 AWG. (0.5-4mm²)

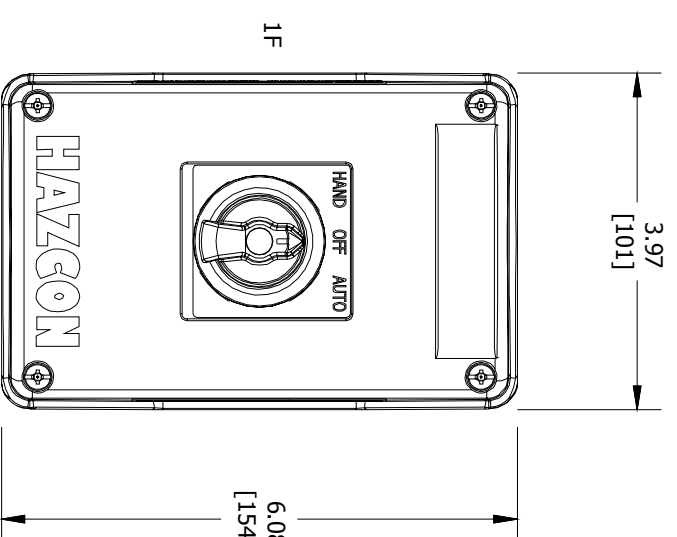


TOP VIEW

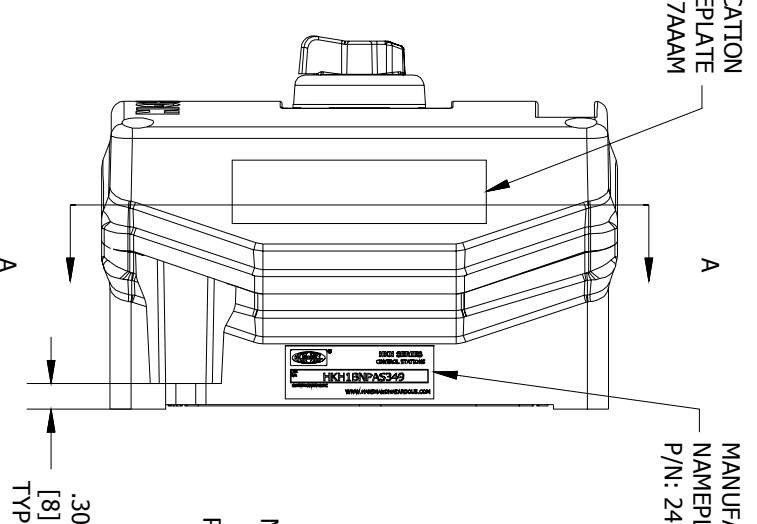


IEC CERTIFICATION
NAMEPLATE
P/N: 24617BAAM

LEFT SIDE VIEW

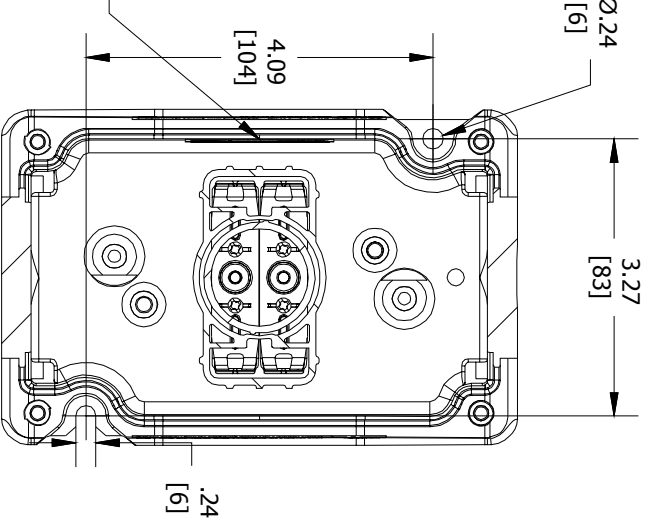


FRONT VIEW

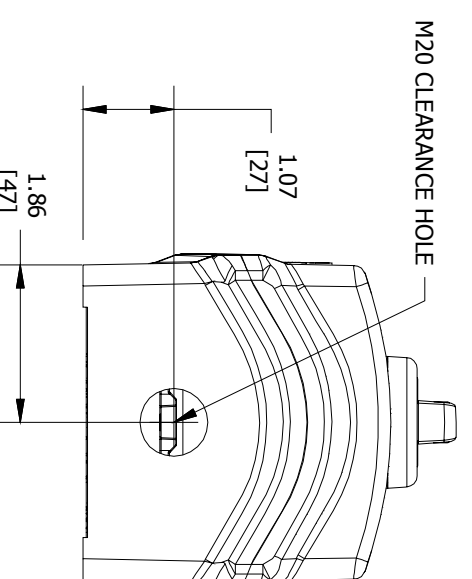


UL CERTIFICATION
NAMEPLATE
P/N: 24617AAMM

RIGHT SIDE VIEW



SECTION A-A VIEW



BOTTOM VIEW

		CAT. HKHMOD Series DATE CODE-S/N	
Harsh & Hazardous WWW.HARSHANDHAZARDOUS.COM		ST. LOUIS, MO 63113 SEE IOM FORM K1466 & K1470 FOR T-CODES AND FOR ELECTRICAL RATINGS.	
CAT. NO. HKHMOD Series WWW.HARSHANDHAZARDOUS.COM		DATE CODE-S/N	
INDUSTRIAL CONTROL EQUIPMENT FOR USE IN ZONE CLASSIFIED HAZ. LOCS. CLASS I, ZONE 1, AEX de IIC T6...T4 Gp; Ex de IIC T6...T4 Gp CLASS I, ZONE 1, AEX de IIC T6...T4 Gp; Ex de IIC T6...T4 Gp ZONE 21, AEx tb IIIC T85°C...T135°C Db IP66; Ex tb IIIC T85°C...T135°C Db IP66 CLASS I, DIV.2, GRP5, AB,C,D; CLASS II, DIV.1, GRP5, E,F,G (CANADA ONLY) CLASS II, DIV.2, GROUPS E,F,G; CLASS III CLASS III: TYPE 3/4/4X/12/13, -50°C ≤T _{as} +60°C SEE IOM FORM K1466 FOR ELECTRICAL RATINGS.			
IECEx 15 ATEX 1405X Ex de IIC T6...T4 Gp; Ex tb IIIC T85°C...T135°C Db IP66 IECEx UL 15,0054X -50°C ≤T _{as} +60°C (-40°C ≤T _{as} +55°C WITH AMMETER)		TR RU C-US.MIO62.B.04167 IEX 16.0079 INMETERO	

CERTIFICATION NAME PLATES

COMMENT:

SGN:

DATE:

ACCEPTANCE:

DRAWN BY:

DATE:

CODE 1: APPROVED (NO COMMENTS)

CODE 2: APPROVED FOR MANUFACTURING

WITH COMMENTS TO BE INCORPORATED

CODE 3: NOT APPROVED RE-SUBMIT

CODE 4: FOR INFORMATION ONLY

DWG NUMBER:
HKH1BNPAS349

SALES/QUOTE NO.:

ITEM:
N/A

ENTRY HUB/GLAND SELECTION CHART*

ENTRY NO.	HUB/GLAND:
ENTRY 1	NONE

*HUBS & CABLE GLANDS ARE SHIPPED WITH ENCLOSURE

HKH SERIES
CONTROL STATIONS

CONTROL NO. **HKH1BNPAS349**

COUNTY/DATE CODE

WWW.HARSHANDHAZARDOUS.COM

MFG. NAME PLATE (REF.)

REVISION



KILLARK

THIS DOCUMENT IS THE PROPERTY OF HUBBELL - KILLARK. IT IS LOANED TO YOU AND MUST NOT BE USED IN ANY WAY DETRIMENTAL TO THE INTEREST HUBBELL - KILLARK.

HKH MODIFIED ENCLOSURE
(HKH1BNPAS349)

SHEET 1 OF 1

4

3

2

1

A

B

C

D

4

3

2

1

A

B

C

D