

4

3

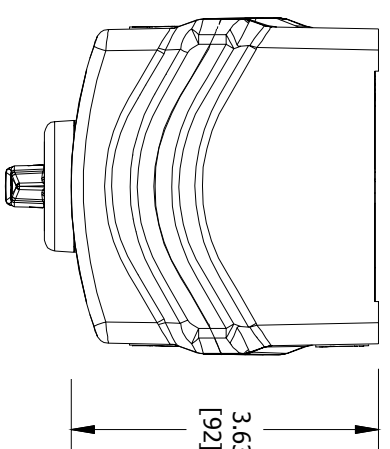
2

1

ENCLOSURE INFORMATION	
P/N:	DESCRIPTION:
23197KBAM	BOX PLASTIC 1b, M20 BOTTOM
23194BAAB	COVER PLASTIC 1b, ONE DEVICE
HKH1BMPBKT	HKH PANEL MOUNT BRACKET, C. B. & P. L. (1 PL.)
MOUNT METHOD:	
DEVICE 1 ASSEMBLY (1F)	
P/N:	DESCRIPTION:
HKH2P5MTV	3 POS SEL SWT MOM L/R/T, MAINT CTR, VERT
LGND. PLATE:	Blank
LOCKOUT ACQY:	N/A
CONTACT 1:	CONTACT BLCK, FACT SEALED N.O. PM, 20A
CONTACT 2:	CONTACT BLCK, FACT SEALED N.O. PM, 20A

CONTACT BLOCK RATINGS:
690 VAC, 20A, 50-60
60 VDC, 5A, 110VDC, 1.5A

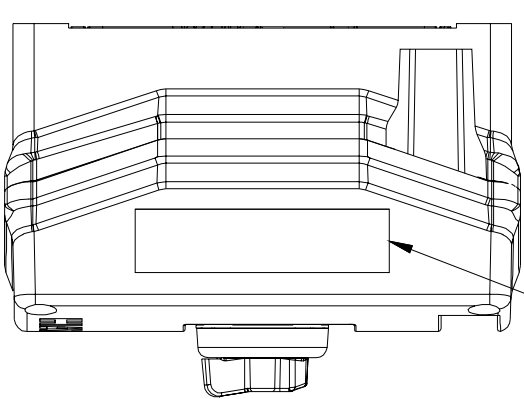
1/2 HP @ 120 VAC, 1 HP @ 208/240/277VAC
NEMA A600/P600 - PILOT DUTY
350VAC, 20A - TUNGSTEN
AC690V 16A AC-12
AC230V 16A AC-15
50-60HZ
DC60V 5A DC-13
TERMINALS RATED FOR 1-2 CONDUCTORS
#22-10 AWG. (0.5-4mm²)



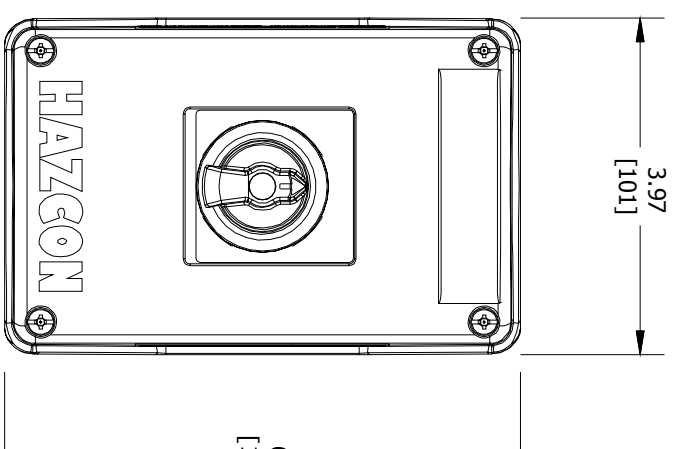
TOP VIEW

CERTIFICATION NAME PLATES

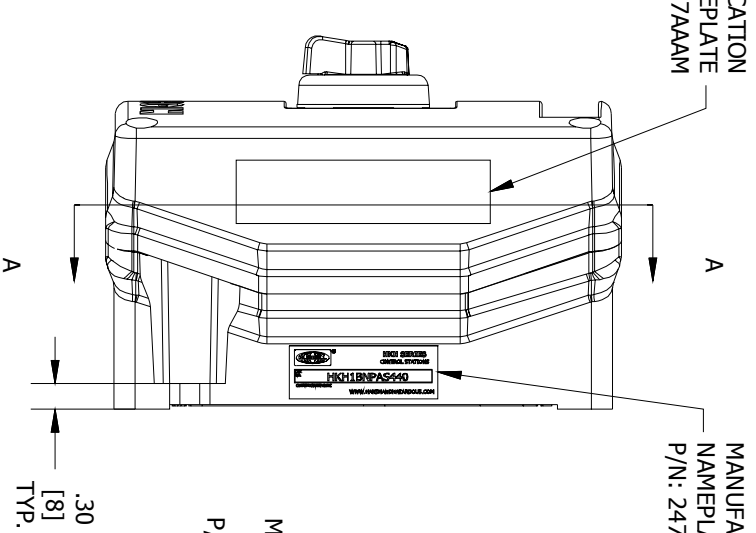
 Harsh & Hazardous www.harsbandhzardous.com	CAT. NO. HKHMOD Series DATE CODE-S/N	 LISTED A243
	DATE CODE-S/N ST. LOUIS, MO 63113	
INDUSTRIAL CONTROL EQUIPMENT FOR USE IN ZONE CLASSIFIED HAZ. LOCS. CLASS I, ZONE 1, AEx de IIC T6...T4 Gb; Ex de IIC T6...T4 Gb CLASS II, DIV. 2, GRP5, A,B,C,D; CLASS II, DIV. 1, GRP5, E,F,G (CANADA ONLY) CLASS III; TYPE 3/4/4X/12/13; -50°C ≤T _a ≤+60°C		
DEMKO 15 ATEX 1405X Ex de IIC T6...T4 Gb; Ex tb IIC T85°C...T135°C Db IP66 IECEx UL 15.0054X -50°C ≤T _a ≤+60°C (-40°C ≤T _a ≤+55°C WITH AMMETER)		
TR RU C-US-M1062.B.04167 IEX 16.0079 INMETRO		
SEE IOM FORM K1466 FOR ELECTRICAL RATINGS.		



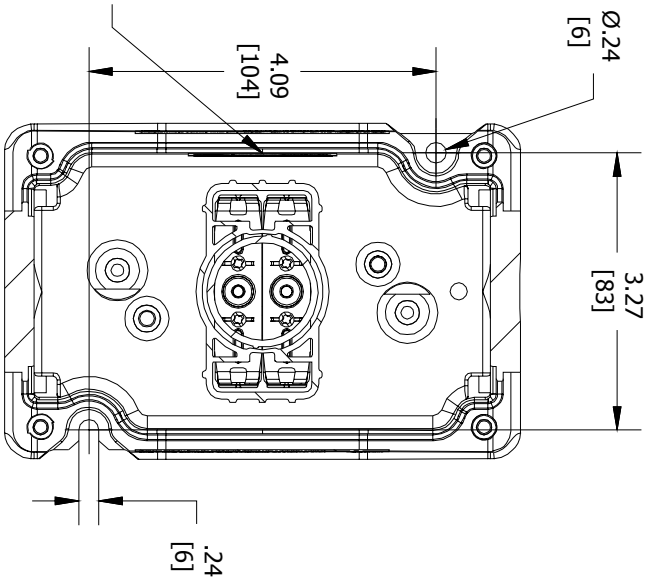
LEFT SIDE VIEW



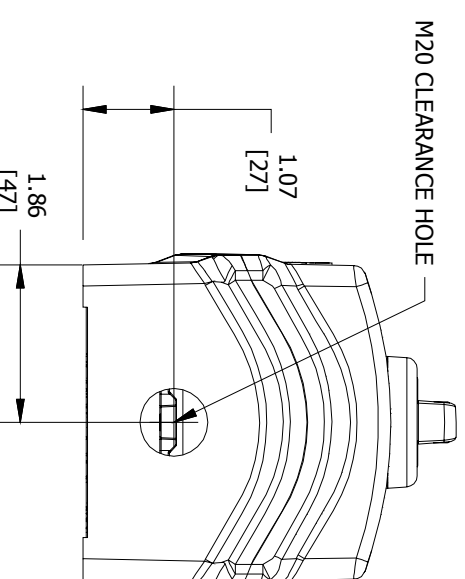
FRONT VIEW



RIGHT SIDE VIEW



SECTION A-A VIEW



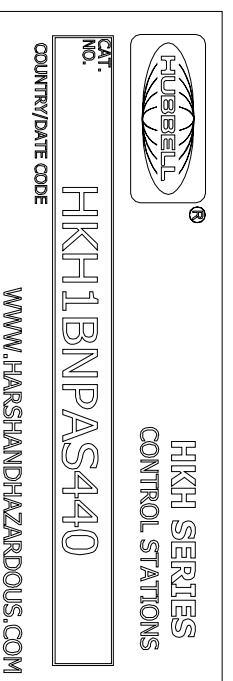
BOTTOM VIEW

COMMENT:	SGN:	DATE:	ACCEPTANCE:
CODE 1: APPROVED (NO COMMENTS)			
CODE 2: APPROVED FOR MANUFACTURING WITH COMMENTS TO BE INCORPORATED			
CODE 3: NOT APPROVED RE-SUBMIT			
CODE 4: FOR INFORMATION ONLY			

DRAWN BY:	DATE:	DWG NUMBER:	ITEM:
PR	09/21/2016	HKH1BNPAS440	N/A
TITLE:		SALES/QUOTE NO.:	
HKH MODIFIED ENCLOSURE (HKH1BNPAS440)			

ENTRY HUB/GLAND SELECTION CHART*	
ENTRY NO.	HUB/GLAND:
ENTRY 1	NONE

*HUBS & CABLE GLANDS ARE SHIPPED WITH ENCLOSURE



MFG. NAME PLATE (REF.)

REVISION

KILLARK

HKH MODIFIED ENCLOSURE (HKH1BNPAS440)

SHEET 1 OF 1

A

B

C

D

4

3

2

1

A

B

C

D