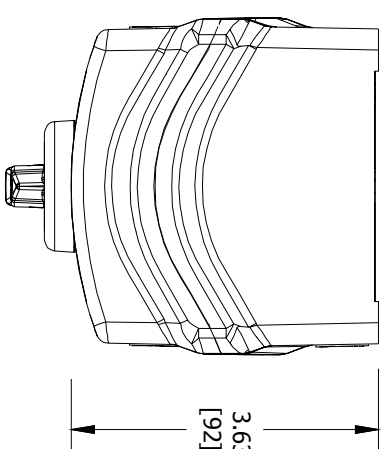


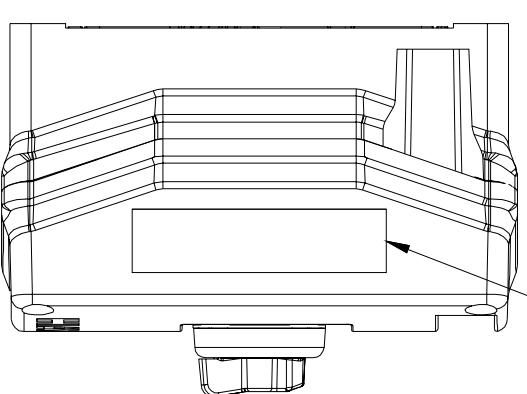
ENCLOSURE INFORMATION	
P/N:	DESCRIPTION:
23197KBAM	BOX PLASTIC 1b, M20 BOTTOM
23194BAAB	COVER PLASTIC 1b, ONE DEVICE
HKH1BMBRKT	HKH PANEL MOUNT BRACKET, C. B. & P. L. (1 PL.)
MOUNT METHOD:	
350VAC, 20A - TUNGSSTEN	
AC690V, 16A AC-12	
AC230V 16A AC-15	
50-60HZ	
P/N:	DESCRIPTION:
HKH2P5MTV	3 POS SEL SWT MAINT LT/CTR, MOM RT, VERT
23225AAAB	Blank
LOCKOUT ACY:	
N/A	
CONTACT 1:	CONTACT BLCK, FACT SEALED N.O. PM, 20A
CONTACT 2:	CONTACT BLCK, FACT SEALED N.O. PM, 20A

CONTACT BLOCK RATINGS:
690 VAC, 20A, 50-60
60 VDC, 5A, 110VDC, 1.5A

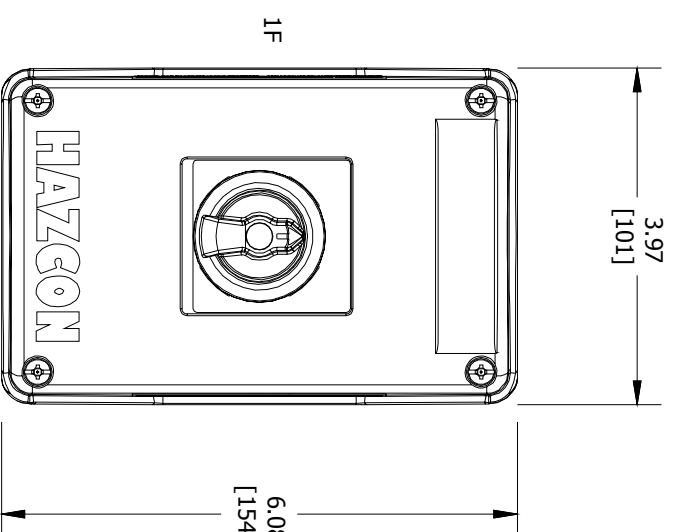
1/2 HP @ 120 VAC, 1 HP @ 208/240/277VAC
NEMA A600/P600 - PILOT DUTY
350VAC, 20A - TUNGSSTEN
AC690V, 16A AC-12
AC230V 16A AC-15
50-60HZ
DC60V 5A DC-13
TERMINALS RATED FOR 1-2 CONDUCTORS
#22-10 AWG. (0.5-4mm²)



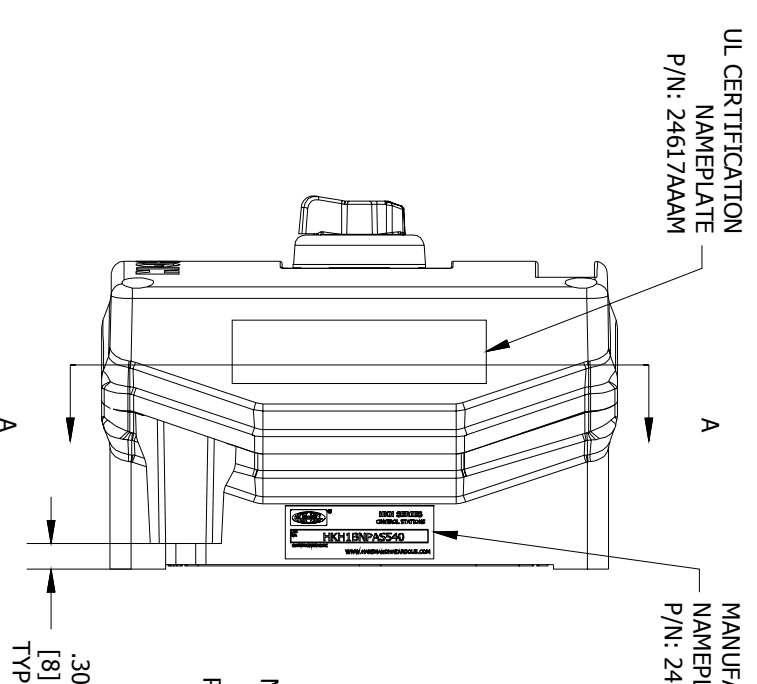
TOP VIEW



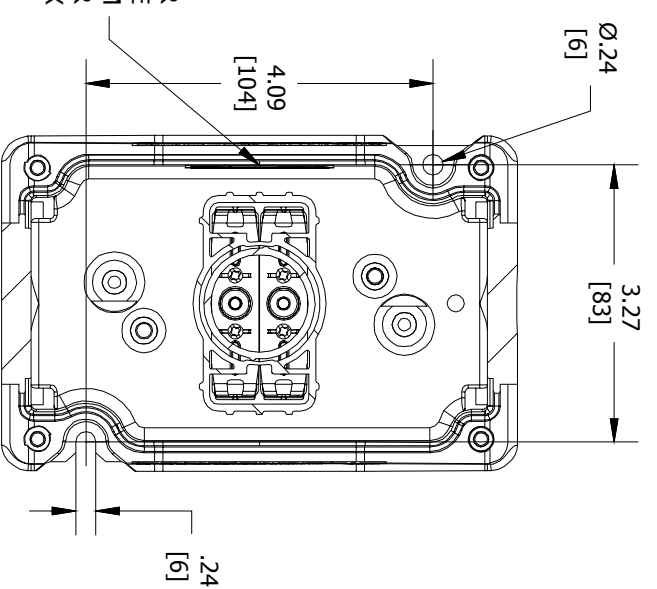
LEFT SIDE VIEW



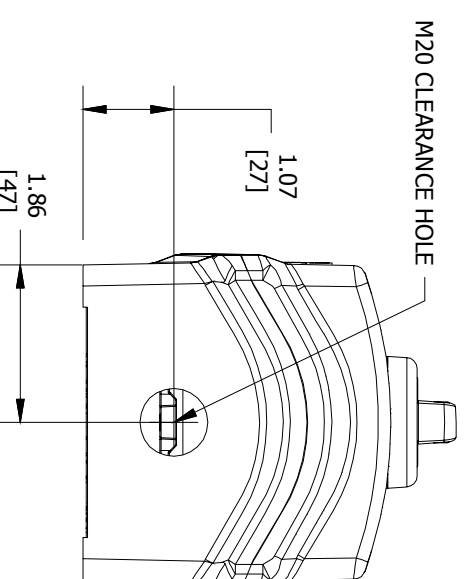
FRONT VIEW



RIGHT SIDE VIEW



SECTION A-A VIEW



BOTTOM VIEW

	CAT. NO.	HKHMOD Series	DATE CODE/S/N
Harsh & Hazardous	WWW.HARSHANDHAZARDOUS.COM		ST. LOUIS, MO 63113
	INDUSTRIAL CONTROL EQUIPMENT FOR USE IN ZONE CLASSIFIED HAZ. 1, OCCS.	SEE IOM FROM K1466 & K1470	FOR T-CODES AND FOR ELECTRICAL RATINGS.
	CLASS I, ZONE 1, AEx de IIC T6...T4 Gb; Ex de IIC T6...T4 Gb		
	CLASS II, DIV.2, GRPS. A,B,C,D; CLASS II, DIV.1, GRPS. E,F,G (CANADA ONLY)		
	CLASS III; TYPE 3/4/4X/12/13; -50°C ≤Tas≤+60°C		
	IP66		
	TR RU C-US; MIO62.B.04167		
	IEC 16,00/9 INMETRO		

CERTIFICATION NAME PLATES

SEE IOM FROM K1466 FOR ELECTRICAL RATINGS.

	HKH SERIES
CONTROL STATIONS	
HKH1BNPASS40	
WWW.HARSHANDHAZARDOUS.COM	

MFG. NAME PLATE (REF.)

COMMENT:

SGN:

DATE:

ACCEPTANCE:

DRAWN BY:

DATE:

DWG NUMBER:

CODE 1: APPROVED (NO COMMENTS)

CODE 2: APPROVED FOR MANUFACTURING

WITH COMMENTS TO BE INCORPORATED

CODE 3: NOT APPROVED RE-SUBMIT

CODE 4: FOR INFORMATION ONLY

TITLE:

SALES/QUOTE NO.:

ITEM:

REVISION

KILLARK

THIS DOCUMENT IS THE PROPERTY OF HUBBELL - KILLARK. IT IS LOANED TO YOU AND MUST NOT BE USED IN ANY WAY DETRIMENTAL TO THE INTEREST HUBBELL - KILLARK.

HKH MODIFIED ENCLOSURE (HKH1BNPASS40)

SHEET 1 OF 1

