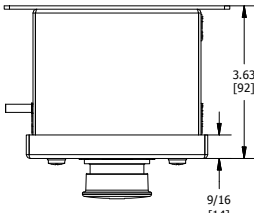


| ENCLOSURE INFORMATION  |           |   |
|------------------------|-----------|---|
| P/N:                   | 23831CBAM | DESCRIPTION: BOX SST IF 1b, 3/4 NPT BOTTOM          |
| COVER:                 | 23804ABAB | COVER SST IF 1b, ONE DEVICE                         |
| MOUNT METHOD:          | 23203BAAB | ASSY, DIN RAIL HKH 2 TIER                           |
| DEVICE 1 ASSEMBLY (1F) |           |   |
| P/N:                   | HKHPBMMMR | DESCRIPTION: MOMENTARY PUSHBUTTON, MUSHROOM HD, RED |
| LGND. PLATE:           | 23225CAAB | STOP  |
| LOCKOUT ACCY:          | NONE      | N/A   |
| CONTACT 1:             | HKH1NO20D | CONTACT BLK, FACT SEALED N.O. DRM, 20A              |
| CONTACT 2:             | HKH1NC20D | CONTACT BLK, FACT SEALED N.C. DRM, 20A              |

CONTACT BLOCK RATINGS:  
 690 VAC, 20A, 50-60  
 60 VDC, 5A, 110VDC, 1.5A

1/2 HP @ 120 VAC, 1 HP @ 208/240/277VAC  
 NEMA A600/P600 - PILOT DUTY  
 350VAC, 20A - TUNGSTEN  
 AC690V 16A AC-12  
 AC230V 16A AC-15  
 50-60HZ  
 DC60V 5A DC-13  
 TERMINALS RATED FOR 1-2 CONDUCTORS  
 #22-10 AWG. (0.5-4mm<sup>2</sup>)



TOP VIEW

**CAT. NO. HKHMOD Series**  
 Harsh & Hazardous  
 INDUSTRIAL CONTROL EQUIPMENT FOR USE IN ZONE CLASSIFIED HAZ. LOCS.  
 CLASS I, ZONE 1, AEx de IIC T6...T4 Gb; Ex de IIC T6...T4 Gb X  
 ZONE 21, AEx tb IIC T6...T4 Db IP66; Ex tb IIC T6...T4 Db IP66 X  
 CLASS I, DIV.2, GRPS. A,B,C,D; CLASS II, DIV.1, GRPS. E,F,G (CANADA ONLY)  
 CLASS II, DIV.2, GROUPS E,F,G; CLASS III, DIV.1 (CANADA ONLY)  
 CLASS III, TYPE 3/4/4X/12/13; -50°C ≤Tas+60°C

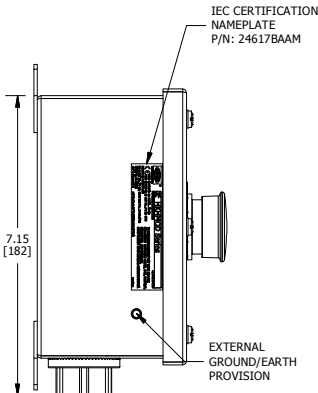
ST. LOUIS, MO 63133  
 UL LISTED A243 24617AAAM

**CAT. NO. HKHMOD Series**  
 Harsh & Hazardous  
 0539 Ø II2G Ex de IIC T6...T4 Gb  
 0539 Ø II2D Ex tb IIC T6...T4 Db IP66  
 DEMKO 15 ATEX 1405X  
 Ex de IIC T6...T4 Gb; Ex tb IIC T6...T4 Db IP66  
 IECEx UL 15.0054X  
 -50°C ≤Tas+60°C (WITH AMMETER)

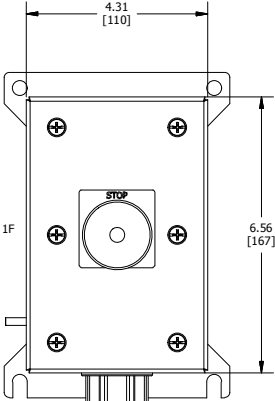
ST. LOUIS, MO 63133  
 24617AAAM

TO MAINTAIN RATINGS USE WITH KILLARK  
 HIGH SERIES MATCHING COVER, BOX, CONTROL  
 OPERATORS, AND INTERNAL  
 COMPONENTS WITH SIMILAR CERTIFICATIONS.

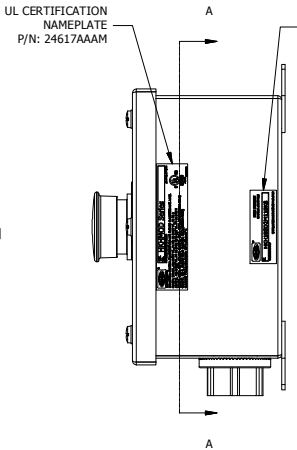
CERTIFICATION NAME PLATES



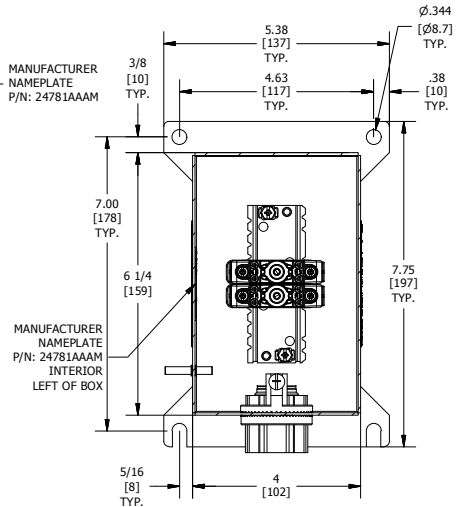
LEFT SIDE VIEW



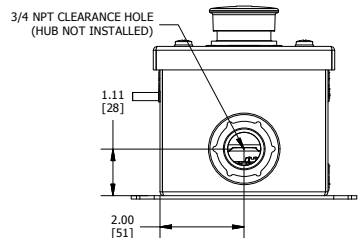
FRONT VIEW



RIGHT SIDE VIEW



SECTION A-A VIEW



BOTTOM VIEW

ENTRY HUB/GLAND SELECTION CHART\*

|           |             |
|-----------|-------------|
| ENTRY NO. | HUB/GLAND:  |
| ENTRY 1   | K8: WH-2SSG |

\*HUBS & CABLE GLANDS ARE SHIPPED WITH ENCLOSURE (NOT INSTALLED)

**HKH SERIES CONTROL STATIONS**  
 CAT. NO. **HKH1BSD2M11BK8**  
 COUNTRY/DATE CODE  
 WWW.HARSHANDHAZARDOUS.COM

MFG. NAME PLATE (REF.)

THIS IS A COMPUTER GENERATED DRAWING. DO NOT ALTER. CHANGES ALLOWED ONLY TO COMPUTER MODEL.

DO NOT SCALE THIS DRAWING

|   |   |   |
|---|---|---|
| G | N | U |
| F | M | T |
| E | L | S |
| D | K | R |
| C | J | Q |
| B | I | P |
| A | H | O |

LET CHG. NOT. NO. LET CHG. NOT. NO. LET CHG. NOT. NO.

P/N: HKH1BSD2M11BK8

**KILLARK**

DESCRIPTION:  
 HKH COMPLETE CONTROL STATION ENCLOSURE (HKH1BSD2M11BK8)

|                        |                |
|------------------------|----------------|
| DR. BY: PR 05-24-2016  | REL PROD:      |
| CK. BY: KRA 05-24-2016 | REL TOOL:      |
| SCALE: N/A             | REL DES:       |
| MATERIAL: N/A          | HKH1BSD2M11BK8 |
| PROJECT NO:            | SHEET 1 OF 1   |

THIS DOCUMENT IS THE PROPERTY OF KILLARK. IT IS LOANED TO YOU AND MUST NOT BE USED IN ANY MANNER DETRIMENTAL TO THE INTEREST OF KILLARK.

A

A