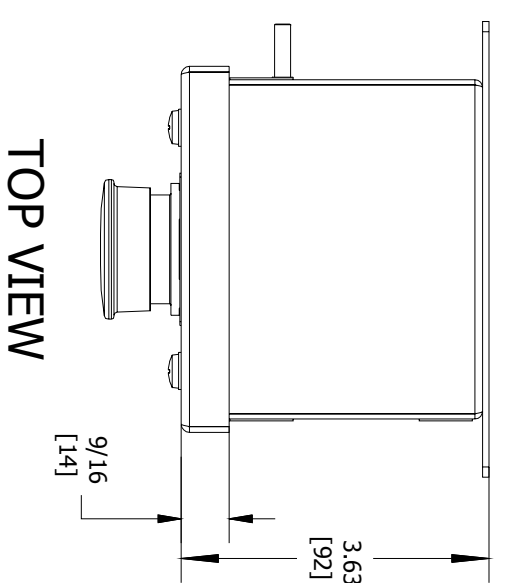


ENCLOSURE INFORMATION	
P/N:	DESCRIPTION:
23831CBAAM	BOX SST 1F 1b, 3/4 NPT BOTTOM
23804ABAAB	COVER SST 1F 1b, ONE DEVICE
23203BAAB	ASSY, DIN RAIL HKH 2 TIER
MOUNT METHOD: AC690V 16A AC-12 AC230V 16A AC-15	
DEVICE 1 ASSEMBLY (1F)	
P/N:	DESCRIPTION:
HKHBPMTMG	MAINTAINED PUSH PULL MUSHROOM HD, GRN
23225BAAB	LAM, START
LOCKOUT DEV.: NONE	
CONTACT 1:	CONTACT BLOCK, FACT SEALED N.O. DRM, 20A
CONTACT 2:	CONTACT BLOCK, FACT SEALED N.C. DRM, 20A

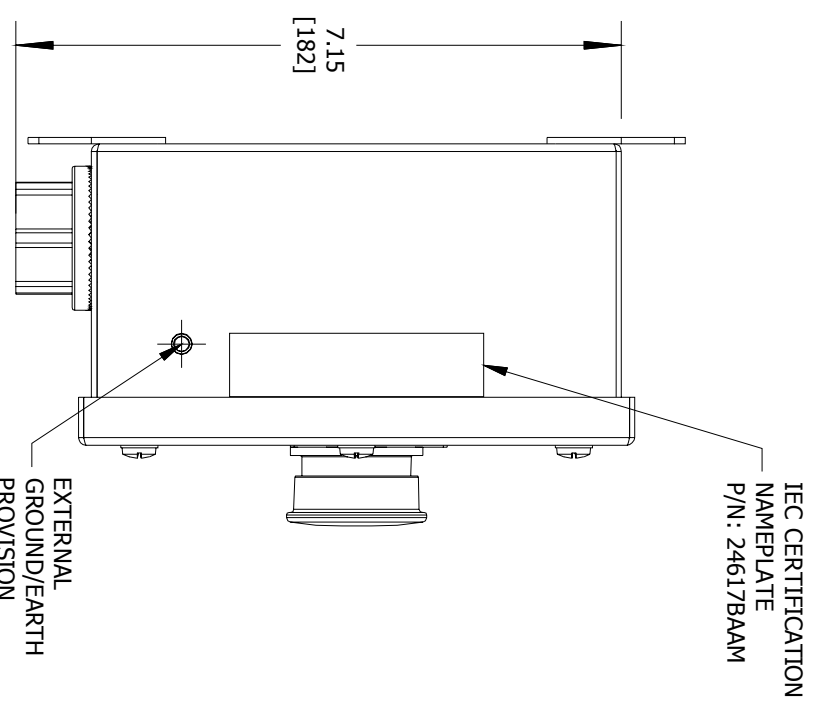
CONTACT BLOCK RATINGS:  
690 VAC, 20A, 50-60  
60 VDC, 5A, 110VDC, 1.5A

1/2 HP @ 120 VAC, 1 HP @ 208/240/277VAC  
NEMA A600/Pe600 - PILOT DUTY  
350VAC, 20A - TUNGSTEN  
AC690V 16A AC-12  
AC230V 16A AC-15

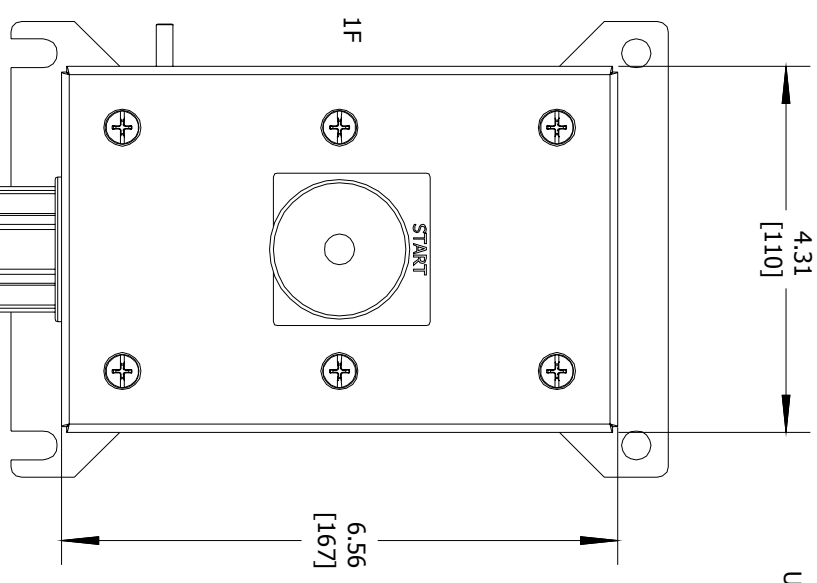
50-60HZ  
DC60V 5A DC-13  
TERMINALS RATED FOR 1-2 CONDUCTORS  
#22-10 AWG (0.5-4mm<sup>2</sup>)



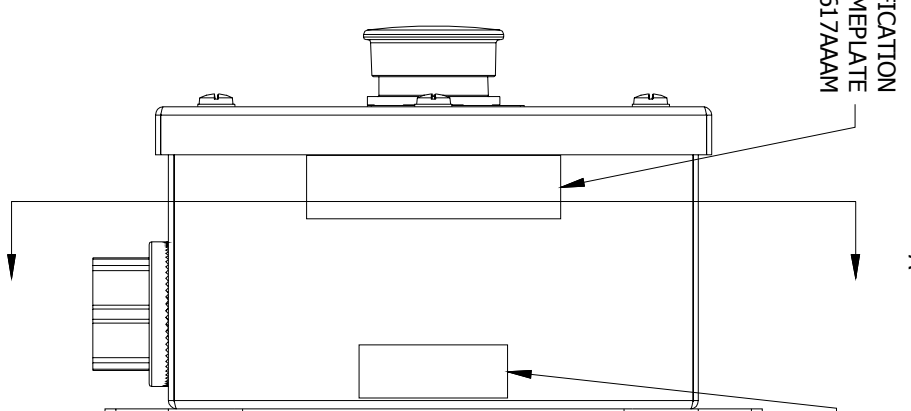
TOP VIEW



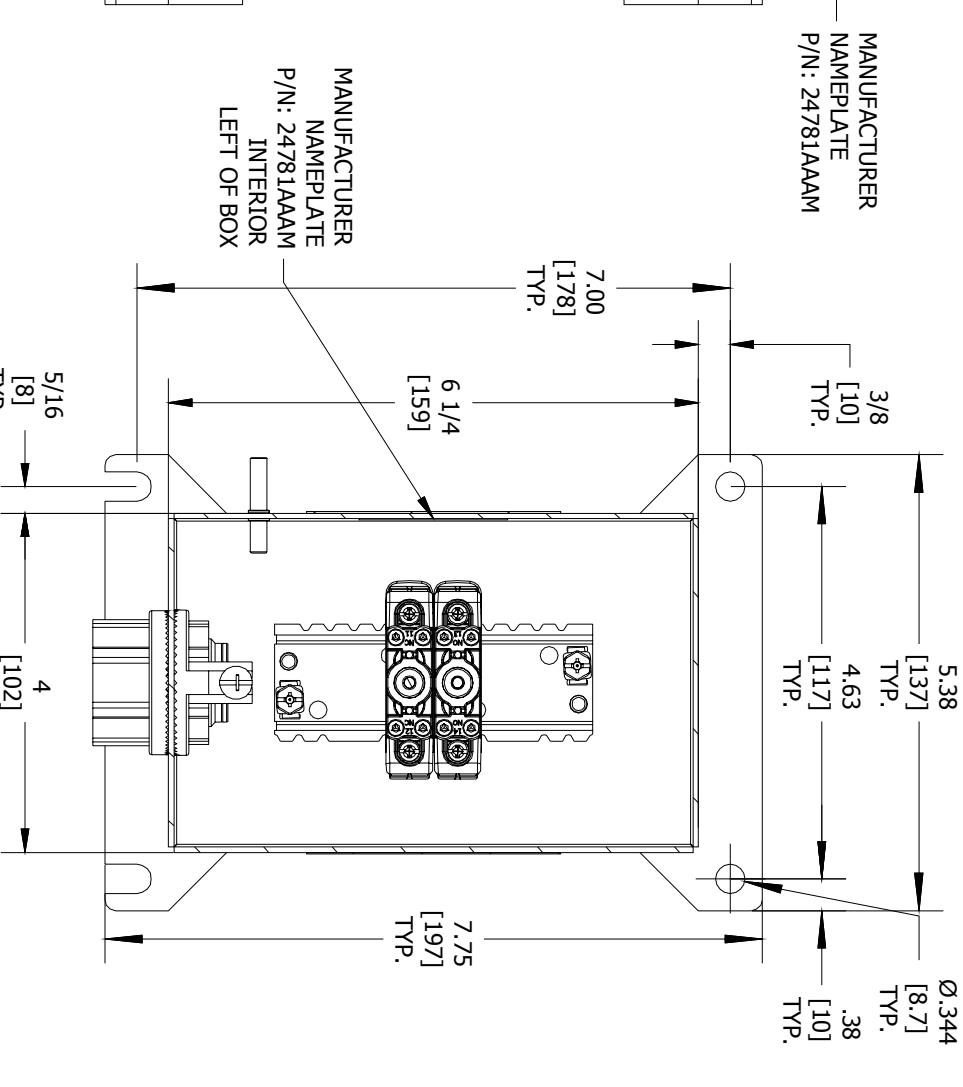
LEFT SIDE VIEW



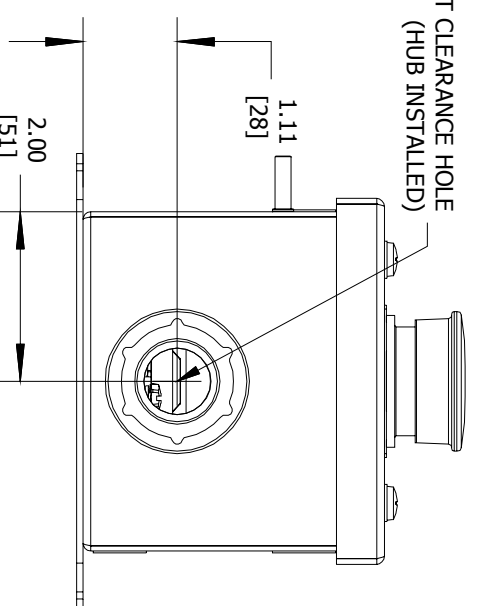
FRONT VIEW



RIGHT SIDE VIEW



SECTION A-A VIEW



BOTTOM VIEW

	<b>CAT. NO.</b>	<b>HKHMOD Series</b>	<b>DATE CODE-S/N</b>
Harsh & Hazardous	WWW.HARSHANDHAZARDOUS.COM		ST. LOUIS, MO 63113
	<b>0539 @ I12G Ex de IIC T6..T4 Gb</b>	<b>0539 @ I12D Ex tb IIC T85°C...T135°C Db IP66</b>	<b>FOR T-CODES AND FOR ELECTRICAL RATINGS.</b>
	<b>DEMKO 15 AT EX 1405X</b>	<b>Ex tb IIC T6..T4 Gb</b>	<b>See IOM FORM K1466 &amp; K1470</b>
	<b>Ex de IIC T6..T4 Gb</b>	<b>Ex tb IIC T85°C...T135°C Db IP66</b>	<b>FOR T-CODES AND FOR ELECTRICAL RATINGS.</b>
	<b>IECEx UL 15.0054X</b>	<b>IECEx UL 15.0054X</b>	<b>See IOM FORM K1466 FOR ELECTRICAL RATINGS.</b>
	<b>-50°C STaS+60°C</b>	<b>-40°C STaS+55°C WITH AMMETER)</b>	<b>TR RU C-US, MIO62.B,04167 IEX 16.0079 INMETRO</b>

CERTIFICATION NAME PLATES

COMMENT:	SGN:	DATE:	ACCEPTANCE:	DRAWN BY:	DATE:	DWG NUMBER:
			CODE 1: APPROVED (NO COMMENTS)		10/21/2016	HKH1BSD2M51AK8
			CODE 2: APPROVED FOR MANUFACTURING WITH COMMENTS TO BE INCORPORATED			
			CODE 3: NOT APPROVED RE-SUBMIT			
			CODE 4: FOR INFORMATION ONLY			

REVISION	REVISION	REVISION	REVISION

HKH SERIES  
CONTROL STATION

CAT. NO. **HKH1BSD2M51AK8**

COUNTRY/DATE CODE

WWW.HARSHANDHAZARDOUS.COM

<b>TITLE:</b>	HKH MODIFIED ENCLOSURE (HKH1BSD2M51AK8)
<b>ENTRY NO.</b>	HUB/GLAND:
<b>ENTRY 1</b>	K8: WH-255G
*HUBS & CABLE GLANDS ARE SHIPPED WITH ENCLOSURE	
<b>ENTRY NO.</b>	HUB/GLAND:
<b>ENTRY 1</b>	K8: WH-255G
<b>SALES/QUOTE NO.:</b>	N/A
<b>ITEM:</b>	N/A