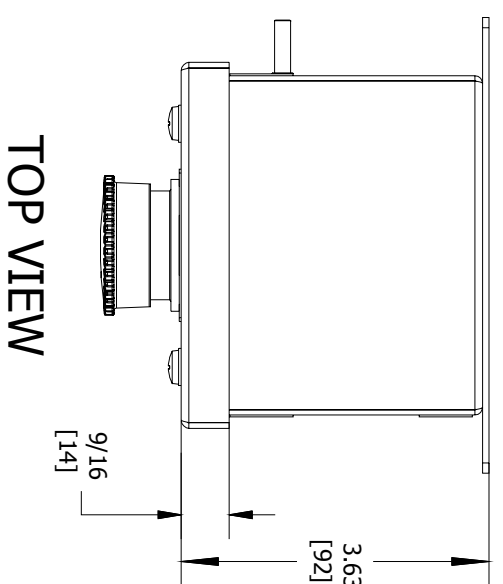


ENCLOSURE INFORMATION	
P/N:	DESCRIPTION:
23831CBAAM	BOX SST 1F 1b, 3/4 NPT BOTTOM
23804ABAAB	COVER SST 1F 1b, ONE DEVICE
23203BAAB	ASSY, DIN RAIL HKH 2 TIER
MOUNT METHOD:	
DEVICE 1 ASSEMBLY (1F)	
P/N:	DESCRIPTION:
HKHB81MTMR	MAINTAINED P. B. TWIST REL, MUSH HD, RED
23225TAAB	LAM, EMERGENCY STOP
LOCKOUT DEV.:	
N/A	
CONTACT 1:	CONTACT BLOCK, FACT SEALED N.O. DRM, 20A
CONTACT 2:	CONTACT BLOCK, FACT SEALED N.C. DRM, 20A

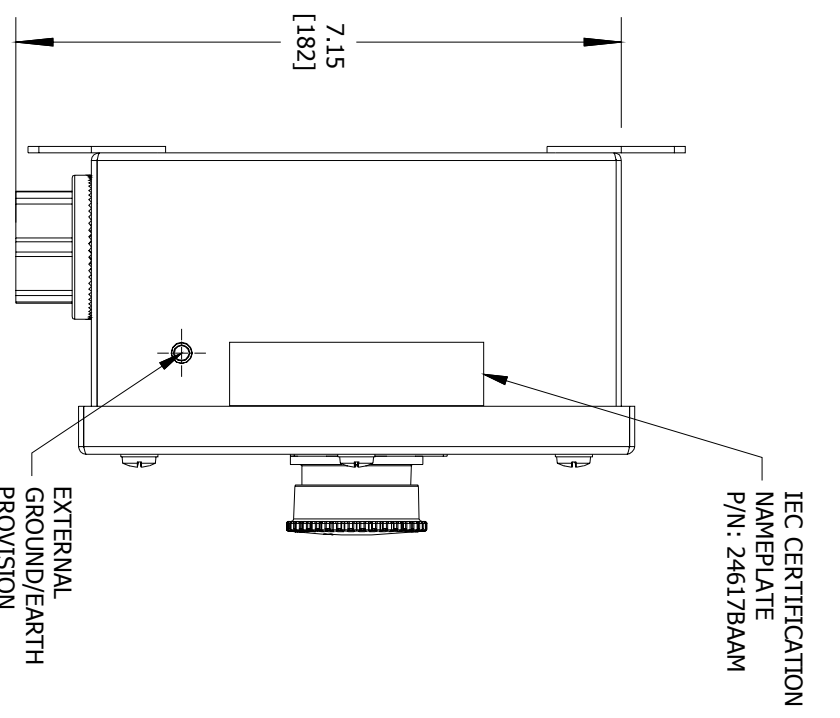
CONTACT BLOCK RATINGS:
690 VAC, 20A, 50-60
60 VDC, 5A, 110VDC, 1.5A
1/2 HP @ 120 VAC, 1 HP @ 208/240/277VAC
NEMA A600/Pe600 - PILOT DUTY
350VAC, 20A - TUNGSTEN
AC690V, 16A AC-12
AC230V, 16A AC-15
50-60HZ
DC60V, 5A DC-13
TERMINALS RATED FOR 1-2 CONDUCTORS
#22-10 AWG (0.5-4mm²)



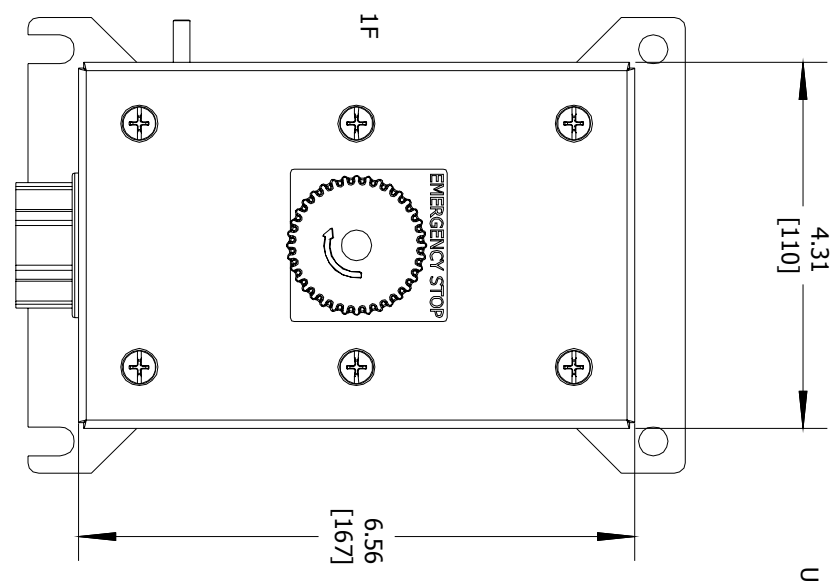
TOP VIEW

		CAT. NO. HKHMOD Series		DATE CODE: S/N
Harsh & Hazardous www.HARSHANDHAZARDOUS.COM		ST. LOUIS, MO 63113		SEE IOM FORM K1466 & K1470 FOR T-CODES AND FOR ELECTRICAL RATINGS.
INDUSTRIAL CONTROL EQUIPMENT FOR USE IN ZONE CLASSIFIED HAZ. LOC5. CLASS I, ZONE 1, AEX de IIC T6...T4 Gp; Ex de IIC T6...T4 Gp ZONE 21, AEX tb IIC T85°C...T135°C Db IP66; Ex tb IIC T85°C...T135°C Db IP66 CLASS I, DIV.2, GRPs, A,B,C,D; CLASS II, DIV.1, GRPs, E,F,G (CANADA ONLY) CLASS II, DIV.2, GROUPS E,F,G; CLASS III CLASS III; TYPE 3/4/4X/12/13; -50°C ≤ T _a ≤ +60°C		TR RU C-US.M1062.B.04167 IEX 16.0079 INMETRO		
				IEX 16.0079 INMETRO
IECEx UL 15,0054X Ex de IIC T6...T4 Gp; T135°C Db IP66 Ex tb IIC T85°C...T135°C Db IP66 IECEx UL 15,0054X (-50°C ≤ T _a ≤ +60°C (-40°C ≤ T _a ≤ +55°C WITH AMMETER)		SEE IOM FORM K1466 FOR ELECTRICAL RATINGS.		

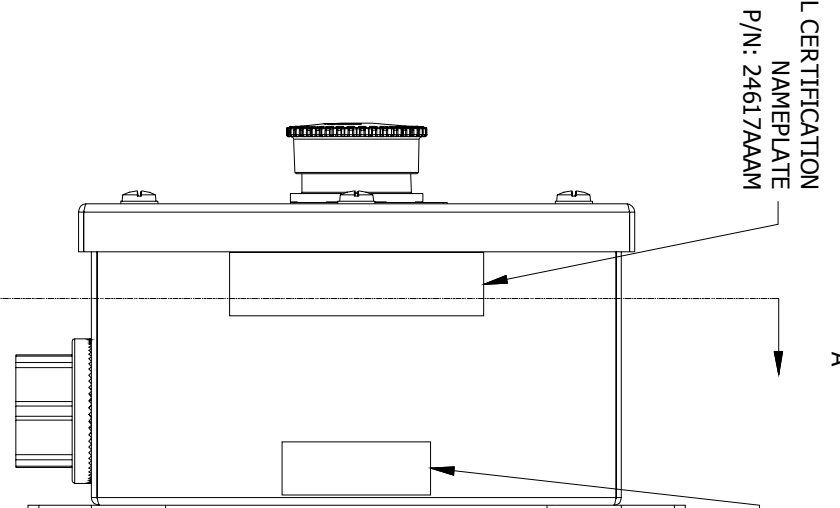
CERTIFICATION NAME PLATES



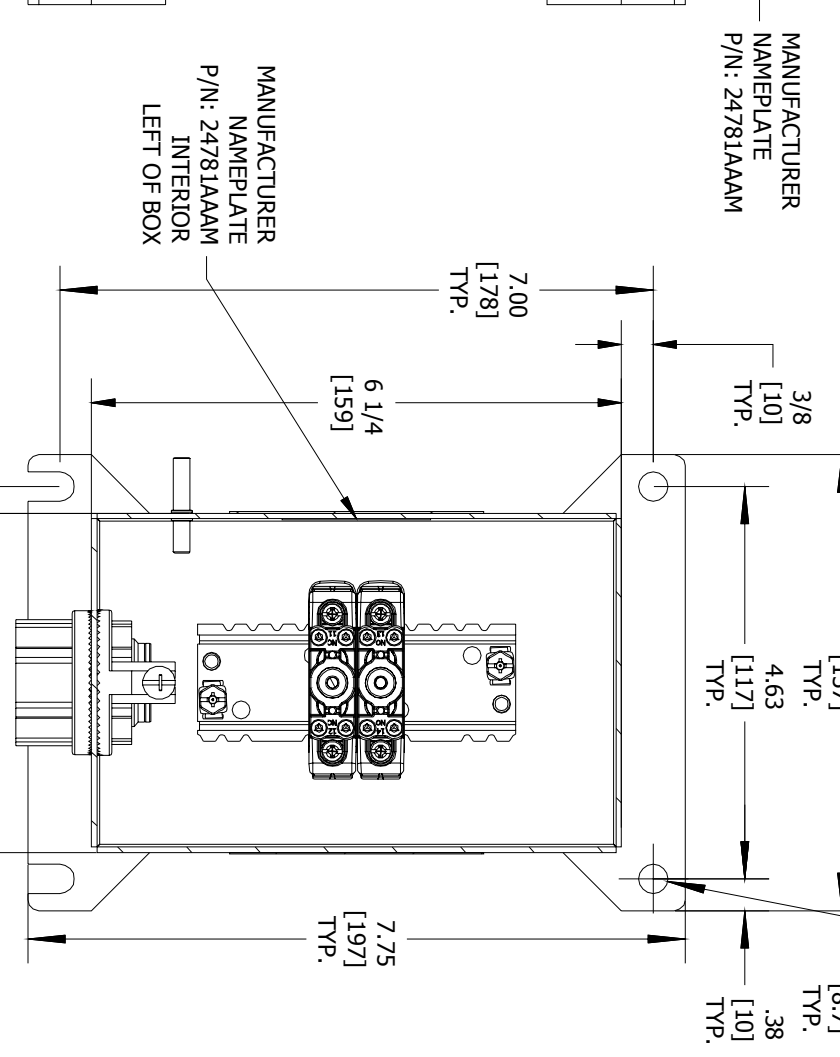
LEFT SIDE VIEW



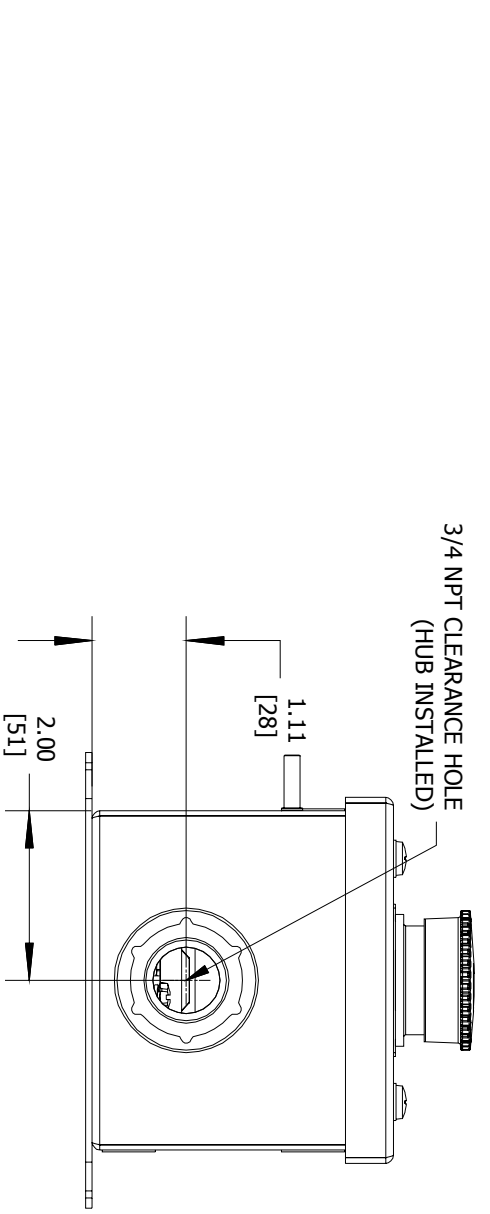
FRONT VIEW



RIGHT SIDE VIEW



SECTION A-A VIEW



BOTTOM VIEW

COMMENT:	SGN:	DATE:	ACCEPTANCE:	DRAWN BY:	DATE:	DWG NUMBER:	ENTRY NO.	HUB/GLAND:
			CODE 1: APPROVED (NO COMMENTS)	PR	10/19/2016	HKH1BSD2M7IEK8	ENTRY 1	K8: WH-2SSG
			CODE 2: APPROVED FOR MANUFACTURING WITH COMMENTS TO BE INCORPORATED					
			CODE 3: NOT APPROVED RE-SUBMIT					
			CODE 4: FOR INFORMATION ONLY					
TITLE:								

COMMENTS:

SGN:

DATE:

ACCEPTANCE:

DRAWN BY:

DATE:

DWG NUMBER:

ENTRY NO.:

HUB/GLAND:

SALES/QUOTE NO.:

ITEM:

HKH SERIES
CONTROL STATION

CAT. NO.
HKH1BSD2M7IEK8

COUNTRY/DATE CODE

WWW.HARSHANDHAZARDOUS.COM

REVISION

REVISION

REVISION

REVISION

REVISION

REVISION

REVISION

REVISION

REVISION

REVISION

REVISION

REVISION

REVISION

REVISION

REVISION

REVISION

REVISION

REVISION

REVISION

REVISION

REVISION

REVISION

REVISION

REVISION

REVISION

REVISION

REVISION

REVISION

REVISION

REVISION

REVISION

REVISION

REVISION

REVISION

REVISION

REVISION