

4

3

2

1

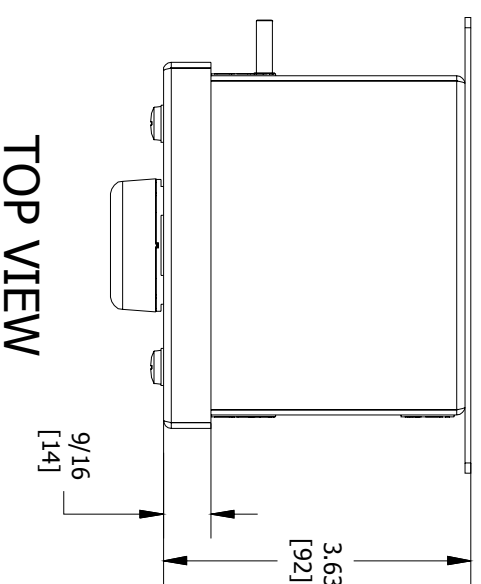
ENCLOSURE INFORMATION	
P/N:	DESCRIPTION:
23831CBAM	BOX SST 1F 1b, 3/4 NPT BOTTOM
23804BAB	COVER SST 1F 1b, ONE DEVICE
23203BAB	ASSY, DIN RAIL HKH 2 TIER
MOUNT METHOD:	
DEVICE 1 ASSEMBLY (1F)	
P/N:	DESCRIPTION:
HKHBMSS	PUSH BUTTON, MOM., START(I),STOP(O),BLK
LGND. PLATE:	N/A
LOCKOUT ACQ:	N/A
CONTACT 1:	CONTACT BLK, FACT SEALED N.O. DRM, 20A
CONTACT 2:	CONTACT BLK, FACT SEALED N.C. DRM, 20A

CONTACT BLOCK RATINGS:  
 690 VAC, 20A, 50-60  
 60 VDC, 5A, 110VDC, 1.5A

1/2 HP @ 120 VAC, 1 HP @ 208/240/277VAC  
 NEMA A600/P600 - PILOT DUTY  
 350VAC, 20A - TUNGSTEN  
 AC690V 16A AC-12  
 AC230V 16A AC-15  
 50-60HZ

DC60V 5A DC-13  
 TERMINALS RATED FOR 1-2 CONDUCTORS  
 #22-10 AWG. (0.5-4mm<sup>2</sup>)

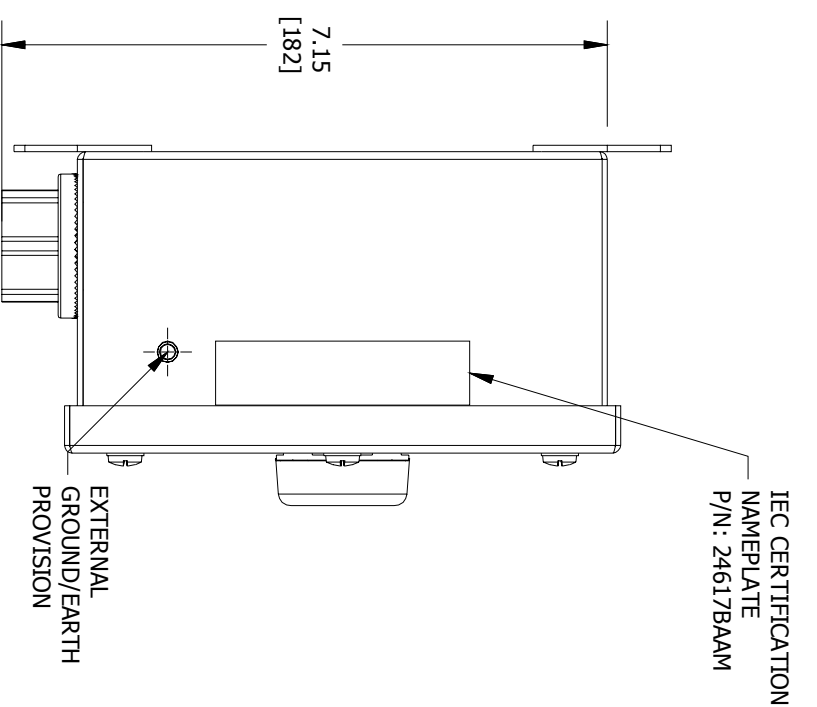
- \*SUPPLIED WITH 7 COLORED INSERTS:
1. "STOP" (RED)
  2. "START" (GREEN)
  3. "I" (GREEN)
  4. "O" (RED)
  5. BLANK (BLACK)
  6. BLANK (GREEN)
  7. BLANK (RED)



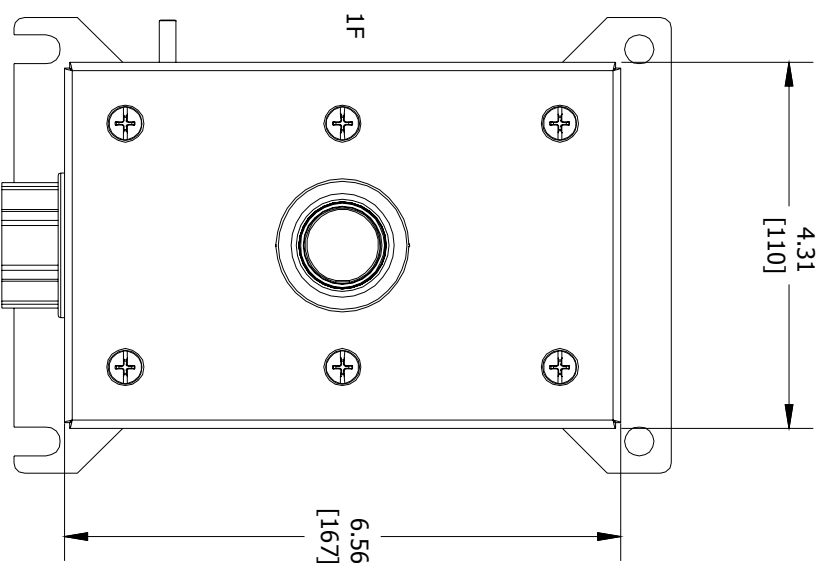
TOP VIEW

CERTIFICATION NAME PLATES

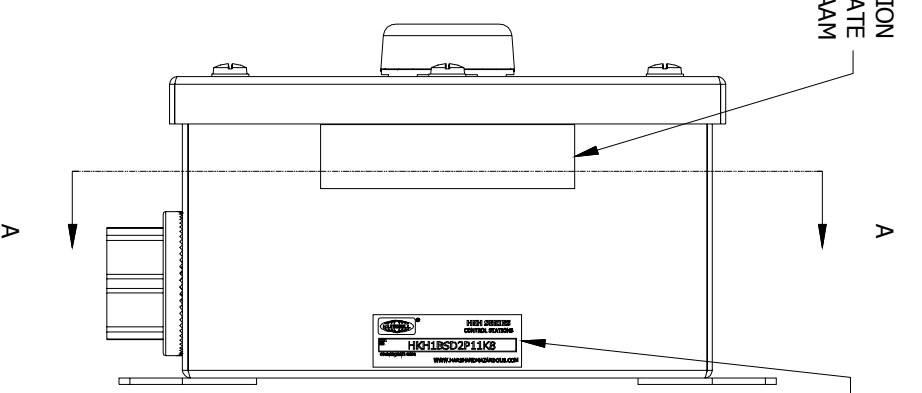
 Harsh & Hazardous WWW.HARSHANDHAZARDOUS.COM	 UL LISTED A243
	DATE CODE: S/N ST. LOUIS, MO 63113
CAT. NO. <b>HKHMOD Series</b> WWW.HARSHANDHAZARDOUS.COM	DATE CODE: S/N ST. LOUIS, MO 63113
INDUSTRIAL CONTROL EQUIPMENT FOR USE IN ZONE CLASSIFIED HAZ. LOCS. CLASS I, ZONE 1, AEx de IIC T6...T4 Gb; Ex de IIC T6...T4 Gb CLASS I, DIV. 2, GRP5, A,B,C,D; CLASS II, DIV.1, GRP5, E,F,G (CANADA ONLY) CLASS III, TYPE 3/4/4X/12/13, -50°C ≤T <sub>st</sub> ≤+60°C	SEE IOM FORM K1466 FOR ELECTRICAL RATINGS.
IEC 0539 Ex de IIC T6...T4 Gb DEMKO 15 ATEX 1405X Ex de IIC T6...T4 Gb; Ex de IIC T85°C...T135°C Db IP66 IECEx UL 15.0054X -50°C ≤T <sub>st</sub> ≤+60°C (-40°C ≤T <sub>st</sub> ≤+55°C WITH AMMETER)	TR RU C-US, MIO62.B.04167 IEX 16.0079 INMETERO
IECEx 15 ATEX 1405X Ex de IIC T6...T4 Gb; Ex de IIC T85°C...T135°C Db IP66 IECEx UL 15.0054X -50°C ≤T <sub>st</sub> ≤+60°C (-40°C ≤T <sub>st</sub> ≤+55°C WITH AMMETER)	SEE IOM FORM K1466 & K1470 FOR T-CODES AND FOR ELECTRICAL RATINGS.



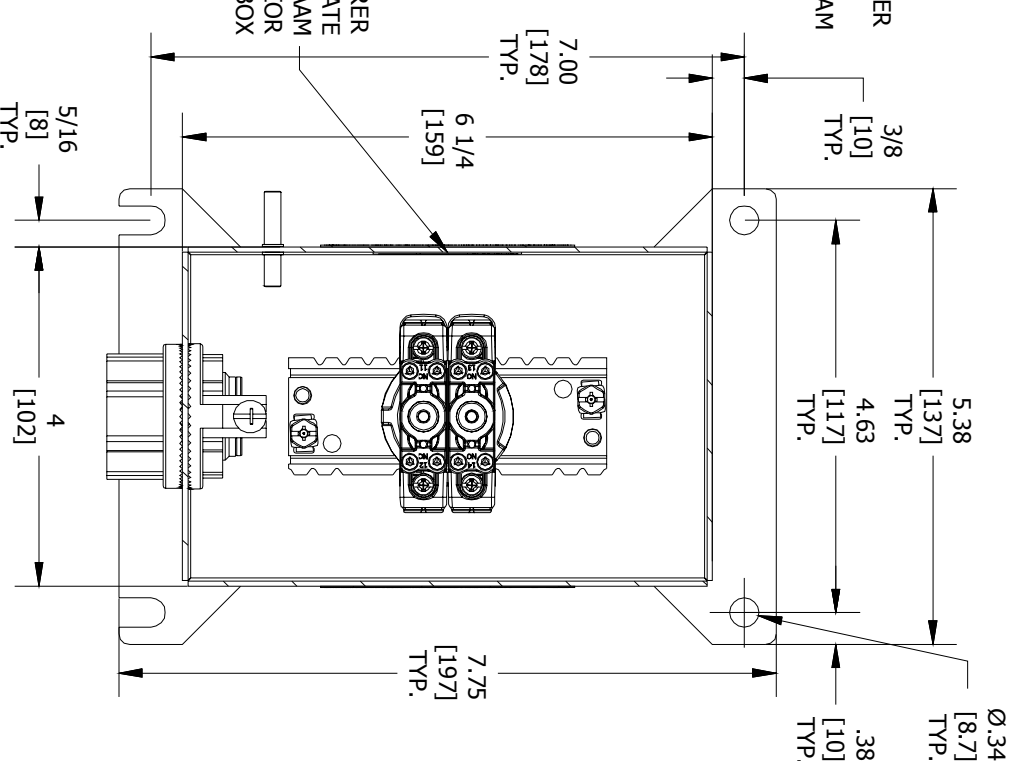
LEFT SIDE VIEW



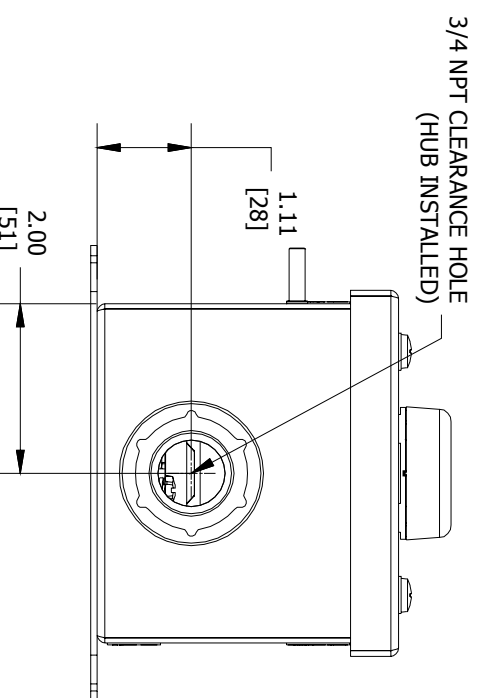
FRONT VIEW



RIGHT SIDE VIEW



SECTION A-A VIEW



BOTTOM VIEW

  
 HKH SERIES  
 CONTROL STATIONS  
 MFG. NAME PLATE (REF.)  
 HKH1BSD2P11K8  
 WWW.HARSHANDHAZARDOUS.COM

COMMENT:	SGN:	DATE:	ACCEPTANCE:
			CODE 1: APPROVED (NO COMMENTS) CODE 2: APPROVED FOR MANUFACTURING WITH COMMENTS TO BE INCORPORATED CODE 3: NOT APPROVED RE-SUBMIT CODE 4: FOR INFORMATION ONLY

DRAWN BY:	DATE:	DWG NUMBER:	ITEM:
PR	10-03-2016	HKH1BSD2P11K8	N/A
TITLE:	SALES/QUOTE NO.:		
HKH MODIFIED ENCLOSURE (HKH1BSD2P11K8)	N/A		

ENTRY HUB/GLAND SELECTION CHART\*

ENTRY NO.	HUB/GLAND:
ENTRY 1	K8: WH-255G

\*HUBS & CABLE GLANDS ARE SHIPPED WITH ENCLOSURE

MFG. NAME PLATE (REF.)

REVISION	3	REVISION	2

REVISION	2	REVISION	1

4

3

2

1