

4

3

2

1

ENCLOSURE INFORMATION	
P/N:	DESCRIPTION:
23831CBAW	BOX SST 1F 1b, 3/4 NPT BOTTOM
23804ACAB	COVER SST 1F 1b, TWO DEVICE
23203BAAB	ASSY, DIN RAIL HKH 2 TIER

CONTACT BLOCK RATINGS:
690 VAC, 20A, 50-60
60 VDC, 5A, 110VDC, 1.5A

1/2 HP @ 120 VAC, 1 HP @ 208/240/277VAC
NEMA A600/P600 - PILOT DUTY
350VAC, 20A - TUNGSTEN
AC690V 16A AC-12
AC230V 16A AC-15
50-60HZ
DC60V 5A DC-13
TERMINALS RATED FOR 1-2 CONDUCTORS
#22-10 AWG. (0.5-4mm²)

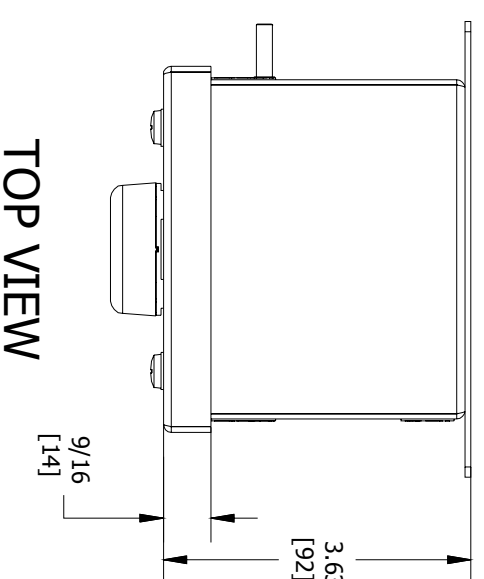
DEVICE 1 ASSEMBLY (1F)	
P/N:	DESCRIPTION:
HKHBMMS	PUSH BUTTON, MOM., START,(I),STOP(O),BLK
LGND. PLATE:	N/A
LOCKOUT ACY:	N/A
CONTACT 1:	CONTACT BLK, FACT SEALED N.O. DRM, 20A
CONTACT 2:	CONTACT BLK, FACT SEALED N.C. DRM, 20A

DEVICE 2 ASSEMBLY (2F)	
P/N:	DESCRIPTION:
HKHBMMS	PUSH BUTTON, MOM., START,(I),STOP(O),BLK
LGND. PLATE:	N/A
LOCKOUT ACY:	N/A
CONTACT 1:	CONTACT BLK, FACT SEALED N.O. DRM, 20A
CONTACT 2:	CONTACT BLK, FACT SEALED N.C. DRM, 20A

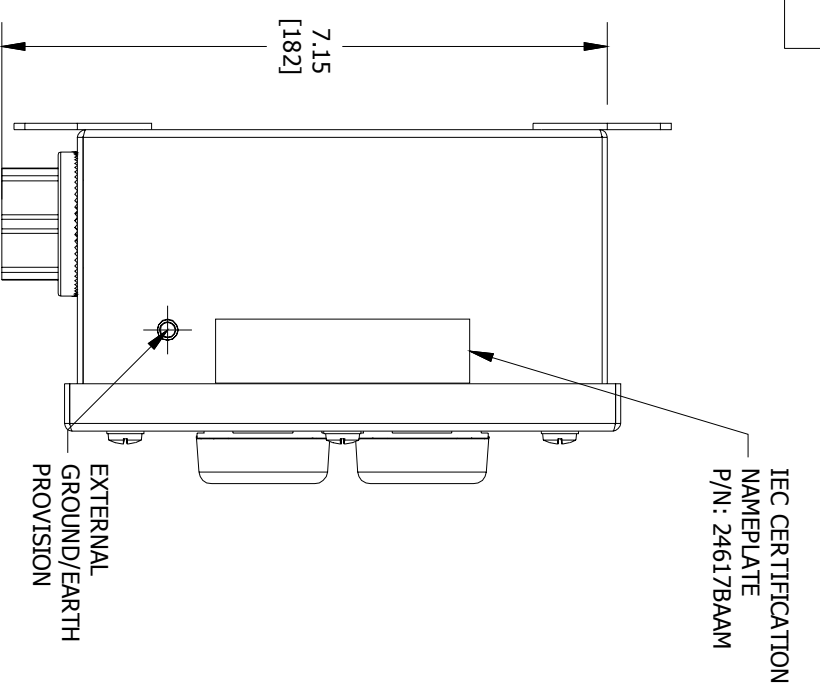
DEVICE:	HKHBMMS	PUSH BUTTON, MOM., START,(I),STOP(O),BLK
LGND. PLATE:	NONE	N/A
LOCKOUT ACY:	NONE	N/A
CONTACT 1:	HKHNO20D	CONTACT BLK, FACT SEALED N.O. DRM, 20A
CONTACT 2:	HKHNC20D	CONTACT BLK, FACT SEALED N.C. DRM, 20A

*SUPPLIED WITH 7 COLORED INSERTS:

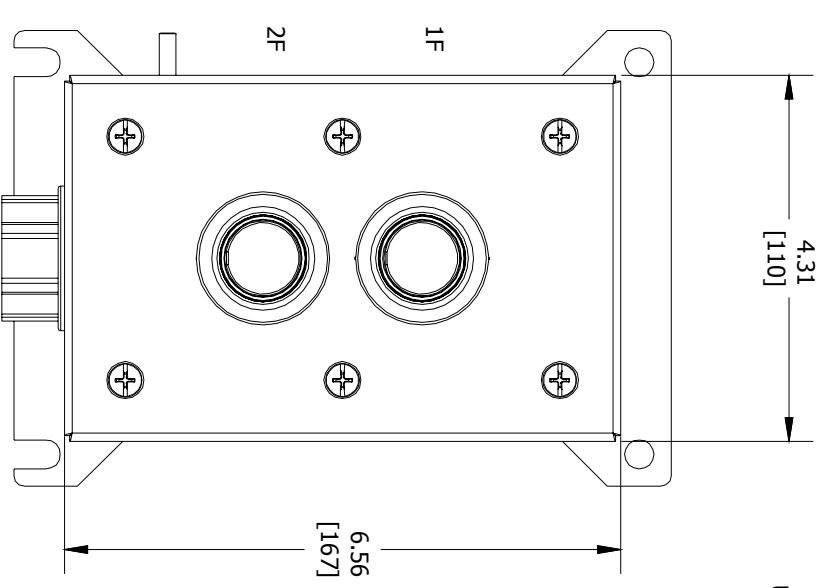
1. "STOP" (RED)
2. "START" (GREEN)
3. "I" (GREEN)
4. "O" (RED)
5. BLANK (BLACK)
6. BLANK (GREEN)
7. BLANK (RED)



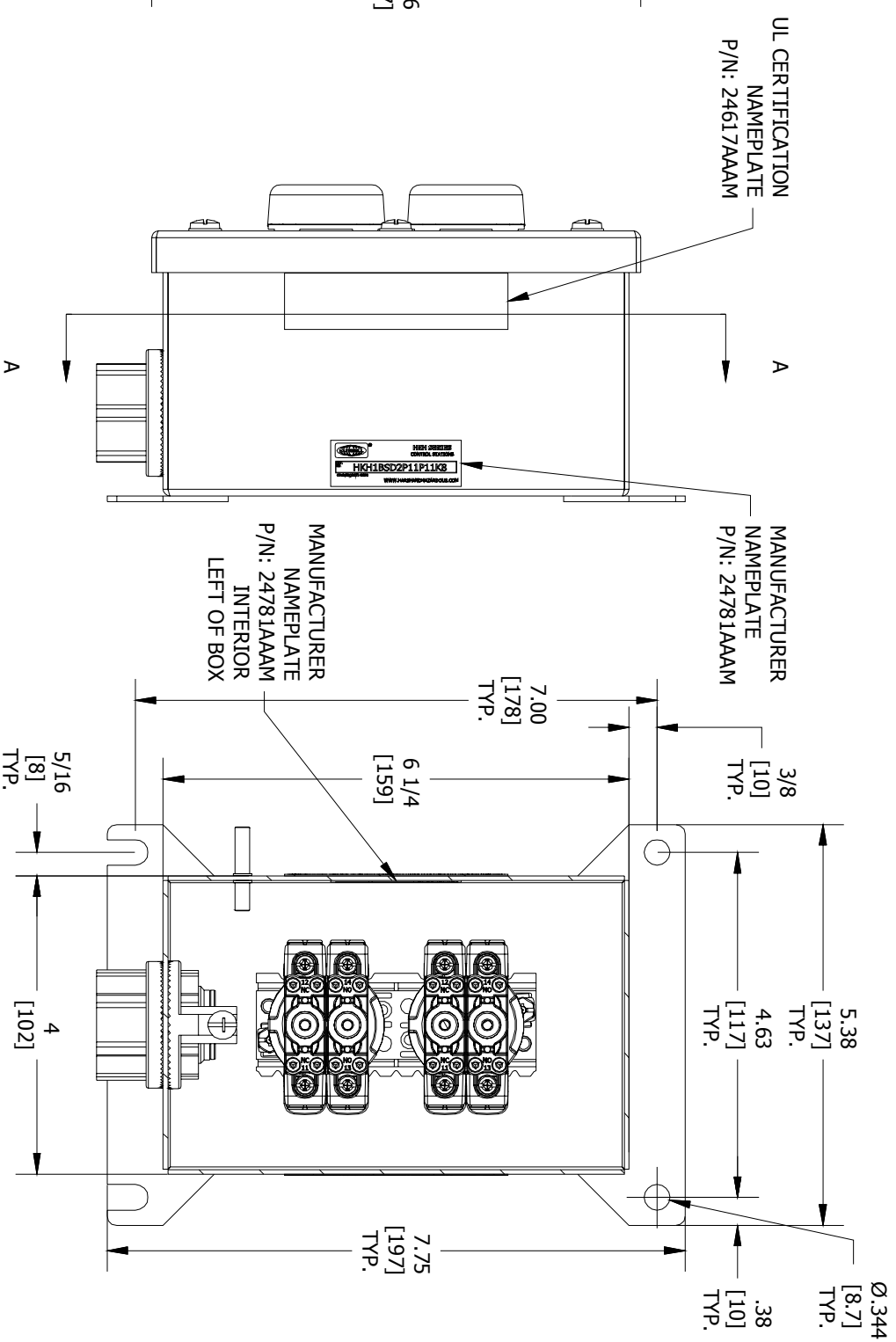
TOP VIEW



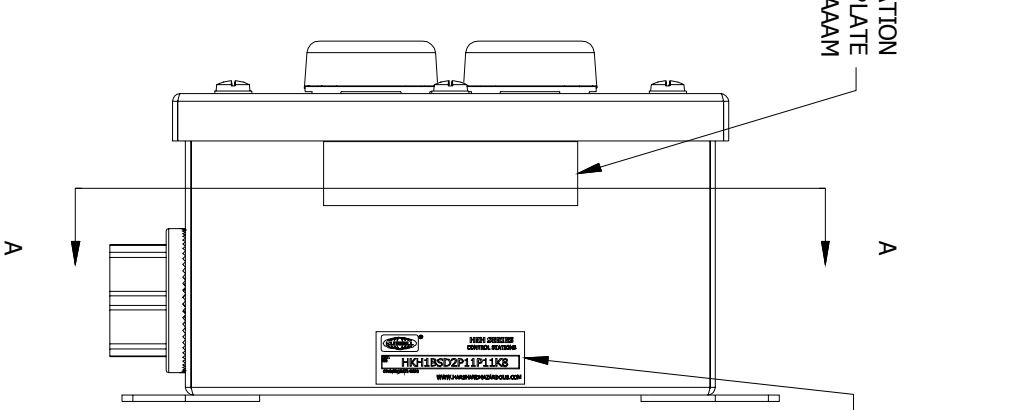
LEFT SIDE VIEW



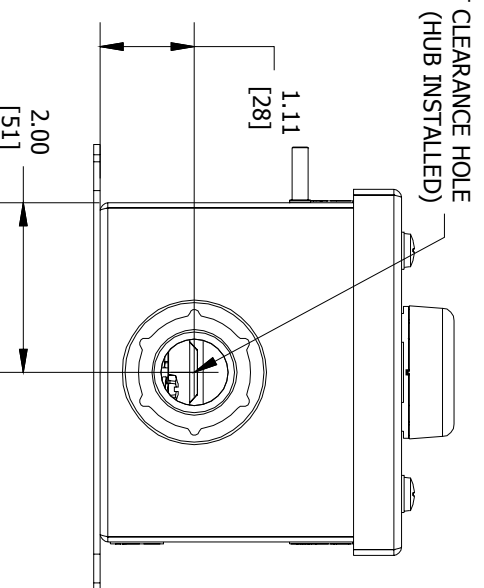
FRONT VIEW



SECTION A-A VIEW



RIGHT SIDE VIEW



BOTTOM VIEW

Hubbell Harsh & Hazardous	CAT. NO. HKHMOD Series	DATE CODE S/N
www.harshandhazardous.com	ST. LOUIS, MO 63113	
INDUSTRIAL CONTROL EQUIPMENT FOR USE IN ZONE CLASSIFIED HAZ. LOCS. CLASS I, ZONE 1, AEx de IIC T6...T4 Gb; Ex de IIC T6...T4 Gb CLASS I, DIV.2, GRPS. A,B,C,D; CLASS II, DIV.1, GRPS. E,F,G (CANADA ONLY) CLASS III, TYPE 3/4/4X/12/13; -50°C STAs+60°C	SEE IOM FORM K1466 & K1470 FOR T-CODES AND FOR ELECTRICAL RATINGS.	ST. LOUIS, MO 63113
0539 @ I12G Ex de IIC T6...T4 Gb 0539 @ I12D Ex tb IIC T85°C...T135°C Db IP66 EX de IIC T6...T4 Gb; IP66 Ex tb IIC T85°C...T135°C Db IP66 IECEx UL 15.0054X -50°C STAs+60°C (-40°C STAs+55°C WITH AMMETER)	TR RU C-US, M1062, B.04167 IEX 16.0079 INMETRO	

Hubbell Harsh & Hazardous	CAT. NO. HKHMOD Series	DATE CODE S/N
www.harshandhazardous.com	ST. LOUIS, MO 63113	
INDUSTRIAL CONTROL EQUIPMENT FOR USE IN ZONE CLASSIFIED HAZ. LOCS. CLASS I, ZONE 1, AEx de IIC T6...T4 Gb; Ex de IIC T6...T4 Gb CLASS I, DIV.2, GRPS. A,B,C,D; CLASS II, DIV.1, GRPS. E,F,G (CANADA ONLY) CLASS III, TYPE 3/4/4X/12/13; -50°C STAs+60°C	SEE IOM FORM K1466 & K1470 FOR T-CODES AND FOR ELECTRICAL RATINGS.	ST. LOUIS, MO 63113
0539 @ I12G Ex de IIC T6...T4 Gb 0539 @ I12D Ex tb IIC T85°C...T135°C Db IP66 EX de IIC T6...T4 Gb; IP66 Ex tb IIC T85°C...T135°C Db IP66 IECEx UL 15.0054X -50°C STAs+60°C (-40°C STAs+55°C WITH AMMETER)	TR RU C-US, M1062, B.04167 IEX 16.0079 INMETRO	

CERTIFICATION NAME PLATES

COMMENT:

SGN:

DATE:

ACCEPTANCE:

DRAWN BY:

DATE:

DWG NUMBER:

ITEM:

CODE 1: APPROVED (NO COMMENTS)

CODE 2: APPROVED FOR MANUFACTURING WITH COMMENTS TO BE INCORPORATED

PR

10/07/2016

HKH1BSD2P11P11K8

N/A

CODE 3: NOT APPROVED RE-SUBMIT

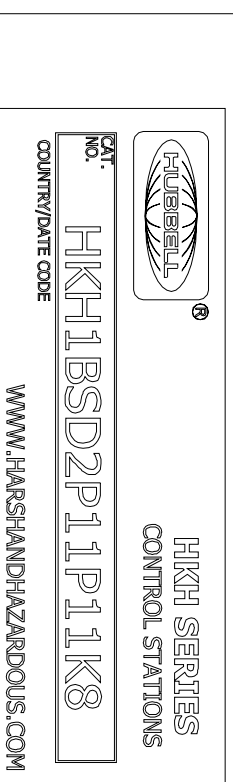
CODE 4: FOR INFORMATION ONLY

TITLE:

SALES/QUOTE NO.:

N/A

N/A



MFG. NAME PLATE (REF.)

4

3

2

1

A

REVISION



KILLARK

THIS DOCUMENT IS THE PROPERTY OF HUBBELL - KILLARK. IT IS LOANED TO YOU AND MUST NOT BE USED IN ANY WAY DETRIMENTAL TO THE INTEREST HUBBELL - KILLARK.

2

HKH MODIFIED ENCLOSURE

(HKH1BSD2P11P11K8)

SHEET 1 OF 1

ENTRY HUB/GLAND SELECTION CHART*

ENTRY NO.	HUB/GLAND:
ENTRY 1	K8: WH-2SSG

*HUBS & CABLE GLANDS ARE SHIPPED WITH ENCLOSURE