

4

3

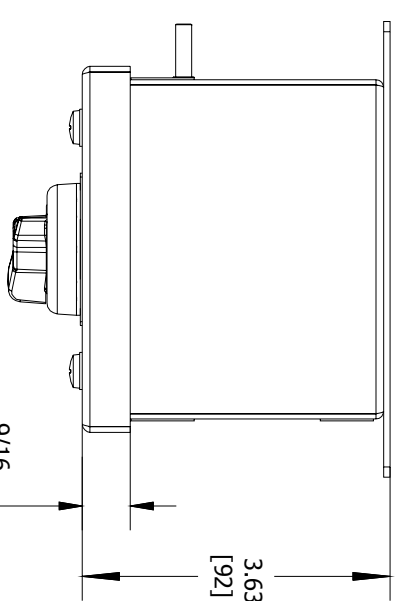
2

1

ENCLOSURE INFORMATION	
P/N:	DESCRIPTION:
23831CBAAM	BOX SST 1F 1b, 3/4 NPT BOTTOM
COVER:	COVER SST 1F 1b, ONE DEVICE
23804ABAB	ASSY, DIN RAIL HKH 2 TIER
MOUNT METHOD:	23203BAAB
DEVICE 1 ASSEMBLY (1F)	
P/N:	DESCRIPTION:
HKH2P5MTV	2 POS SEL SWT MAINTAINED CONTACT, VERT
LEGEND PLATE:	LAM, OFF ON
LOCKOUT DEV.:	N/A
CONTACT 1:	CONTACT BLCK, FACT SEALED N.O. DRM, 20A
HKH1NO20D	
CONTACT 2:	CONTACT BLCK, FACT SEALED N.C. DRM, 20A
HKH1NC20D	

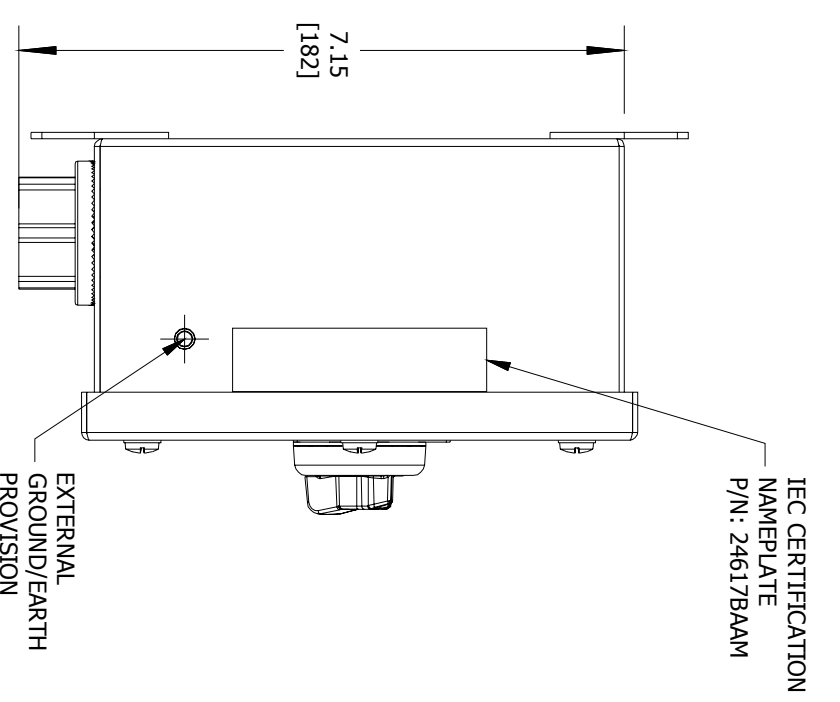
CONTACT BLOCK RATINGS:  
 690 VAC, 20A, 50-60  
 60 VDC, 5A, 110VDC, 1.5A

1/2 HP @ 120 VAC, 1 HP @ 208/240/277VAC  
 NEMA A600/P600 - PILOT DUTY  
 350VAC, 20A - TUNGSTEN  
 AC690V 16A AC-12  
 AC230V 16A AC-15  
 50-60HZ  
 DCGOV 5A DC-13  
 TERMINALS RATED FOR 1-2 CONDUCTORS  
 #22-10 AWG (0.5-4mm<sup>2</sup>)

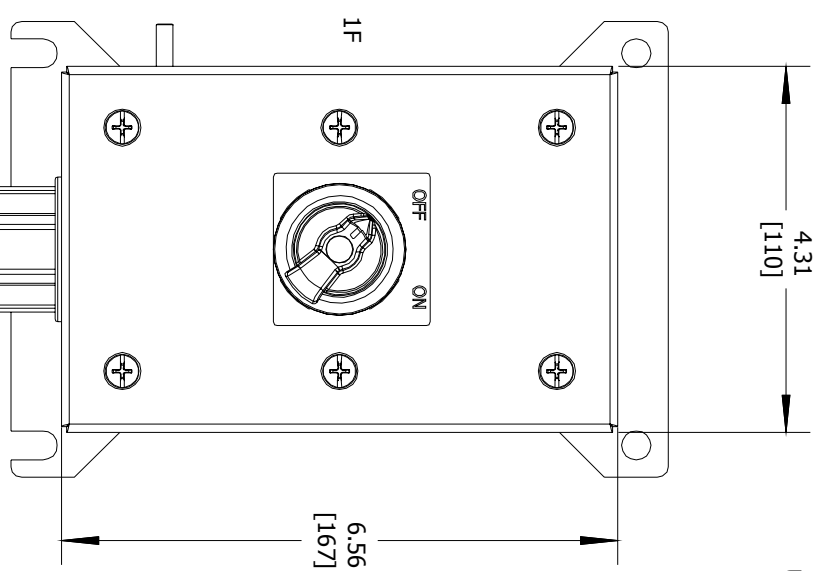


TOP VIEW

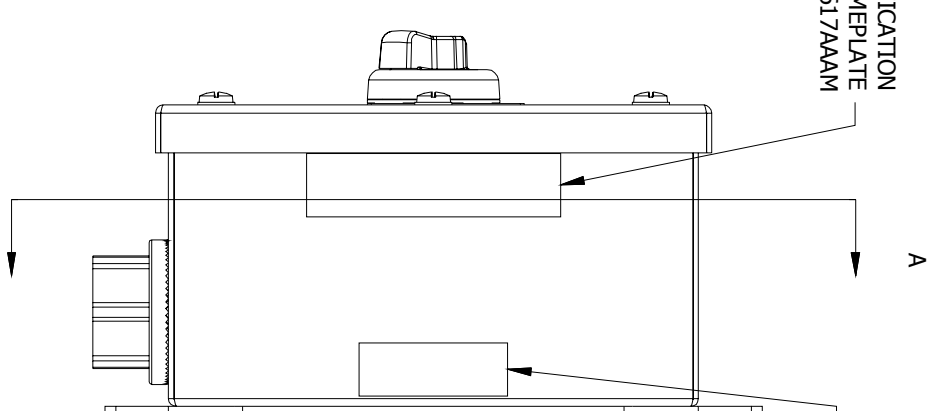
	<b>CAT. NO.</b> HKHMOD Series	DATE CODE S/N
Harsh & Hazardous	WWW.HARSHANDHAZARDOUS.COM	ST. LOUIS, MO 63113
	<b>INDUSTRIAL CONTROL EQUIPMENT FOR USE IN ZONE CLASSIFIED HAZ. LOCS.</b>	
	CLASS I, ZONE 1, AEx de IIC T6...T4 Gb; Ex de IIC T6...T4 Gb	
	ZONE 21, AEx tb IIIC T85°C...T135°C Db IP66; Ex tb IIIC T85°C...T135°C Db IP66	
	CLASS I, DIV.2, GRPS. AB,C,D; CLASS II, DIV.1, GRPS. E,F,G (CANADA ONLY)	
	CLASS II, DIV.2, GROUPS E,F,G; CLASS III	
	CLASS III, TYPE 3/4/4X/12/13; -50°C ≤T <sub>1a</sub> ≤+60°C	
	SEE IOM FORM K1466 FOR ELECTRICAL RATINGS.	
	<b>CERTIFICATION NAME PLATES</b>	
	DATE CODE S/N	
	ST. LOUIS, MO 63113	



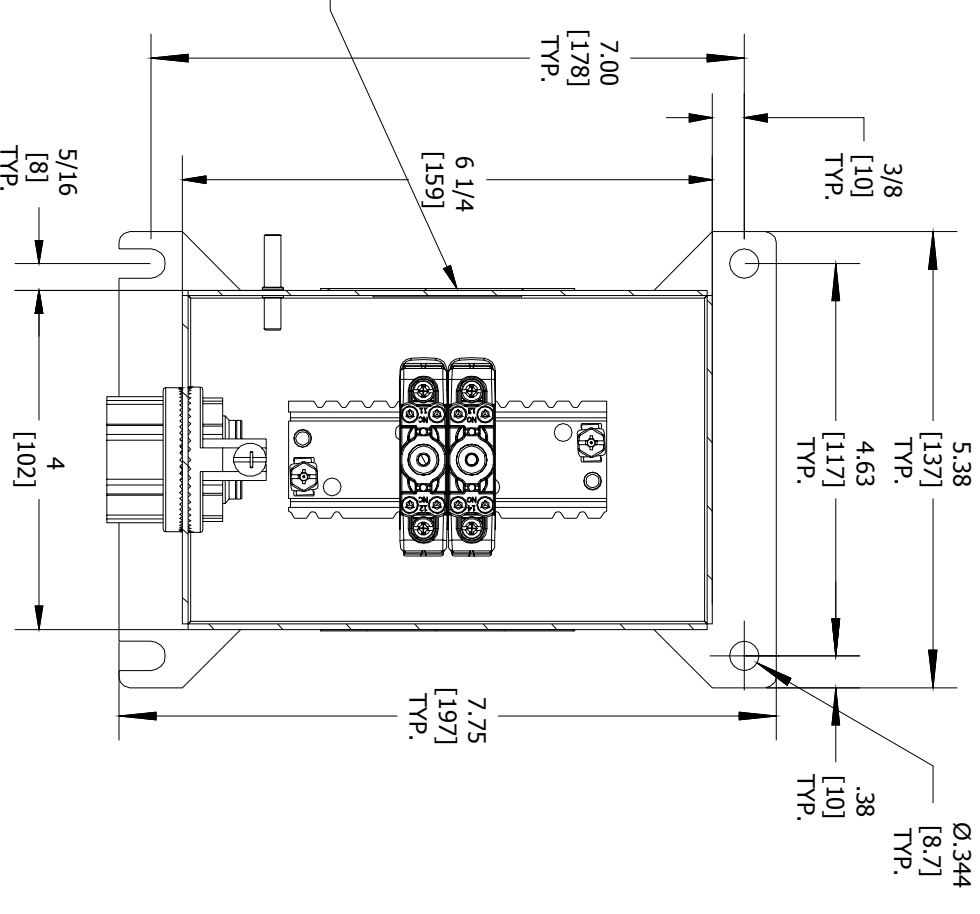
LEFT SIDE VIEW



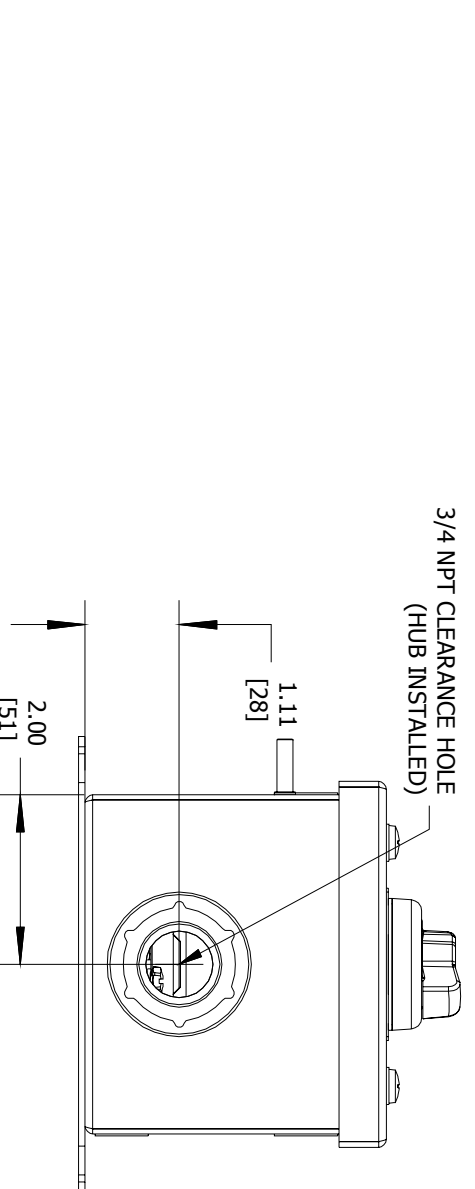
FRONT VIEW



RIGHT SIDE VIEW



SECTION A-A VIEW



BOTTOM VIEW

**HUBBELL**  
 HKH SERIES  
 CONTROL STATION  
 CAT. NO. HKH1BSD2S11SK8  
 WWW.HARSHANDHAZARDOUS.COM

COMMENT:	SGN:	DATE:	ACCEPTANCE:
			CODE 1: APPROVED (NO COMMENTS)
			CODE 2: APPROVED FOR MANUFACTURING
			WITH COMMENTS TO BE INCORPORATED
			CODE 3: NOT APPROVED RE-SUBMIT
			CODE 4: FOR INFORMATION ONLY

DRAWN BY:	DATE:	DWG NUMBER:	ENTRY NO.
PR	10/26/2016	HKH1BSD2S11SK8	HUB/GLAND:
TITLE:	SALES/QUOTE NO.:	N/A	K8: WH-255G
HKH MODIFIED ENCLOSURE (HKH1BSD2S11SK8)			

A

A

C

C

B

B

4

3

2

1

REVISION



THIS DOCUMENT IS THE PROPERTY OF HUBBELL - KILLARK. IT IS LOANED TO YOU AND MUST NOT BE USED IN ANY WAY DETRIMENTAL TO THE INTEREST HUBBELL - KILLARK.

HKH MODIFIED ENCLOSURE (HKH1BSD2S11SK8)

SHEET 1 OF 1

A

A

C

C

B

B

4

3

2

1