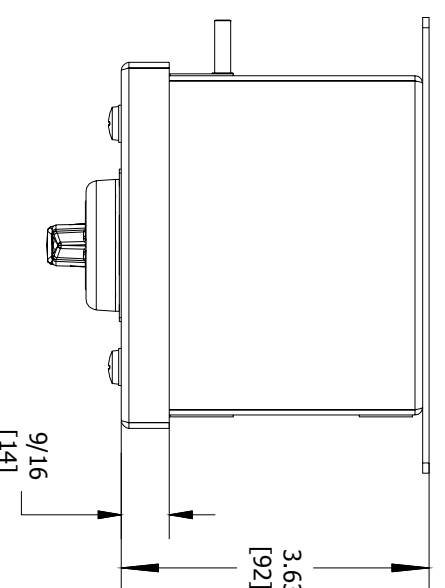
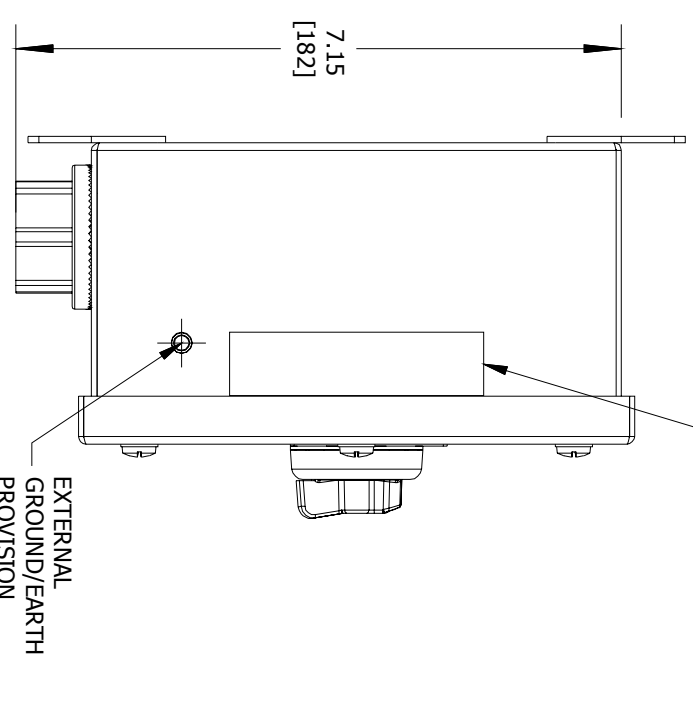


ENCLOSURE INFORMATION	
P/N:	DESCRIPTION:
23831CBAAM	BOX SST 1F 1b, 3/4 NPT BOTTOM
23804ABAAB	COVER SST 1F 1b, ONE DEVICE
23203BAAB	ASSY, DIN RAIL HKH 2 TIER
MOUNT METHOD:	
	ASSY, DIN RAIL HKH 2 TIER
DEVICE 1 ASSEMBLY (1F)	
P/N:	DESCRIPTION:
HKH3PSMT1V	3 POS SEL SWT MAINT CONT IND CAM, VERT
23225ACAB	LAM, HAND OFF AUTO
LOCKOUT DEV.:	
NONE	N/A
CONTACT 1:	
HKH1NO20D	CONTACT BLCK, FACT SEALED N.O. DRM, 20A
HKH1NO20D	CONTACT BLCK, FACT SEALED N.O. DRM, 20A

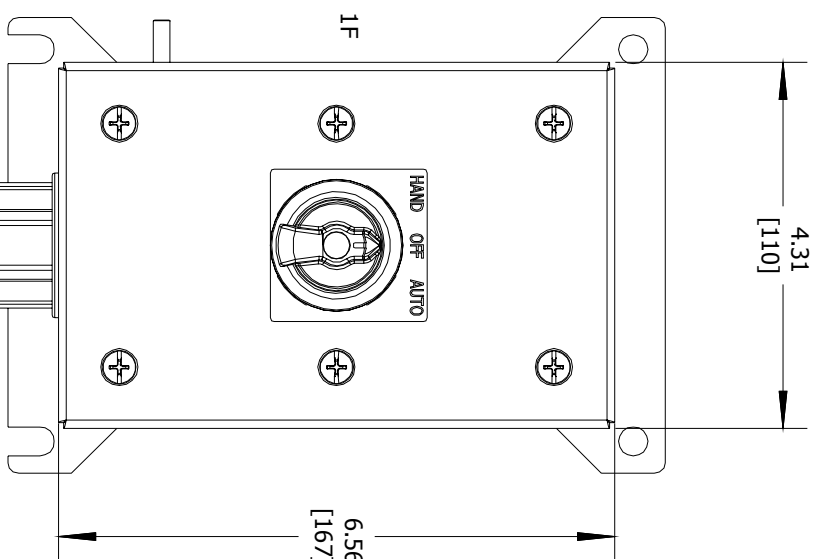
CONTACT BLOCK RATINGS:
690 VAC, 20A, 50-60
60 VDC, 5A, 110VDC, 1.5A
1/2 HP @ 120 VAC, 1 HP @ 208/240/277VAC
NEMA A600/P600 - PILOT DUTY
350VAC, 20A - TUNGSTEN
AC690V 16A AC-12
AC230V 16A AC-15
50-60HZ
DC60V 5A DC-13
TERMINALS RATED FOR 1-2 CONDUCTORS
#22-10 AWG (0.5-4mm²)



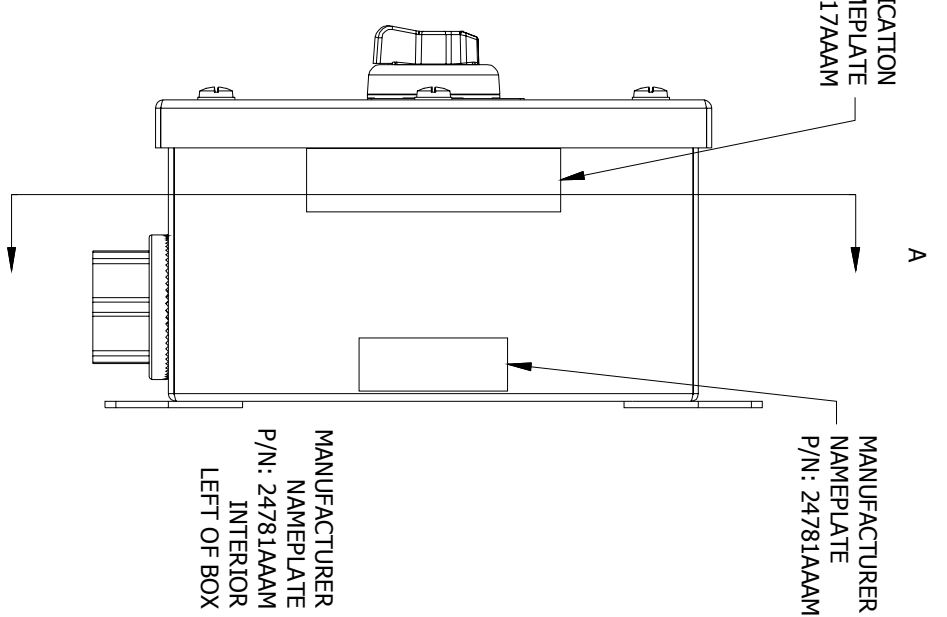
TOP VIEW



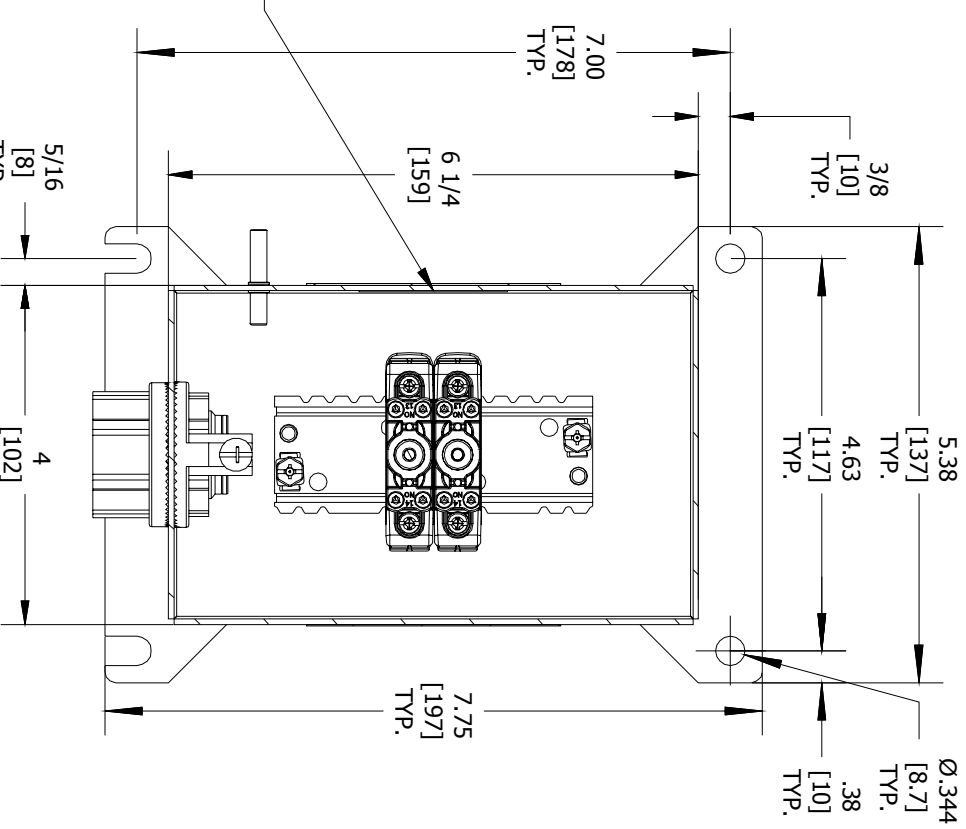
LEFT SIDE VIEW



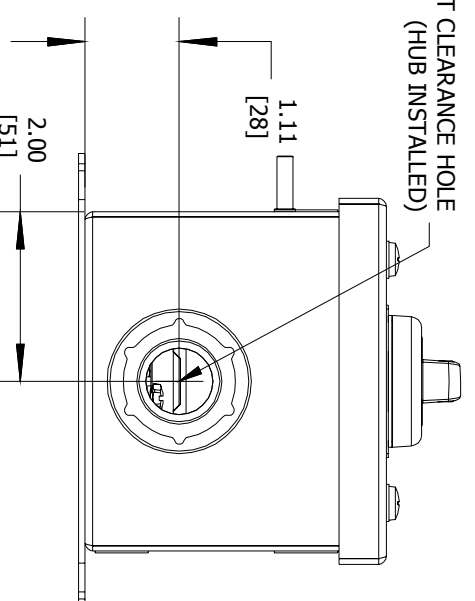
FRONT VIEW



RIGHT SIDE VIEW



SECTION A-A VIEW



BOTTOM VIEW

	CAT. NO. HKHMOD Series	DATE CODE S/N
Harsh & Hazardous www.harshandhazardous.com	INDUSTRIAL CONTROL EQUIPMENT FOR USE IN ZONE CLASSIFIED HAZ. LOCS. CLASS I, ZONE 1, AEX de IIC T6...T4 Gb; Ex de IIC T6...T4 Gb CLASS II, DIV.2, GRPS. A,B,C,D; CLASS II, DIV.1, GRPS. E,F,G (CANADA ONLY) CLASS III, TYPE 3/4/4X/12/13; -50°C ≤T _a ≤+60°C	ST. LOUIS, MO 63113
	SEE IOM FORM K1466 FOR ELECTRICAL RATINGS.	
	TR RU C-US-MIO62B.04167 IEX 16.0079 INVERTRO	
	SEE IOM FORM K1466 FOR ELECTRICAL RATINGS.	
	SEE IOM FORM K1466 FOR ELECTRICAL RATINGS.	

CERTIFICATION NAME PLATES

COMMENT:	SGN:	DATE:	ACCEPTANCE:	DRAWN BY:	DATE:	DWG NUMBER:
			CODE 1: APPROVED (NO COMMENTS)	PR	10/27/2016	HKH1BSD2S349K8
			CODE 2: APPROVED FOR MANUFACTURING WITH COMMENTS TO BE INCORPORATED			
			CODE 3: NOT APPROVED RE-SUBMIT			
			CODE 4: FOR INFORMATION ONLY			

ENTRY HUB/GLAND SELECTION CHART*	
ENTRY NO.	HUB/GLAND:
ENTRY 1	K8: WH-2SSG
*HUBS & CABLE GLANDS ARE SHIPPED WITH ENCLOSURE	

REVISION	REVISION	REVISION	REVISION

HUBBELL
HKH SERIES
CONTROL STATION
CAT. NO. HKH1BSD2S349K8
WWW.HARSHANDHAZARDOUS.COM