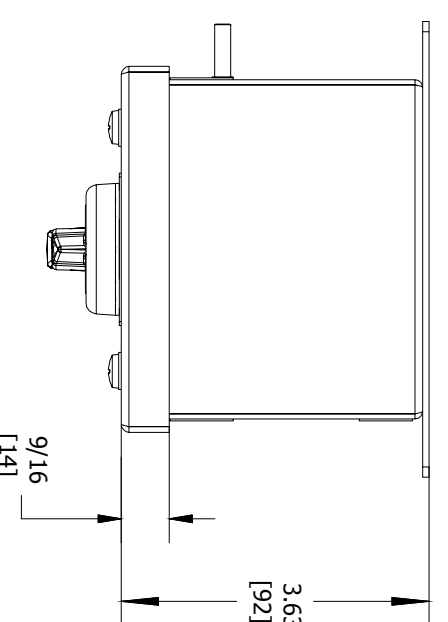


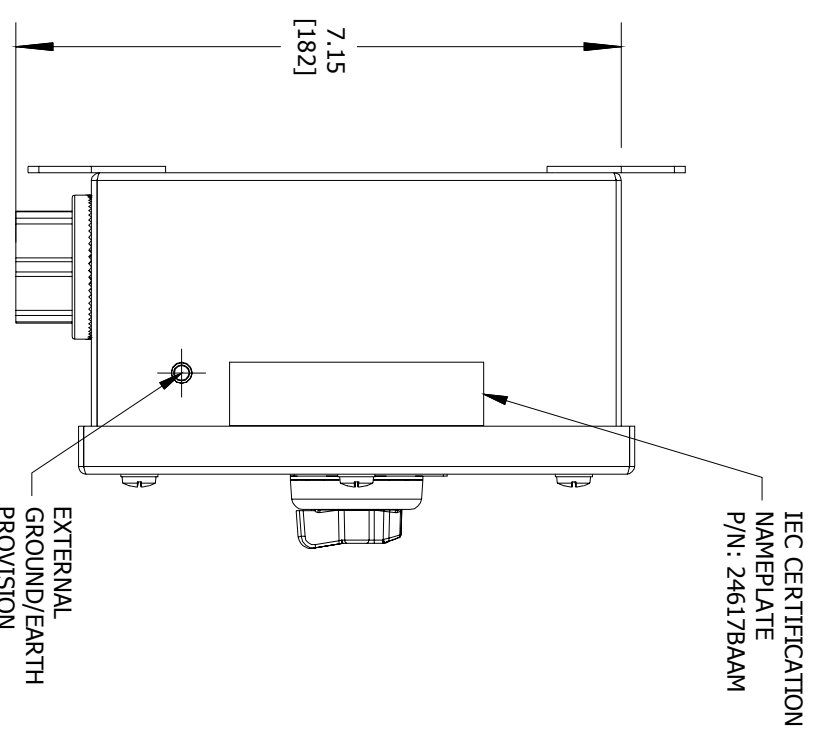
ENCLOSURE INFORMATION	
P/N:	DESCRIPTION:
23831CBAAM	BOX SST IF 1b, 3/4 NPT BOTTOM
23804ABAAB	COVER SST IF 1b, ONE DEVICE
23203BAAB	ASSY, DIN RAIL HKH 2 TIER
MOUNT METHOD:	
DEVICE 1 ASSEMBLY (1F)	
P/N:	DESCRIPTION:
HKH3PSMRY	3 POS SEL SWT MAINT LT/CTR, MOM RT/VERT
23225AAAB	LAM, BLANK
LOCKOUT DEV.:	
N/A	
CONTACT 1:	CONTACT BLOCK, FACT SEALED N.O. DRM, 20A
CONTACT 2:	CONTACT BLOCK, FACT SEALED N.O. DRM, 20A

CONTACT BLOCK RATINGS:
690 VAC, 20A, 50-60
60 VDC, 5A, 110VDC, 1.5A

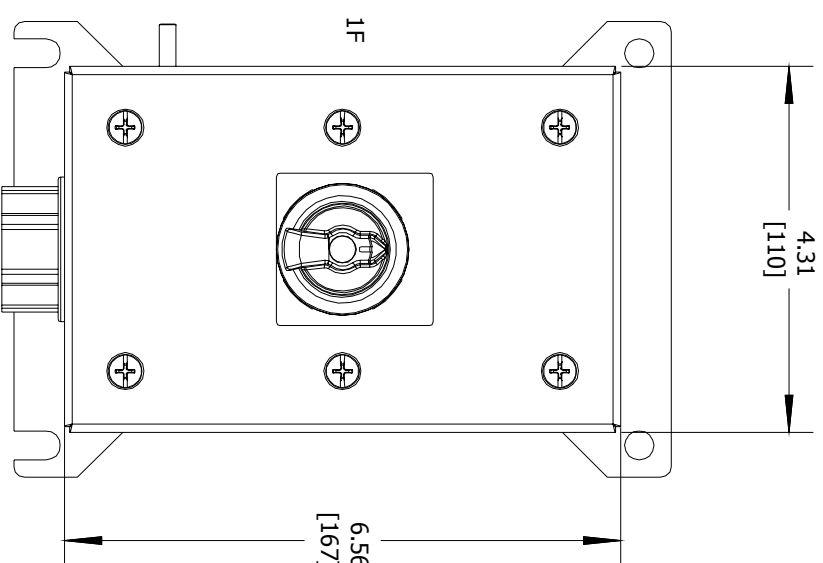
1/2 HP @ 120 VAC, 1 HP @ 208/240/277VAC
NEMA A600/PE00 - PILOT DUTY
350VAC, 20A - TUNGSTEN
AC690V 16A AC-12
AC230V 16A AC-15
50-60HZ
DC60V 5A DC-13
TERMINALS RATED FOR 1-2 CONDUCTORS
#22-10 AWG (0.5-4mm²)



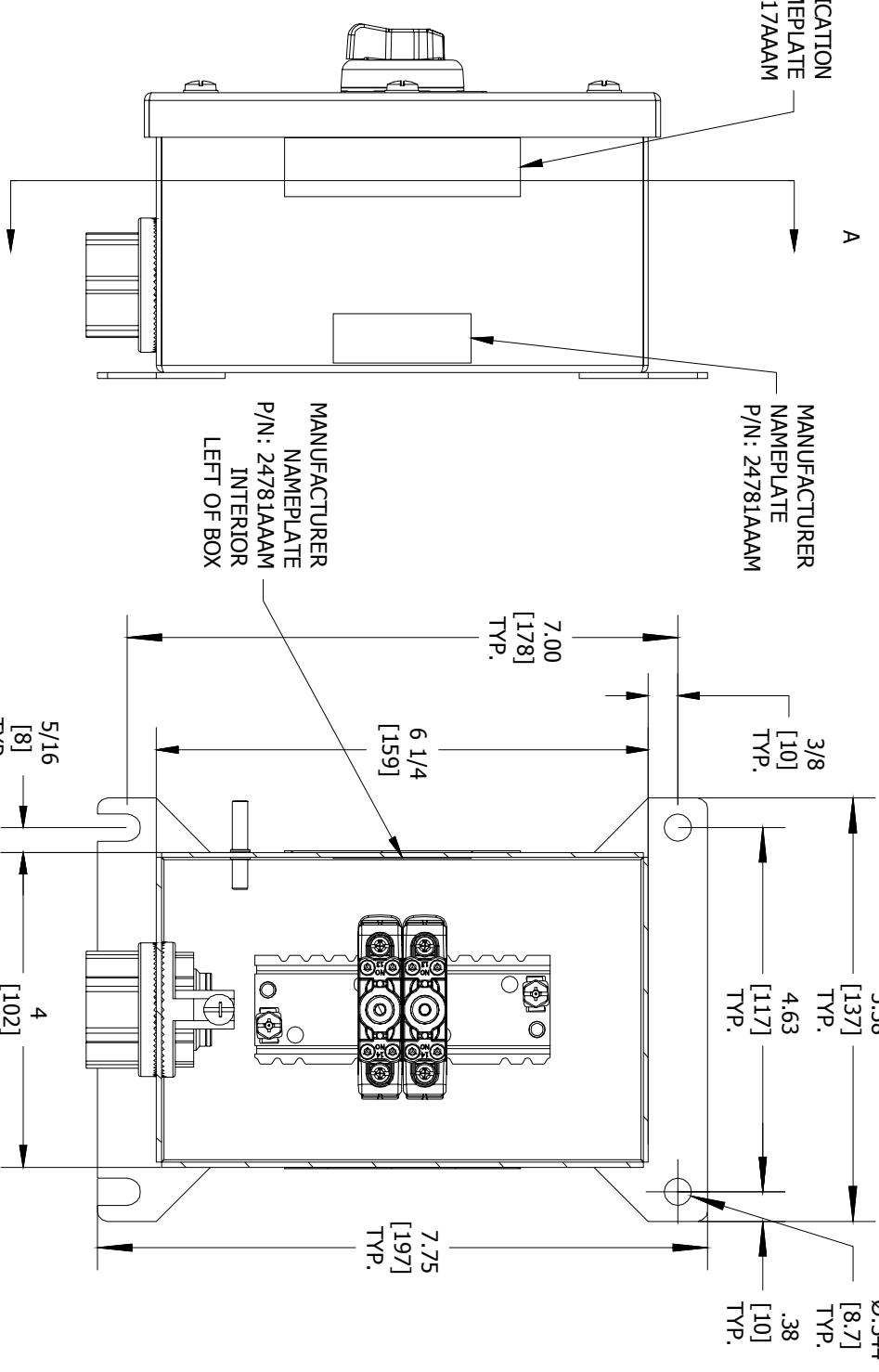
TOP VIEW



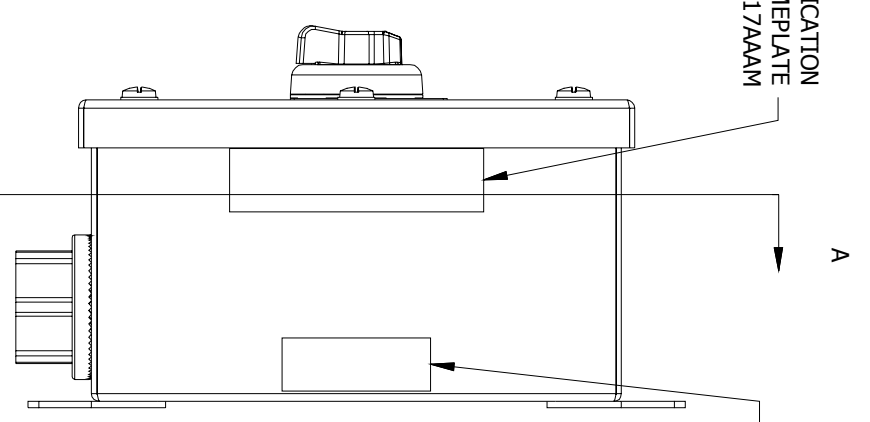
LEFT SIDE VIEW



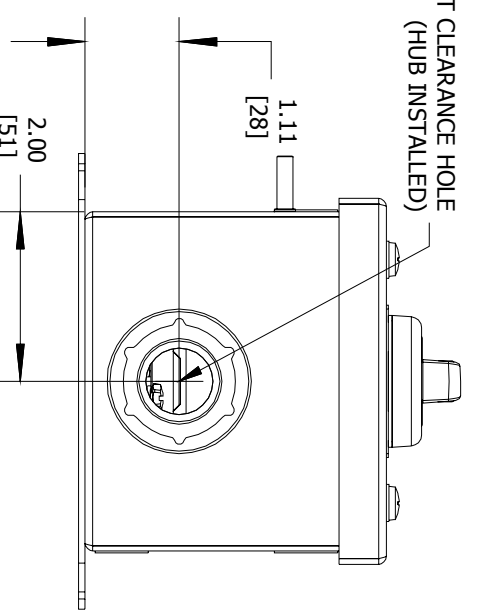
FRONT VIEW



SECTION A-A VIEW



RIGHT SIDE VIEW



BOTTOM VIEW

HUBBELL Harsh & Hazardous www.harshandhazardous.com	CAT. NO. HKHMOD Series DATE CODE S/N
<p>INDUSTRIAL CONTROL EQUIPMENT FOR USE IN ZONE CLASSIFIED HAZ. LOCS. CLASS I, ZONE 1, AEx de IIC T6...T4 Gb; Ex de IIC T6...T4 Gb CLASS II, AEx tb IIC T85°C...T135°C Db IP66; Ex tb IIC T85°C...T135°C Db IP66 CLASS I, DIV.2, GRPs. A,B,C,D; CLASS II, DIV.1, GRPs. E,F,G (CANADA ONLY) CLASS II, DIV.2, GROUPS E,F,G; CLASS III CLASS III: TYPE 3/4/4X/12/13; -50°C ≤T_a≤+60°C</p>	<p>SEE IOM FORM K1466 FOR ELECTRICAL RATINGS. TR RU C-US; MID62.B.04167 IEX 16.0079 INMETRO</p>
<p>0539 I12G Ex de IIC T6...T4 Gb 0539 I12D Ex tb IIC T85°C...T135°C Db IP66 DEMKO 15 ATEX 1405X Ex de IIC T6...T4 Gb; Ex tb IIC T85°C...T135°C Db IP66 IECEx-UL 15.0054X 50°C ≤T_a≤+60°C -40°C ≤T_a≤+55°C WITH AMMETER)</p>	<p>ST. LOUIS, MO 63113 UL LISTED A243</p>

CERTIFICATION NAME PLATES

HUBBELL
HKH SERIES
CONTROL STATION
CAT. NO. HKH1BSD25540K8
 COUNTRY/DATE CODE
 www.harshandhazardous.com

COMMENT:

SGN:

DATE:

ACCEPTANCE:

CODE 1: APPROVED (NO COMMENTS)
 CODE 2: APPROVED FOR MANUFACTURING
 WITH COMMENTS TO BE INCORPORATED
 CODE 3: NOT APPROVED RE-SUBMIT
 CODE 4: FOR INFORMATION ONLY

DRAWN BY:

DATE:

DWG NUMBER:

PR

10/27/2016

SALES/QUOTE NO.:

ITEM:

REVISION



THIS DOCUMENT IS THE PROPERTY OF HUBBELL - KILLARK. IT IS LOANED TO YOU AND MUST NOT BE USED IN ANY WAY DETRIMENTAL TO THE INTEREST HUBBELL - KILLARK.

HKH MODIFIED ENCLOSURE (HKH1BSD25540K8)

SHEET 1 OF 1

ENTRY HUB/GLAND SELECTION CHART*

ENTRY NO.	HUB/GLAND:
ENTRY 1	K8: WH-255G

*HUBS & CABLE GLANDS ARE SHIPPED WITH ENCLOSURE