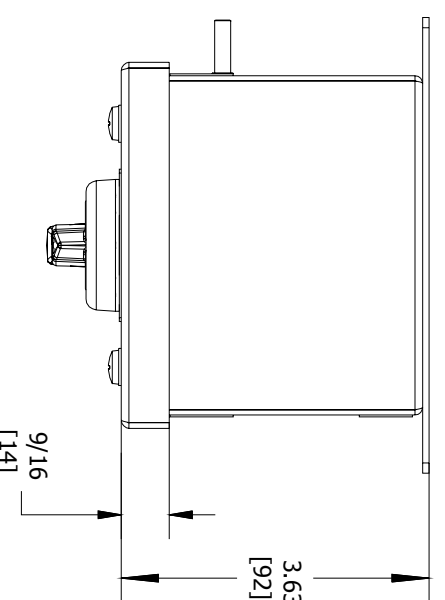
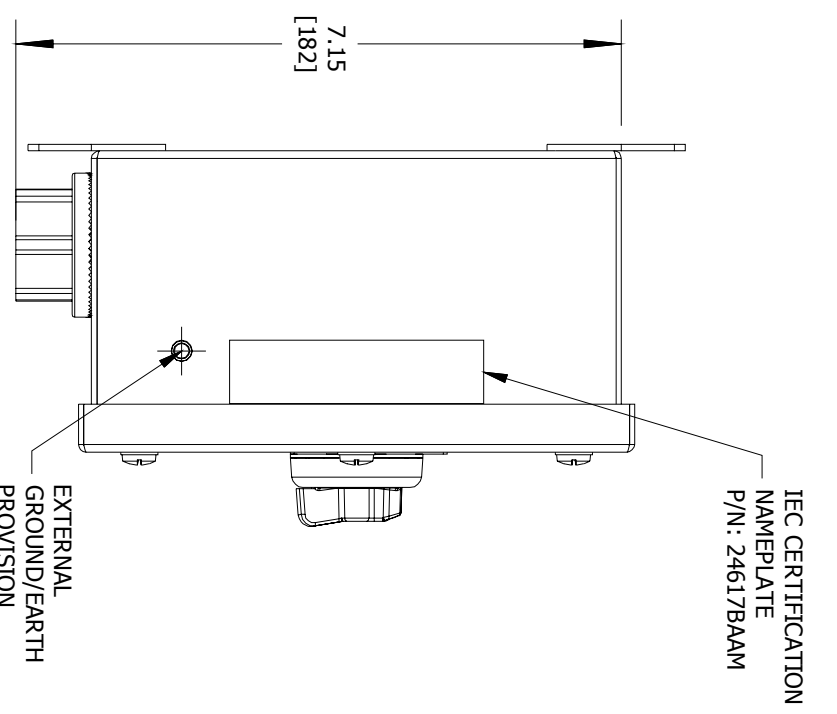


ENCLOSURE INFORMATION	
P/N:	DESCRIPTION:
23831CBAAM	BOX SST IF 1b, 3/4 NPT BOTTOM
COVER:	COVER SST IF 1b, ONE DEVICE
23804ABAAB	ASSY, DIN RAIL HKH 2 TIER
MOUNT METHOD:	
23203BAAB	
	DEVICE 1 ASSEMBLY (1F)
P/N:	DESCRIPTION:
HKH3PSM1LV	3 POS SEL SWT MOM LT, MAINT CTR/RT/VERT
LEGEND PLATE:	LAM, BLANK
LOCKOUT DEV.:	N/A
CONTACT 1:	CONTACT BLCK, FACT SEALED N.O. DRM, 20A
HKH1NO20D	
CONTACT 2:	CONTACT BLCK, FACT SEALED N.O. DRM, 20A
HKH1NO20D	

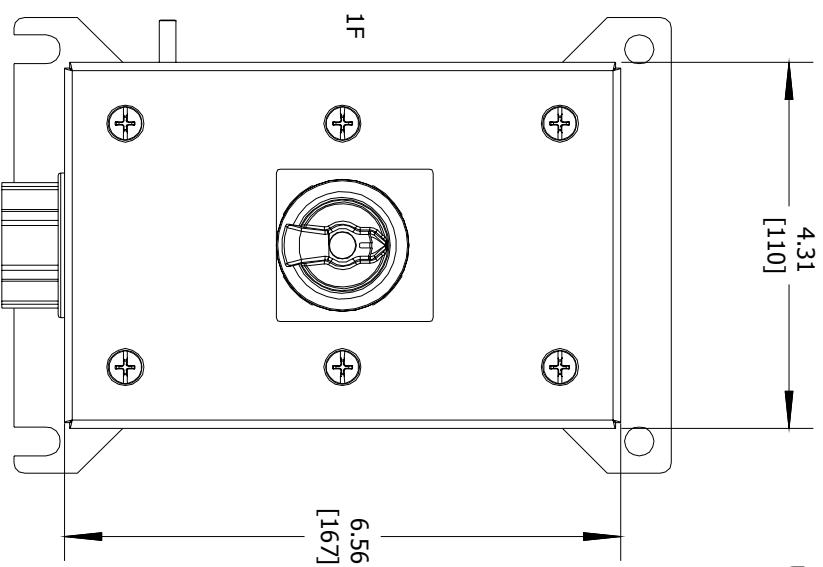
CONTACT BLOCK RATINGS:  
690 VAC, 20A, 50-60  
60 VDC, 5A, 110VDC, 1.5A  
1/2 HP @ 120 VAC, 1 HP @ 208/240/277VAC  
NEMA A600/P600 - PILOT DUTY  
350VAC, 20A - TUNGSTEN  
AC690V, 16A AC-12  
AC230V, 16A AC-15  
50-60HZ  
DC60V, 5A DC-13  
TERMINALS RATED FOR 1-2 CONDUCTORS  
#22-10 AWG (0.5-4mm<sup>2</sup>)



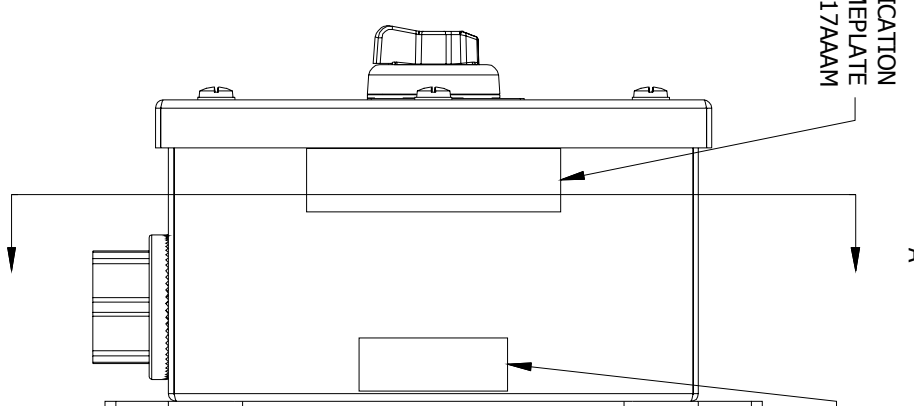
TOP VIEW



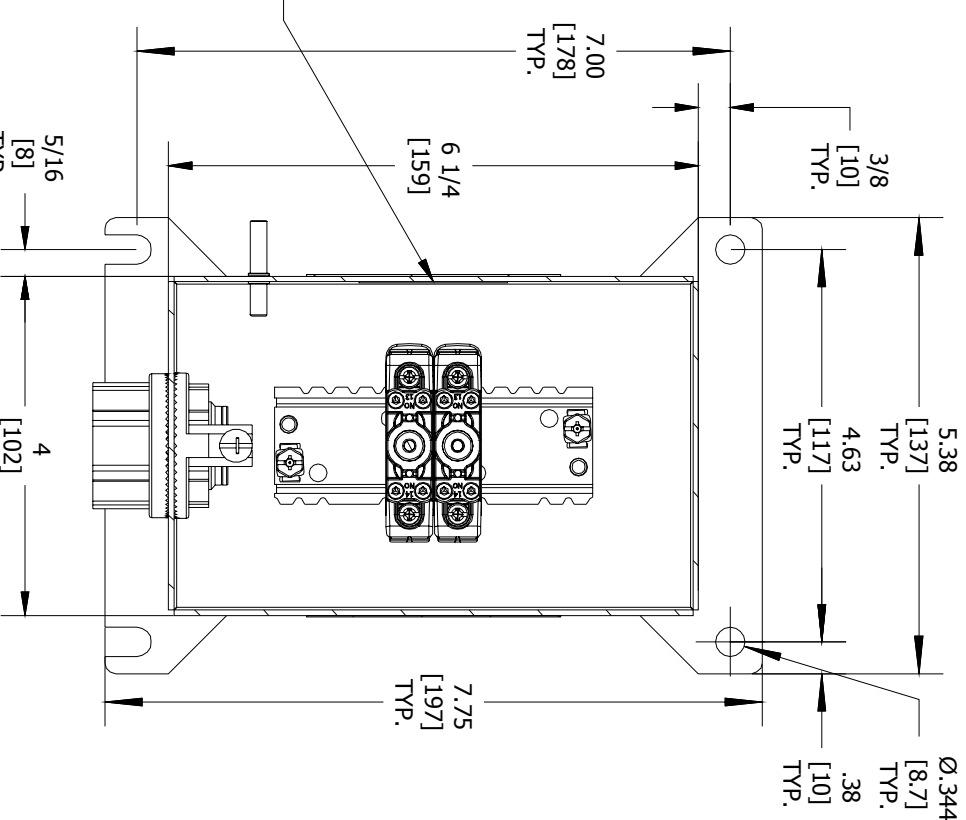
LEFT SIDE VIEW



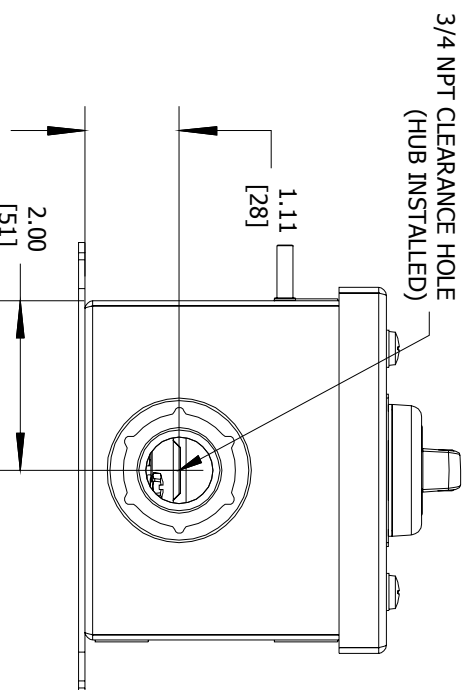
FRONT VIEW



RIGHT SIDE VIEW



SECTION A-A VIEW



BOTTOM VIEW

 <b>HKHMOD Series</b> DATE CODE-S/N ST. LOUIS, MO 63113	CAT. NO. <b>HKHMOD Series</b> DATE CODE-S/N ST. LOUIS, MO 63113	Hash & Hazardous WWW.HARSHANDHAZARDOUS.COM 0539 I12G Ex de IIC T6...T4 Gb 0539 I12D Ex tb IIC T85°C...T135°C Db IP66 DEMKO 15 ATEX 1405X Ex tb IIC T6...T4 Gb Ex tb IIC T85°C...T135°C Db IP66 IECEx UL 15.0055X 50°C STaS+60°C 40°C STaS+55°C WITH AMMETER)	TR RU C-US;M1062;B04167 IEX 16.0079 INMETRO SEE IOM FORM K1466 FOR ELECTRICAL RATINGS.
--	---	---	---

CERTIFICATION NAME PLATES

INDUSTRIAL CONTROL EQUIPMENT FOR USE IN ZONE CLASSIFIED HAZ. LOCs.  
CLASS I, ZONE 1, AEx de IIC T6...T4 Gb; Ex de IIC T6...T4 Gb  
ZONE 21, AEx tb IIC T85°C...T135°C Db IP66; Ex tb IIC T85°C...T135°C Db IP66  
CLASS I, DIV.2, GRPS. A,B,C,D; CLASS II, DIV.1, GRPS. E,F,G (CANADA ONLY)  
CLASS II, DIV.2, GROUPS E,F,G; CLASS III  
CLASS III: TYPE 3/4/4X/12/13; -50°C ≤Tas+60°C

COMMENT:	SGN:	DATE:	ACCEPTANCE:
			CODE 1: APPROVED (NO COMMENTS)
			CODE 2: APPROVED FOR MANUFACTURING
			WITH COMMENTS TO BE INCORPORATED
			CODE 3: NOT APPROVED RE-SUBMIT
			CODE 4: FOR INFORMATION ONLY

DRAWN BY:	DATE:	DWG NUMBER:
PR	10/27/2016	HKH1BSD25640K8
TITLE:	SALES/QUOTE NO.:	ITEM:
HKH MODIFIED ENCLOSURE (HKH1BSD25640K8)	N/A	N/A

ENTRY HUB/GLAND SELECTION CHART*		
ENTRY NO.	HUB/GLAND:	
ENTRY 1	K8: WH-255G	

\*HUBS & CABLE GLANDS ARE SHIPPED WITH ENCLOSURE

**HKH SERIES**  
 CONTROL STATION  
 CAT. NO. **HKH1BSD25640K8**  
 WWW.HARSHANDHAZARDOUS.COM

REVISION	3	DATE:	10/27/2016	BY:	PR
REVISION	2	DATE:	10/27/2016	BY:	PR
REVISION	1	DATE:	10/27/2016	BY:	PR