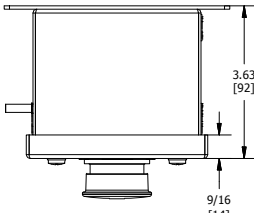


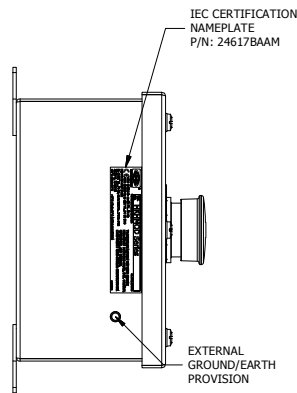
ENCLOSURE INFORMATION		
P/N:	23831KBAM	DESCRIPTION: BOX SST IF 1b, M20 BOTTOM
COVER:	23804ABAB	COVER SST IF 1b, ONE DEVICE
MOUNT METHOD:	23203BAAB	ASSY, DIN RAIL HKH 2 TIER
DEVICE 1 ASSEMBLY (1F)		
P/N:	HKHPBMMMG	DESCRIPTION: MOMENTARY PUSHBUTTON, MUSHROOM HD, GRN
LGND. PLATE:	23225BAAB	START
LOCKOUT ACCY:	NONE	N/A
CONTACT 1:	HKH1NO20D	CONTACT BLK, FACT SEALED N.O. DRM, 20A
CONTACT 2:	HKH1NC20D	CONTACT BLK, FACT SEALED N.C. DRM, 20A

CONTACT BLOCK RATINGS:
 690 VAC, 20A, 50-60
 60 VDC, 5A, 110VDC, 1.5A

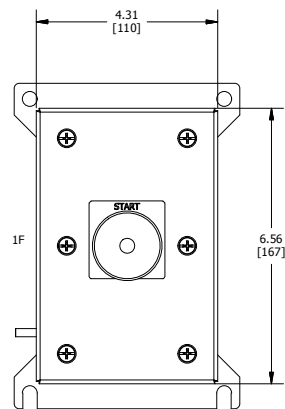
1/2 HP @ 120 VAC, 1 HP @ 208/240/277VAC
 NEMA A600/P600 - PILOT DUTY
 350VAC, 20A - TUNGSTEN
 AC690V 16A AC-12
 AC230V 16A AC-15
 50-60HZ
 DC60V 5A DC-13
 TERMINALS RATED FOR 1-2 CONDUCTORS
 #22-10 AWG. (0.5-4mm²)



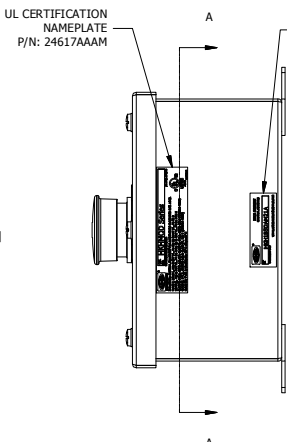
TOP VIEW



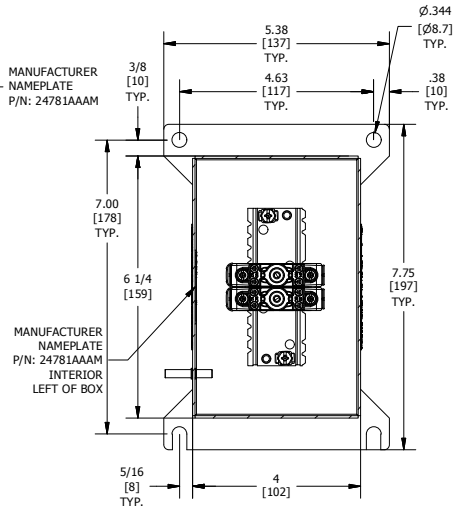
LEFT SIDE VIEW



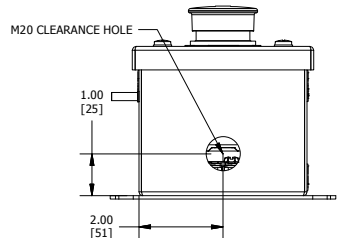
FRONT VIEW



RIGHT SIDE VIEW



SECTION A-A VIEW



BOTTOM VIEW

CAT. NO. HKHMOD Series

Harsh & Hazardous WWW.HARSHANDHAZARDOUS.COM ST. LOUIS, MO 63113

INDUSTRIAL CONTROL EQUIPMENT FOR USE IN ZONE CLASSIFIED HAZ. LOCS.
 CLASS I, ZONE 1, AEx de IIC T6...T4 Gb; Ex de IIC T6...T4 Gb X
 ZONE 21, AEx tb IIC T6...T4 Db IP66; Ex tb IIC T6...T4 Db IP66 X
 CLASS I, DIV.2, GRPS. A,B,C,D; CLASS II, DIV.1, GRPS. E,F,G (CANADA ONLY)
 CLASS II, DIV.2, GROUPS E,F,G; CLASS III, DIV.1 (CANADA ONLY)
 CLASS III; TYPE 3/4/4X/12/13; -50°C ≤Tas+60°C

UL LISTED A243 24617AAAM

CAT. NO. HKHMOD Series

Harsh & Hazardous WWW.HARSHANDHAZARDOUS.COM ST. LOUIS, MO 63113

0539 Ø II2G Ex de IIC T6...T4 Gb TO MAINTAIN RATINGS USE WITH KILLARK
 0539 Ø II2D Ex tb IIC T6...T4 Db IP66 HIGH SERIES MATCHING COVER, BOX, CONTROL
 DEMKO 15 ATEX 1405X OPERATORS, AND INTERNAL
 Ex de IIC T6...T4 Gb; Ex tb IIC T6...T4 Db IP66 COMPONENTS WITH SIMILAR CERTIFICATIONS.
 IECEx UL 15.0054X
 -50°C ≤Tas+60°C (WITH AMMETER) 24617AAAM

CERTIFICATION NAME PLATES

HKH SERIES CONTROL STATIONS

CAT. NO. **HKH1BSDAM21A**

COUNTRY/DATE CODE

WWW.HARSHANDHAZARDOUS.COM

MFG. NAME PLATE (REF.)

ENTRY HUB/GLAND SELECTION CHART*	
ENTRY NO.	HUB/GLAND:
ENTRY 1	NONE

*HUBS & CABLE GLANDS ARE SHIPPED WITH ENCLOSURE (NOT INSTALLED)

THIS IS A COMPUTER GENERATED DRAWING. DO NOT ALTER. CHANGES ALLOWED ONLY TO COMPUTER MODEL.

DO NOT SCALE THIS DRAWING				P/N: HKH1BSDAM21A	
G	N	U		KILLARK DESCRIPTION: HKH COMPLETE CONTROL STATION ENCLOSURE (HKH1BSDAM21A) DR. BY: PR 05/24/2016 REL PROD: CK. BY: KRA 05/24/2016 REL TOOL: SCALE: N/A REL DES: MATERIAL: N/A HKH1BSDAM21A PROJECT NO: SHEET 1 OF 1	
F	M	T			
E	L	S			
D	K	R			
C	J	Q			
B	I	P			
A	ERO-3-049-16	H	O		
LET	CHG. NOT. NO.	LET	CHG. NOT. NO.	LET	CHG. NOT. NO.

THIS DOCUMENT IS THE PROPERTY OF KILLARK. IT IS LOANED TO YOU AND MUST NOT BE USED IN ANY MANNER DETRIMENTAL TO THE INTEREST OF KILLARK.