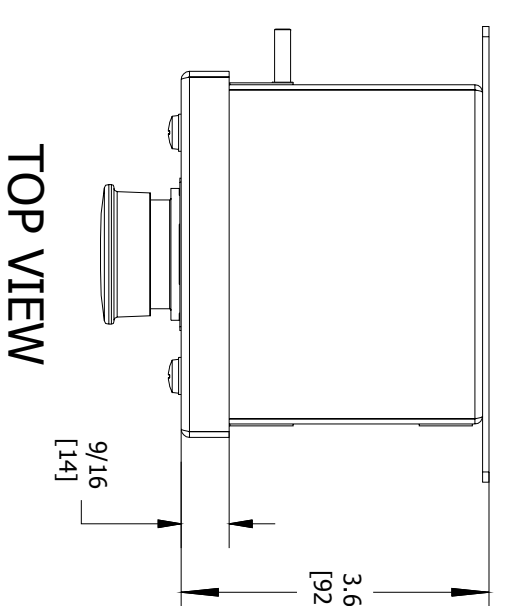
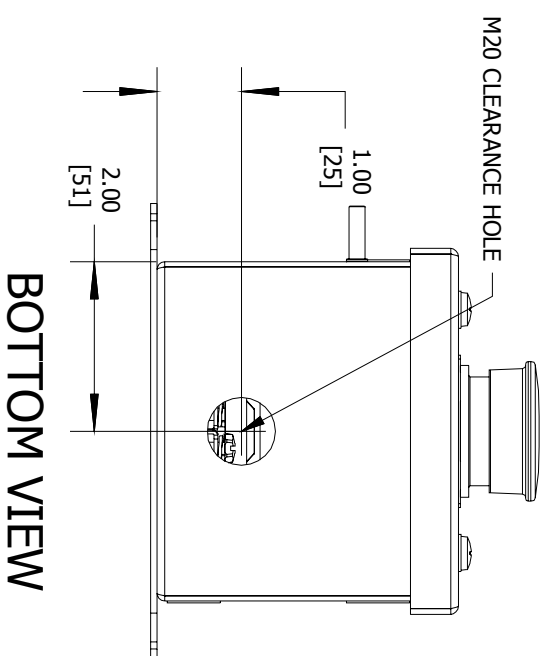
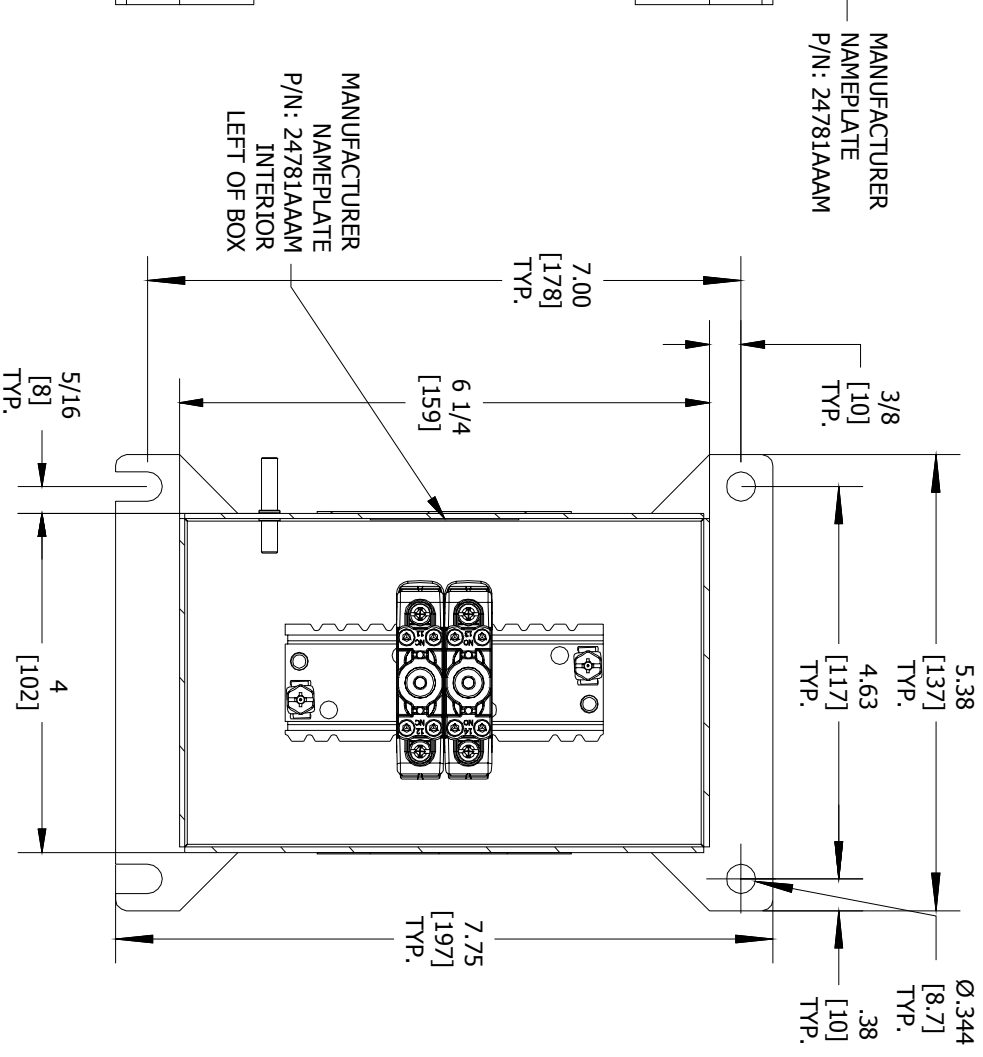
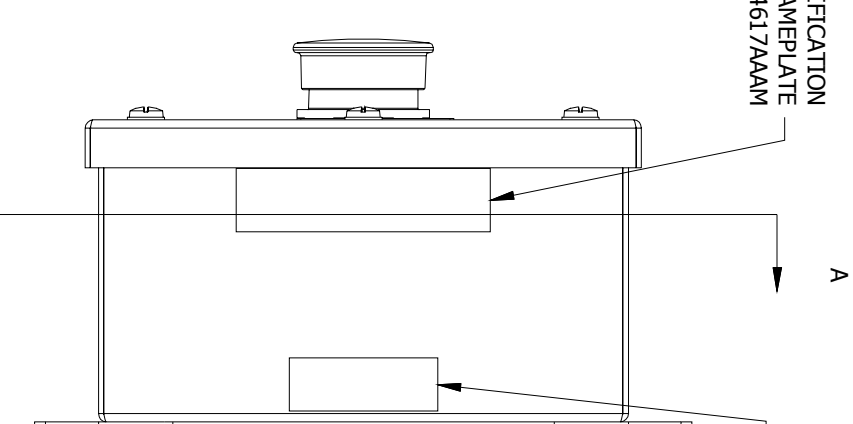
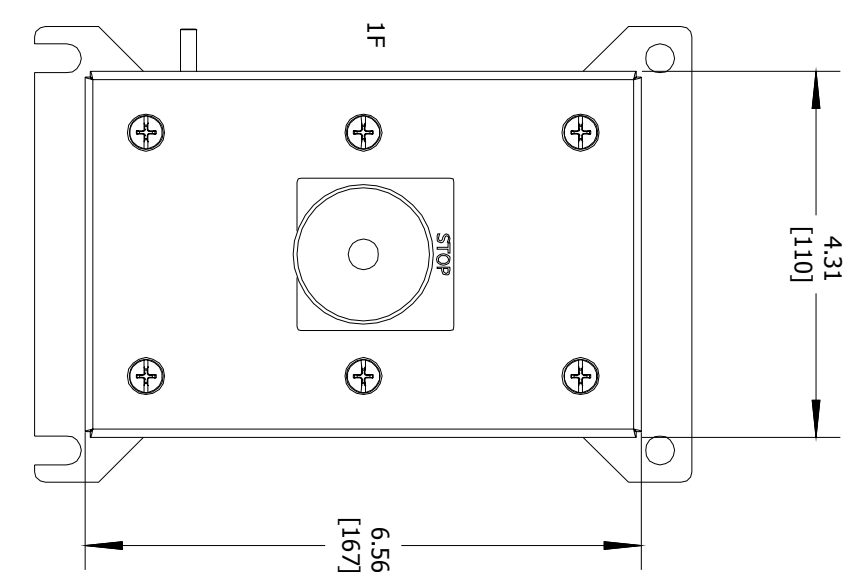
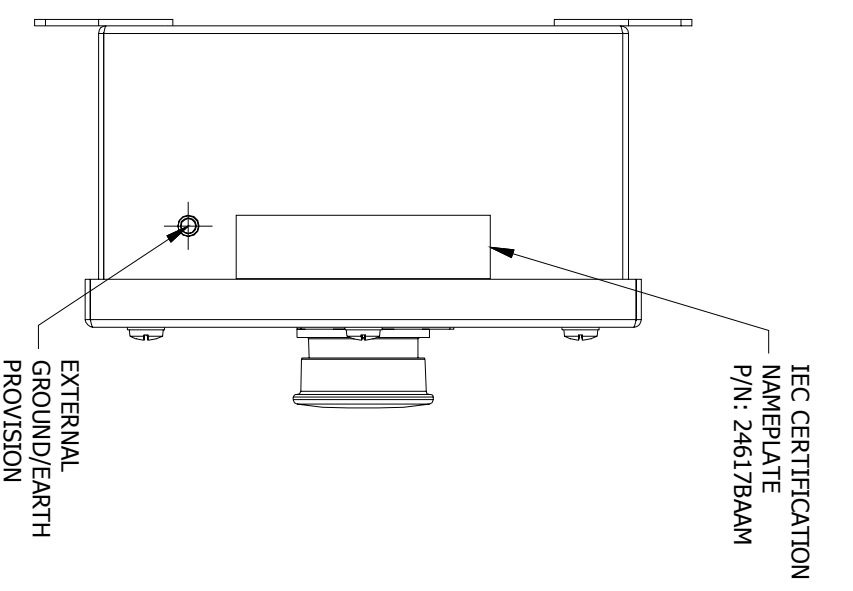


ENCLOSURE INFORMATION	
P/N:	DESCRIPTION:
23831KBAM	BOX SST 1F 1b, M20 BOTTOM
23804ABAB	COVER SST 1F 1b, ONE DEVICE
23203BAAB	ASSY, DIN RAIL HKH 2 TIER
MOUNT METHOD:	
DEVICE 1 ASSEMBLY (1F)	
P/N:	DESCRIPTION:
HKHPBPTMR	MAINTAINED PUSH PULL MUSHROOM HD, RED
2322SCAAB	LAM, STOP
LOCKOUT DEV.:	
NONE	
CONTACT 1:	
HKHINO20D	CONTACT BLCK, FACT SEALED N.O. DRM, 20A
HKHINC20D	CONTACT BLCK, FACT SEALED N.C. DRM, 20A

CONTACT BLOCK RATINGS:
690 VAC, 20A, 50-60
60 VDC, 5A, 110VDC, 1.5A
1/2 HP @ 120 VAC, 1 HP @ 208/240/277VAC
NEMA A600/PE600 - PILOT DUTY
350VAC, 20A - TUNGSTEN
AC690V, 16A AC-12
AC230V, 16A AC-15
50-60HZ
DC60V, 5A DC-13
TERMINALS RATED FOR 1-2 CONDUCTORS
#22-10 AWG (0.5-4mm²)



CAT. NO. HKHMOD Series <small>ST. LOUIS, MO 63113</small>		DATE CODE S/N <small>ST. LOUIS, MO 63113</small>
INDUSTRIAL CONTROL EQUIPMENT FOR USE IN ZONE CLASSIFIED HAZ. LOCS. CLASS I, ZONE 1, AEx de IIC T6...T4 Gb; Ex de IIC T6...T4 Gb ZONE 21, AEx to IIC T85°C...T135°C Db IP66; Ex to IIIC T85°C...T135°C Db IP66 CLASS I, DIV. 2, GRPs. A,B,C,D; CLASS II, DIV. 1, GRPs. E,F,G (CANADA ONLY) CLASS II, DIV. 2, GROUPS E,F,G; CLASS III CLASS III, TYPE 3/4/4X/12/13; -50°C ≤Tas≤+60°C <small>SEE IOM FORM K1466 FOR ELECTRICAL RATINGS.</small>		
CERTIFICATION NAME PLATES 		TR RU C-US, MIO62.B.04167 IEX 16.0079 INMETRO



ENTRY HUB/GLAND SELECTION CHART*	
ENTRY NO.	HUB/GLAND:
ENTRY 1	NONE

*HUBS & CABLE GLANDS ARE SHIPPED WITH ENCLOSURE

COMMENT: SGN: DATE: ACCEPTANCE: DRAWN BY: DATE: DWG NUMBER: ITEM: A

CODE 1: APPROVED (NO COMMENTS)
CODE 2: APPROVED FOR MANUFACTURING WITH COMMENTS TO BE INCORPORATED
CODE 3: NOT APPROVED RE-SUBMIT
CODE 4: FOR INFORMATION ONLY

REVISION: 3

REVISION: 2

REVISION: 1

TITLE: HKH MODIFIED ENCLOSURE (HKH1BSDAM41B)

SHEET 1 OF 1

REVISION: 4

REVISION: 1

SHEET 1 OF 1

HKH SERIES CONTROL STATION <small>WWW.HARSHANDHAZARDOUS.COM</small>	
CAT. NO.	HKH1BSDAM41B
COUNTRY/DATE CODE	

REVISION	DATE	DESCRIPTION
4		
3		
2		
1		

KILLARK <small>THIS DOCUMENT IS THE PROPERTY OF HUBBELL - KILLARK. IT IS LOANED TO YOU AND MUST NOT BE USED IN ANY WAY DETRIMENTAL TO THE INTEREST HUBBELL - KILLARK.</small>	
---	--