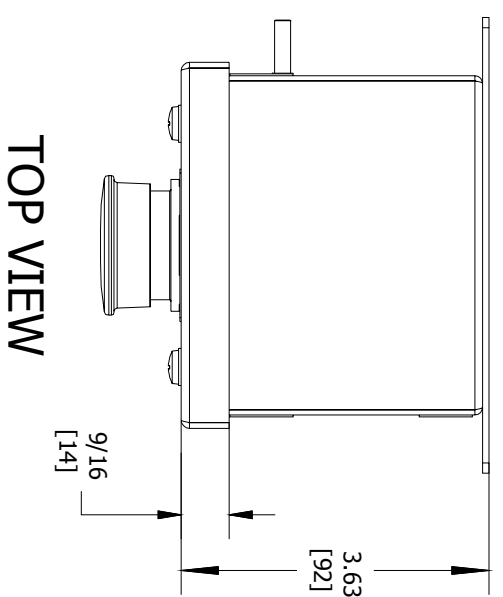


ENCLOSURE INFORMATION	
P/N:	DESCRIPTION:
23831KBAM	BOX SST 1F 1b, M20 BOTTOM
23804ABAB	COVER SST 1F 1b, ONE DEVICE
23203BAAB	ASSY, DIN RAIL HKH 2 TIER
MOUNT METHOD:	
DEVICE 1 ASSEMBLY (1F)	
P/N:	DESCRIPTION:
HKHBPMTNR	MAINTAINED PUSH PULL MUSHROOM HD, RED
23225TAAB	LAM, EMERGENCY STOP
LOCKOUT DEV.:	
NONE	
CONTACT 1:	CONTACT BLOCK, FACT SEALED N.O. DRM, 20A
CONTACT 2:	CONTACT BLOCK, FACT SEALED N.C. DRM, 20A

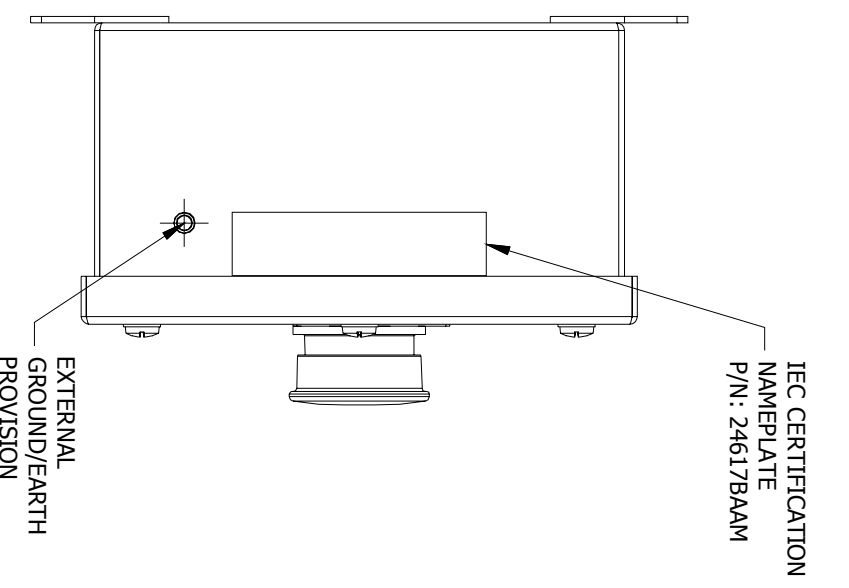
CONTACT BLOCK RATINGS:
690 VAC, 20A, 50-60
60 VDC, 5A, 110VDC, 1.5A
1/2 HP @ 120 VAC, 1 HP @ 208/240/277VAC
NEMA A600/PE600 - PILOT DUTY
350VAC, 20A - TUNGSTEN
AC690V, 16A AC-12
AC230V, 16A AC-15
50-60HZ
DC60V, 5A DC-13
TERMINALS RATED FOR 1-2 CONDUCTORS
#22-10 AWG (0.5-4mm²)



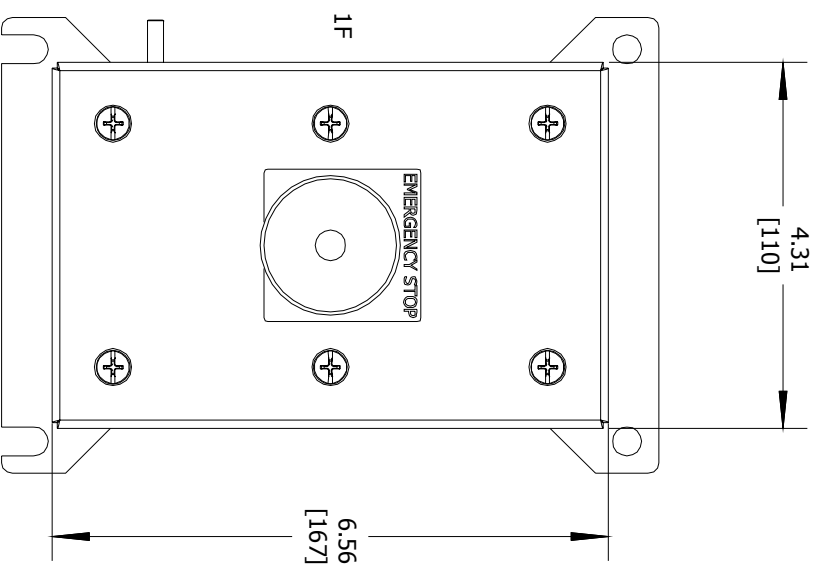
TOP VIEW

		CAT. NO. HKHMOD Series		DATE CODE-S/N
Harsh & Hazardous WWW.HARSHANDHAZARDOUS.COM		HKHMOD Series		ST. LOUIS, MO 63113
0539 I12G Ex de IIC T6...T4 Gb 0539 I12D Ex tb IIC T85°C...T135°C Db IP66 DEMKO 15 ATEX 1405X Ex de IIC T6...T4 Gb Ex tb IIC T85°C...T135°C Db IP66 IECEx UL 15.0054X 50°C ≤Tas+60°C (-40°C ≤Tas+55°C WITH AMMETER)		EX		TR RU C-US;MIO62.B.04167 IEX 16.0079 INMETRO
INDUSTRIAL CONTROL EQUIPMENT FOR USE IN ZONE CLASSIFIED HAZ. LOCs. CLASS I, ZONE 1, AEx de IIC T6...T4 Gb; Ex de IIC T6...T4 Gb ZONE 21, AEx tb IIC T85°C...T135°C Db IP66; Ex tb IIC T85°C...T135°C Db IP66 CLASS I, DIV.2, GRPS. A,B,C,D; CLASS II, DIV.1, GRPS. E,F,G (CANADA ONLY) CLASS III, TYPE 3/4/4X/12/13; -50°C ≤Tas+60°C		SEE IOM FORM K1466 FOR ELECTRICAL RATINGS.		

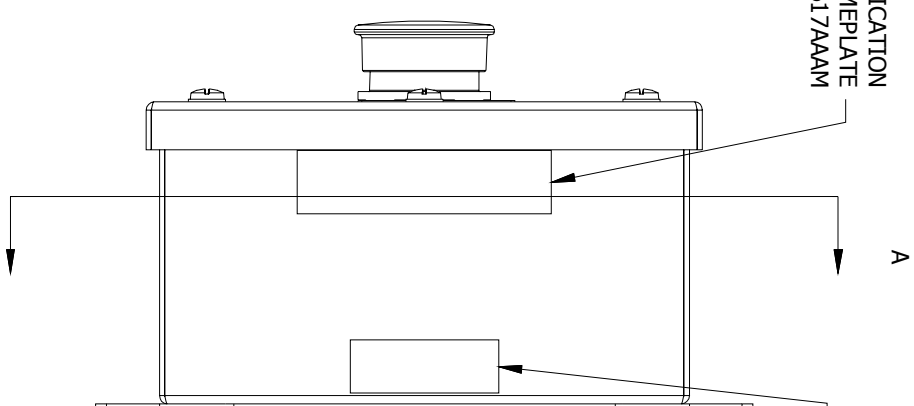
CERTIFICATION NAME PLATES



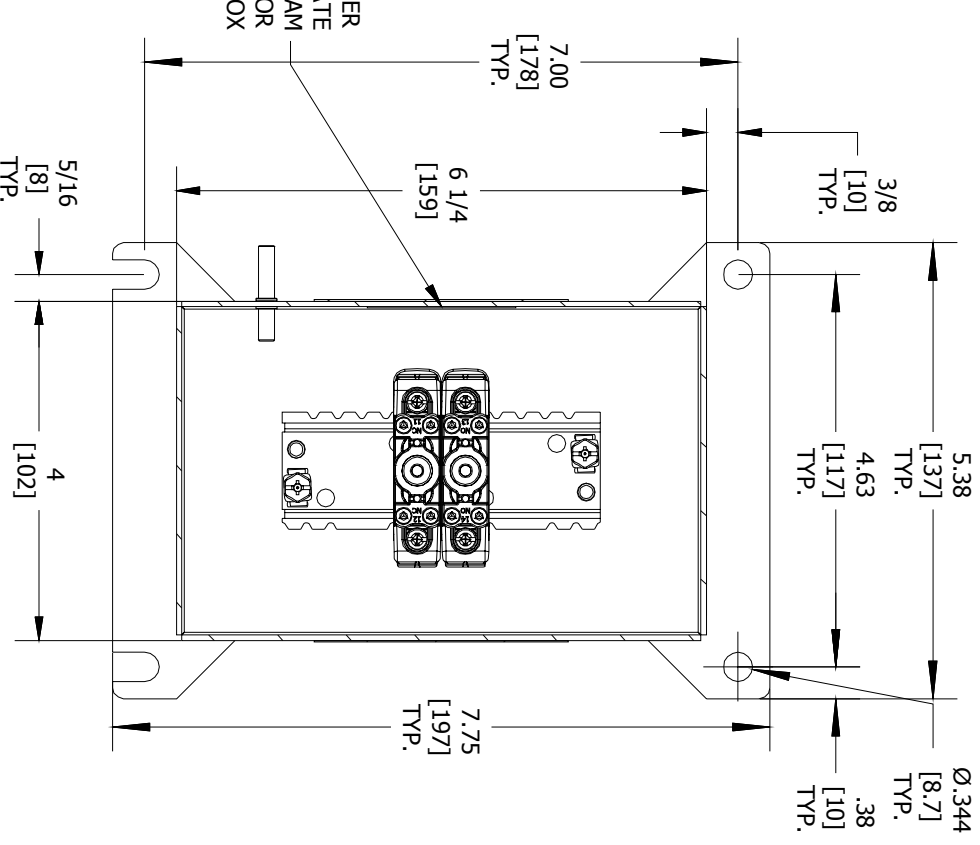
LEFT SIDE VIEW



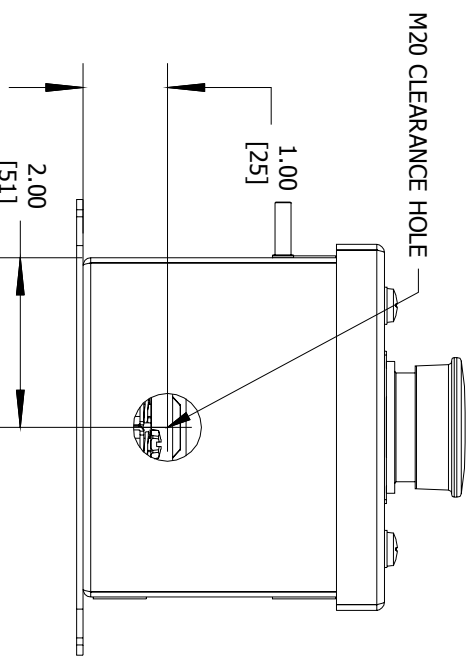
FRONT VIEW



RIGHT SIDE VIEW



SECTION A-A VIEW



BOTTOM VIEW

COMMENT:

SGN:

DATE:

ACCEPTANCE:

DRAWN BY:

DATE:

DWG NUMBER:

ENTRY NO. HUB/GLAND:

A

CODE 1: APPROVED (NO COMMENTS)

CODE 2: APPROVED FOR MANUFACTURING

CODE 3: NOT APPROVED RE-SUBMIT

CODE 4: FOR INFORMATION ONLY

PR

10/21/2016

SALES/QUOTE NO.:

ITEM: N/A

WITH COMMENTS TO BE INCORPORATED

TITLE:

HKH MODIFIED ENCLOSURE

(HKHIBSDAM41E)

SHEET 1 OF 1

1

1

1

A

HKH SERIES CONTROL STATION	
CAT. NO. HKHIBSDAM41E	
COUNTRY/DATE CODE	
WWW.HARSHANDHAZARDOUS.COM	

REVISION



3

THIS DOCUMENT IS THE PROPERTY OF HUBBELL - KILLARK. IT IS LOANED TO YOU AND MUST NOT BE USED IN ANY WAY DETRIMENTAL TO THE INTEREST HUBBELL - KILLARK.

2

2

1

1

A