

4

3

2

1

ENCLOSURE INFORMATION	
P/N:	DESCRIPTION:
23831KBAM	BOX SST 1F 1b, M20 BOTTOM
23804ACAB	COVER SST 1F 1b, TWO DEVICE
23203BAAB	ASSY, DIN RAIL HKH 2 TIER

CONTACT BLOCK RATINGS:
 690 VAC, 20A, 50-60
 60 VDC, 5A, 110VDC, 1.5A

1/2 HP @ 120 VAC, 1 HP @ 208/240/277VAC
 NEMA A600/P600 - PILOT DUTY
 350VAC, 20A - TUNGSTEN
 AC690V 16A AC-12
 AC230V 16A AC-15
 50-60HZ

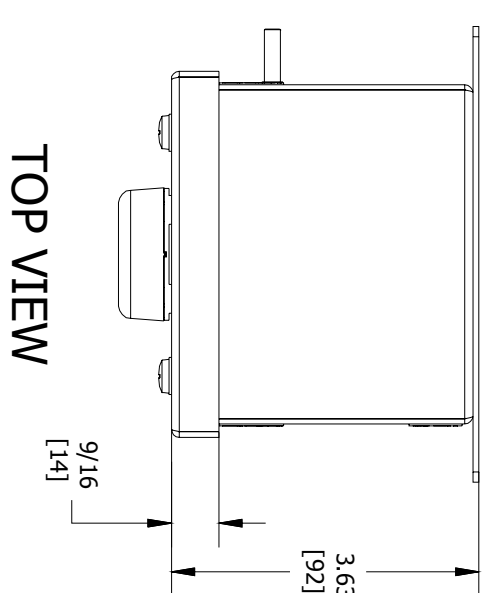
DC60V 5A DC-13
 TERMINALS RATED FOR 1-2 CONDUCTORS
 #22-10 AWG. (0.5-4mm²)

DEVICE 1 ASSEMBLY (1F)	
P/N:	DESCRIPTION:
HKHBMMS	PUSH BUTTON, MOM., START,(I),STOP(O),BLK
LGND. PLATE:	N/A
LOCKOUT ACY:	N/A
CONTACT 1:	CONTACT BLK, FACT SEALED N.O. DRM, 20A
CONTACT 2:	CONTACT BLK, FACT SEALED N.C. DRM, 20A

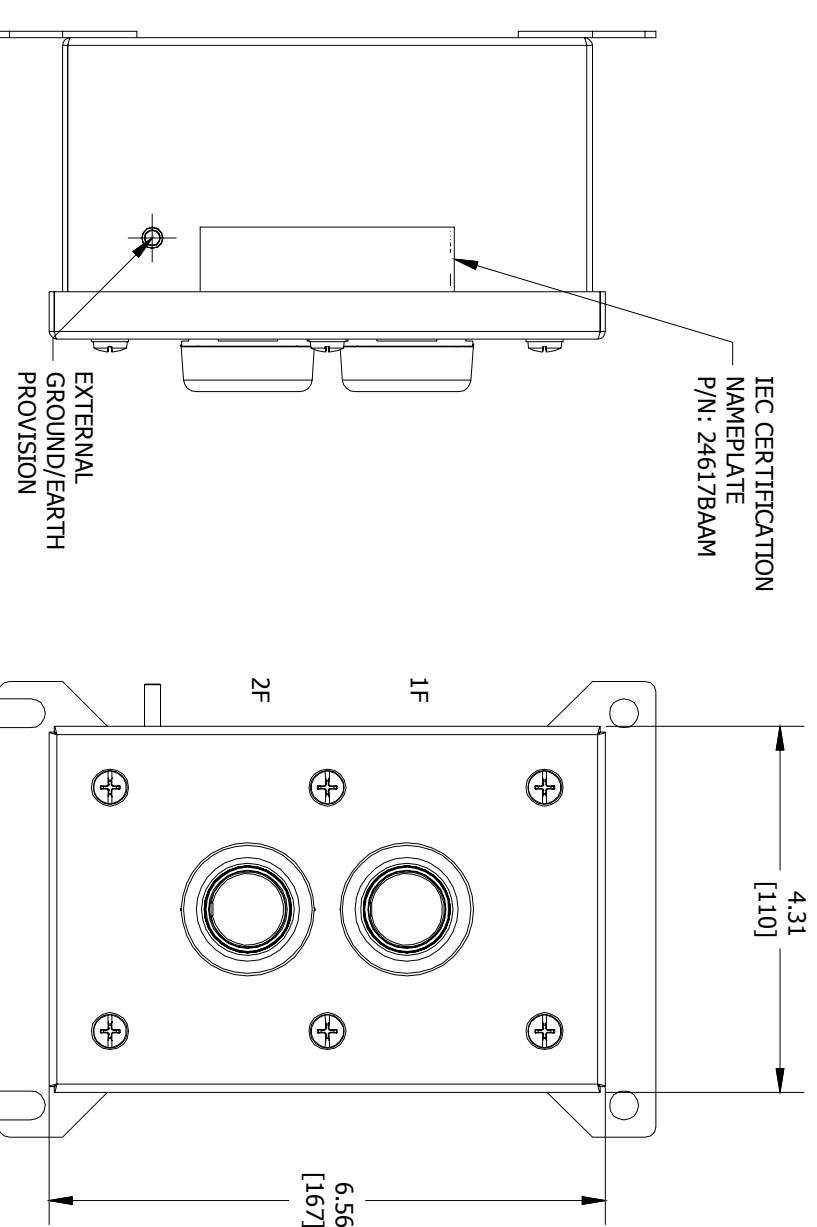
DEVICE 2 ASSEMBLY (2F)	
P/N:	DESCRIPTION:
HKHBMMS	PUSH BUTTON, MOM., START,(I),STOP(O),BLK
LGND. PLATE:	N/A
LOCKOUT ACY:	N/A
CONTACT 1:	CONTACT BLK, FACT SEALED N.O. DRM, 20A
CONTACT 2:	CONTACT BLK, FACT SEALED N.C. DRM, 20A

DEVI	P/N:	DESCRIPTION:
CE:	HKHBMMS	PUSH BUTTON, MOM., START,(I),STOP(O),BLK
ND. PLATE:	NONE	N/A
LOCKOUT ACY:	NONE	N/A
CONTACT 1:	HKHNO20D	CONTACT BLK, FACT SEALED N.O. DRM, 20A
CONTACT 2:	HKHNC20D	CONTACT BLK, FACT SEALED N.C. DRM, 20A

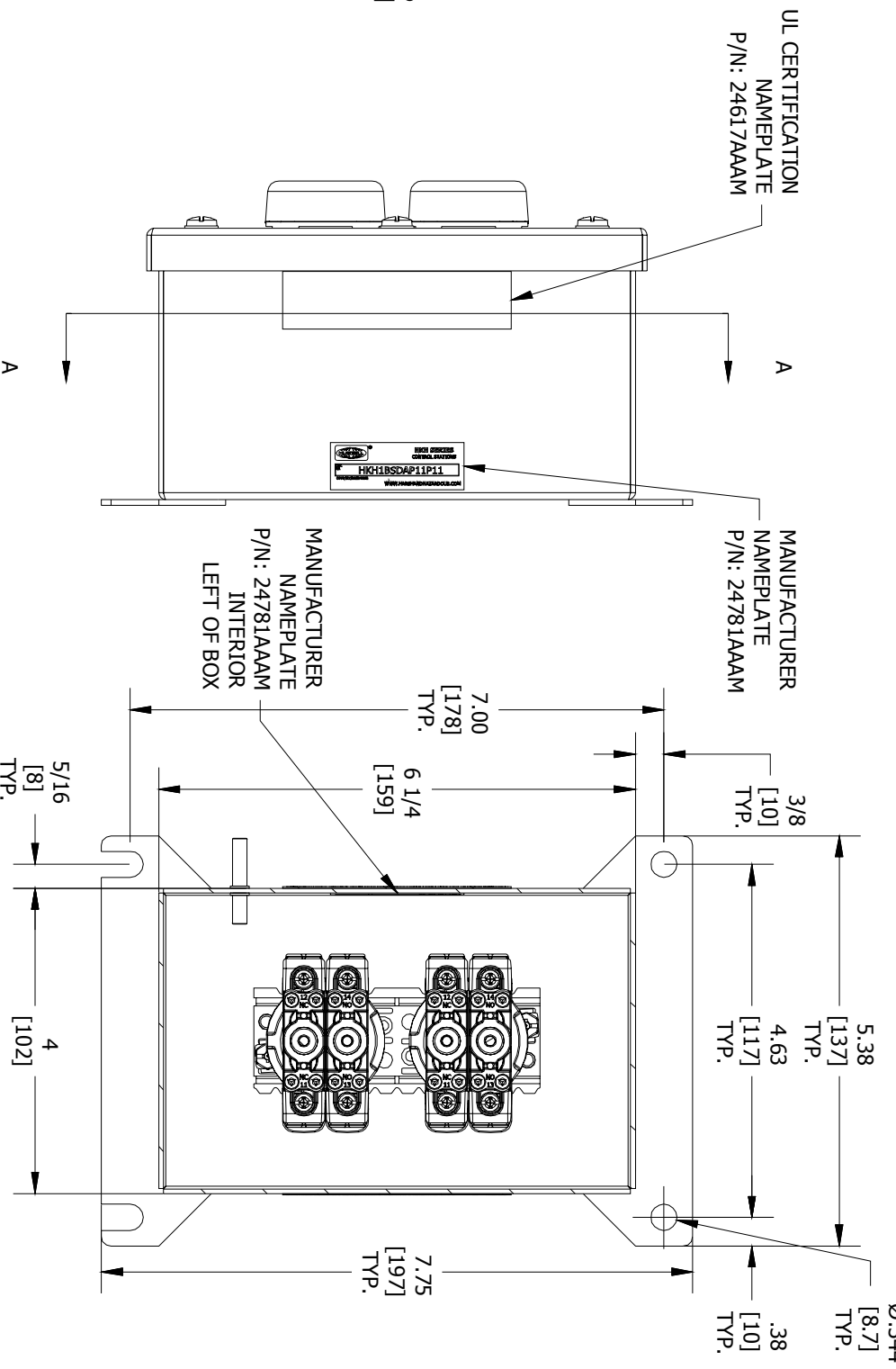
- *SUPPLIED WITH 7 COLORED INSERTS:
1. "STOP" (RED)
 2. "START" (GREEN)
 3. "I" (GREEN)
 4. "O" (RED)
 5. BLANK (BLACK)
 6. BLANK (GREEN)
 7. BLANK (RED)



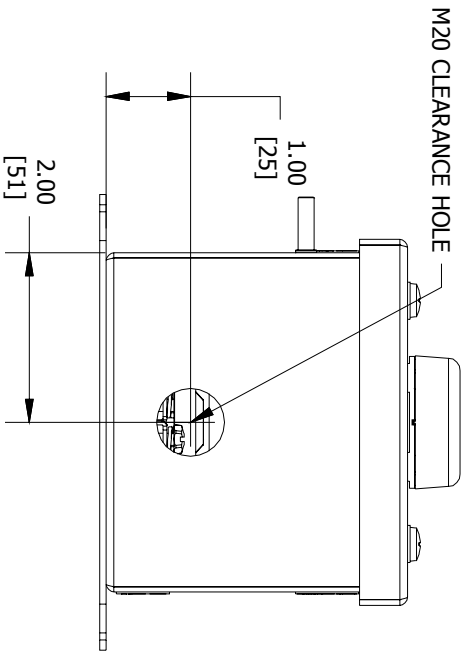
TOP VIEW



FRONT VIEW



SECTION A-A VIEW



BOTTOM VIEW

LEFT SIDE VIEW

RIGHT SIDE VIEW

 Harsit & Hazardous WWW.HARSHANDHAZARDOUS.COM	CAT. NO. HKHMOD Series DATE CODE: S/N
	ST. LOUIS, MO 63113 SEE IOM FORM K1466 & K1470 FOR T-CODES AND FOR ELECTRICAL RATINGS.
INDUSTRIAL CONTROL EQUIPMENT FOR USE IN ZONE CLASSIFIED HAZ. LOCs. CLASS I, ZONE 1, AEx de IIC T6...T4 Gb; Ex de IIC T6...T4 Gb ZONE 21, AEx tb IIIC T85°C...T135°C Db IP66; Ex tb IIIC T85°C...T135°C Db IP66 CLASS I, DIV 2, GRPS. A,B,C,D; CLASS II, DIV.1, GRPS. E,F,G (CANADA ONLY) CLASS II, DIV.2, GROUPS E,F,G; CLASS III CLASS III; TYPE 3/4/4X/12/13; -50°C STaS+60°C	TR RU C-US; MIO62, B 04167 IEX 16,0079 INMETERO (-40°C STaS+55°C WITH AMMETER)
CAT. NO. HKHMOD Series WWW.HARSHANDHAZARDOUS.COM DATE CODE: S/N	ST. LOUIS, MO 63113 SEE IOM FORM K1466 FOR ELECTRICAL RATINGS.

CERTIFICATION NAME PLATES

COMMENT:	SGN:	DATE:	ACCEPTANCE:	DRAWN BY:	DATE:	DWG NUMBER:	ITEM:
			CODE 1: APPROVED (NO COMMENTS)	PR	10/13/2016	HKH1BSDAP11P11	N/A
			CODE 2: APPROVED FOR MANUFACTURING WITH COMMENTS TO BE INCORPORATED				
			CODE 3: NOT APPROVED RE-SUBMIT				
			CODE 4: FOR INFORMATION ONLY				

REVISION	REVISION	REVISION

A

A

HKH SERIES
CONTROL STATIONS

CONTROL NO. **HKH1BSDAP11P11**

COUNTY/DATE CODE

WWW.HARSHANDHAZARDOUS.COM

MFG. NAME PLATE (REF.)

4

3

2

1

ENTRY HUB/GLAND SELECTION CHART*

ENTRY NO.	HUB/GLAND:
ENTRY 1	NONE

*HUBS & CABLE GLANDS ARE SHIPPED WITH ENCLOSURE

REVISION **KILLARK** THIS DOCUMENT IS THE PROPERTY OF HUBBELL - KILLARK. IT IS LOANED TO YOU AND MUST NOT BE USED IN ANY WAY DETRIMENTAL TO THE INTEREST OF HUBBELL - KILLARK.

REVISION **KILLARK** THIS DOCUMENT IS THE PROPERTY OF HUBBELL - KILLARK. IT IS LOANED TO YOU AND MUST NOT BE USED IN ANY WAY DETRIMENTAL TO THE INTEREST OF HUBBELL - KILLARK.

REVISION **KILLARK** THIS DOCUMENT IS THE PROPERTY OF HUBBELL - KILLARK. IT IS LOANED TO YOU AND MUST NOT BE USED IN ANY WAY DETRIMENTAL TO THE INTEREST OF HUBBELL - KILLARK.

A

A

SHEET 1 OF 1