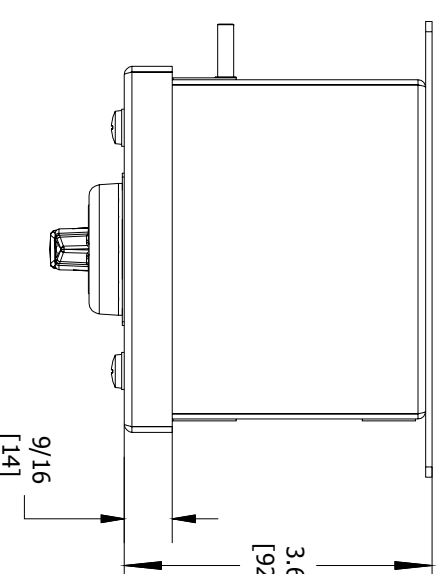


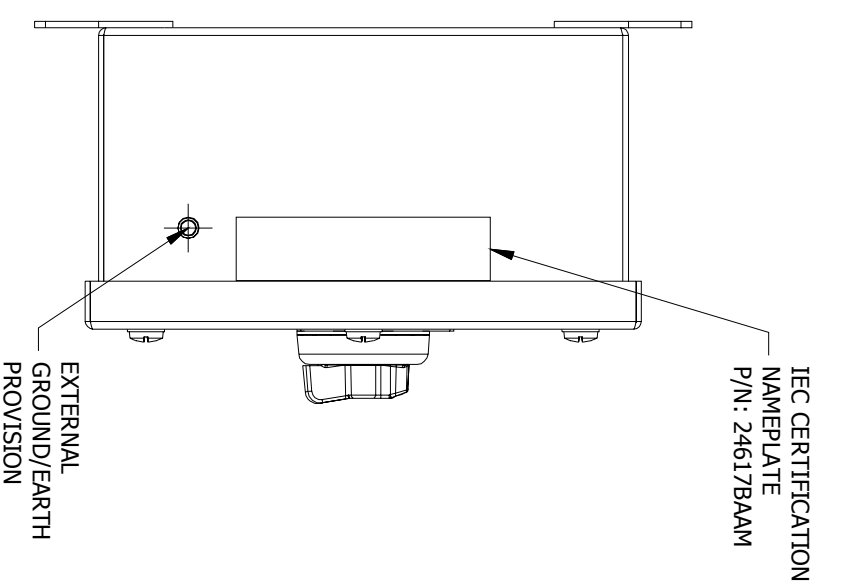
ENCLOSURE INFORMATION	
P/N:	DESCRIPTION:
23831KBAM	BOX SST 1F 1b, M20 BOTTOM
23804BAB	COVER SST 1F 1b, ONE DEVICE
23203BAAB	ASSY, DIN RAIL HKH 2 TIER
MOUNT METHOD:	
DEVICE 1 ASSEMBLY (1F)	
P/N:	DESCRIPTION:
HKH3P5M1LRV	3 POS SEL SWT MOM LT/RT, MAINT CTR, VERT
23225AAB	LAM, BLANK
LOCKOUT DEV.:	N/A
CONTACT 1:	CONTACT BLCK, FACT SEALED N.O. DRM, 20A
CONTACT 2:	CONTACT BLCK, FACT SEALED N.O. DRM, 20A

CONTACT BLOCK RATINGS:
690 VAC, 20A, 50-60
60 VDC, 5A, 110VDC, 1.5A

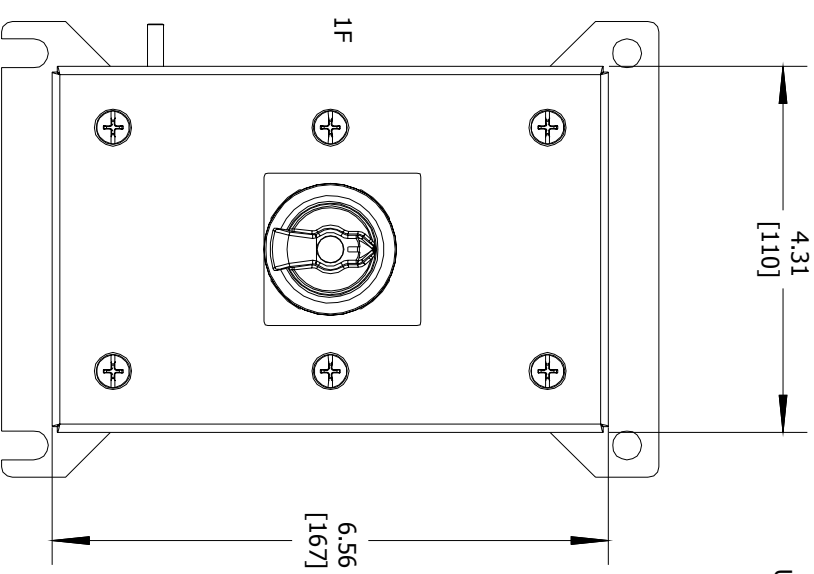
1/2 HP @ 120 VAC, 1 HP @ 208/240/277VAC
NEMA A600/P600 - PILOT DUTY
350VAC, 20A - TUNGSTEN
AC690V, 16A AC-12
AC230V, 16A AC-15
50-60HZ
DC60V, 5A DC-13
TERMINALS RATED FOR 1-2 CONDUCTORS
#22-10 AWG (0.5-4mm²)



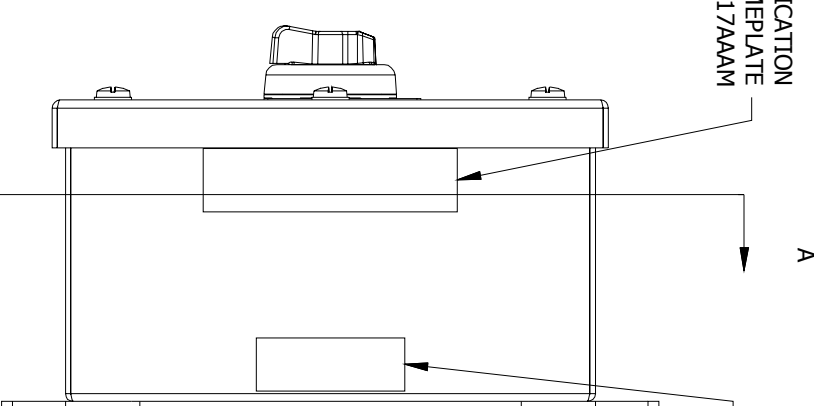
TOP VIEW



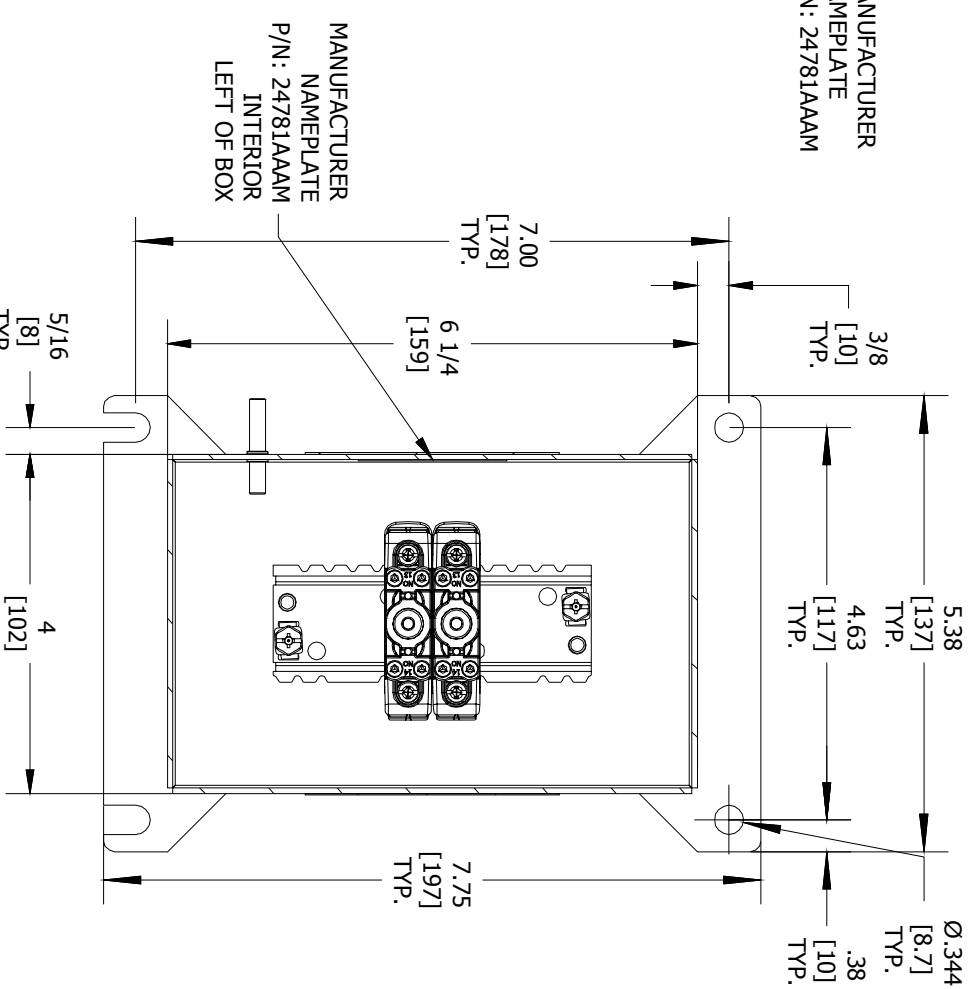
LEFT SIDE VIEW



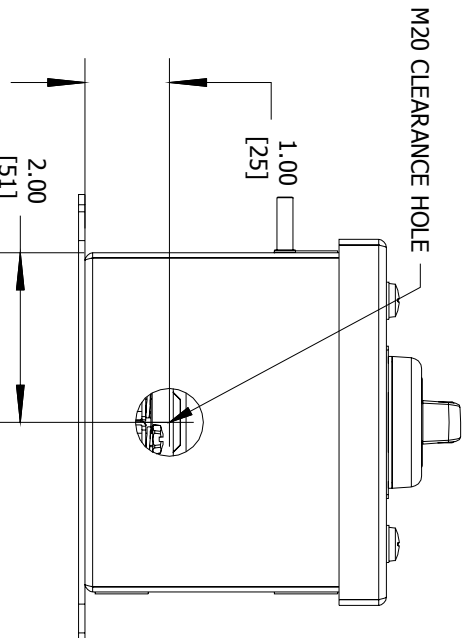
FRONT VIEW



RIGHT SIDE VIEW



SECTION A-A VIEW



BOTTOM VIEW

HUBBELL
HKH SERIES
CONTROL STATION
CAT. NO. **HKH1BSDAS440**
COUNTRY/DATE CODE
WWW.HARSHANDHAZARDOUS.COM

HUBBELL
Harsh & Hazardous
CAT. NO. **HKHMOD Series**
WWW.HARSHANDHAZARDOUS.COM
DATE CODE-S/N
ST. LOUIS, MO 63113

INDUSTRIAL CONTROL EQUIPMENT FOR USE IN ZONE CLASSIFIED HAZ. LOCS.
CLASS I, ZONE 1, AEx de IIC T6...T4 Gp; Ex de IIC T6...T4 Gp
CLASS II, DIV.2, GRPS. A,B,C,D; CLASS III
CLASS III, TYPE 3/4/4X/12/13; -50°C ≤ T_{as}+60°C

0539 IIC T6...T4 Gp
0539 IIC T6...T4 Gp
DEMKO 15 ATEX 140SX
Ex de IIC T6...T4 Gp
Ex de IIC T85°C...T135°C Db IP66
TECEX UL 15,005X
50°C STas+60°C
140°C STas+55°C WITH AMMETER)

TR RU C-US; M1062.B; 04167 IEX 16.0079 INMETRO
SEE IOM FORM K1466 FOR ELECTRICAL RATINGS.

EX
IIC
IP66
ATEX
UL

ST. LOUIS, MO 63113
DATE CODE-S/N

HUBBELL
Harsh & Hazardous
CAT. NO. **HKHMOD Series**
WWW.HARSHANDHAZARDOUS.COM
DATE CODE-S/N
ST. LOUIS, MO 63113

INDUSTRIAL CONTROL EQUIPMENT FOR USE IN ZONE CLASSIFIED HAZ. LOCS.
CLASS I, ZONE 1, AEx de IIC T6...T4 Gp; Ex de IIC T6...T4 Gp
CLASS II, DIV.2, GRPS. A,B,C,D; CLASS III
CLASS III, TYPE 3/4/4X/12/13; -50°C ≤ T_{as}+60°C

0539 IIC T6...T4 Gp
0539 IIC T6...T4 Gp
DEMKO 15 ATEX 140SX
Ex de IIC T6...T4 Gp
Ex de IIC T85°C...T135°C Db IP66
TECEX UL 15,005X
50°C STas+60°C
140°C STas+55°C WITH AMMETER)

TR RU C-US; M1062.B; 04167 IEX 16.0079 INMETRO
SEE IOM FORM K1466 FOR ELECTRICAL RATINGS.

EX
IIC
IP66
ATEX
UL

ST. LOUIS, MO 63113
DATE CODE-S/N

CERTIFICATION NAME PLATES

COMMENT:	SGN:	DATE:	ACCEPTANCE:	DRAWN BY:	DATE:	DWG NUMBER:	ENTRY NO.	HUB/GLAND:	ENTRY 1	ITEM:
			CODE 1: APPROVED (NO COMMENTS)		10/27/2016	HKH1BSDAS440			NONE	N/A
			CODE 2: APPROVED FOR MANUFACTURING WITH COMMENTS TO BE INCORPORATED							
			CODE 3: NOT APPROVED RE-SUBMIT							
			CODE 4: FOR INFORMATION ONLY							

ENTRY HUB/GLAND SELECTION CHART*

ENTRY NO.	HUB/GLAND:
ENTRY 1	NONE

*HUBS & CABLE GLANDS ARE SHIPPED WITH ENCLOSURE

REVISION	DESCRIPTION	DATE	BY	APP'D	ITEM
A	REVISION				N/A



A

B

C

D

A

B

C

D