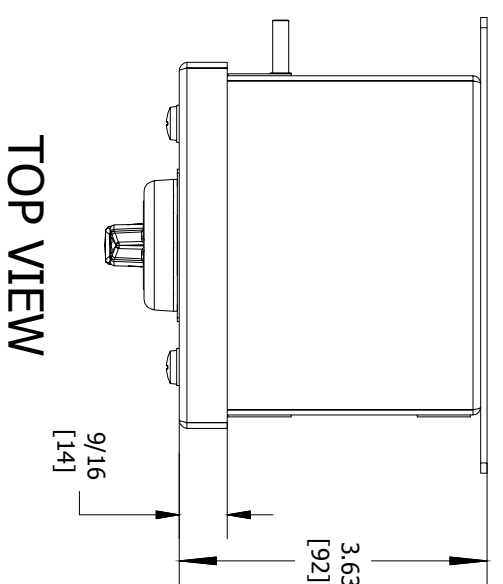
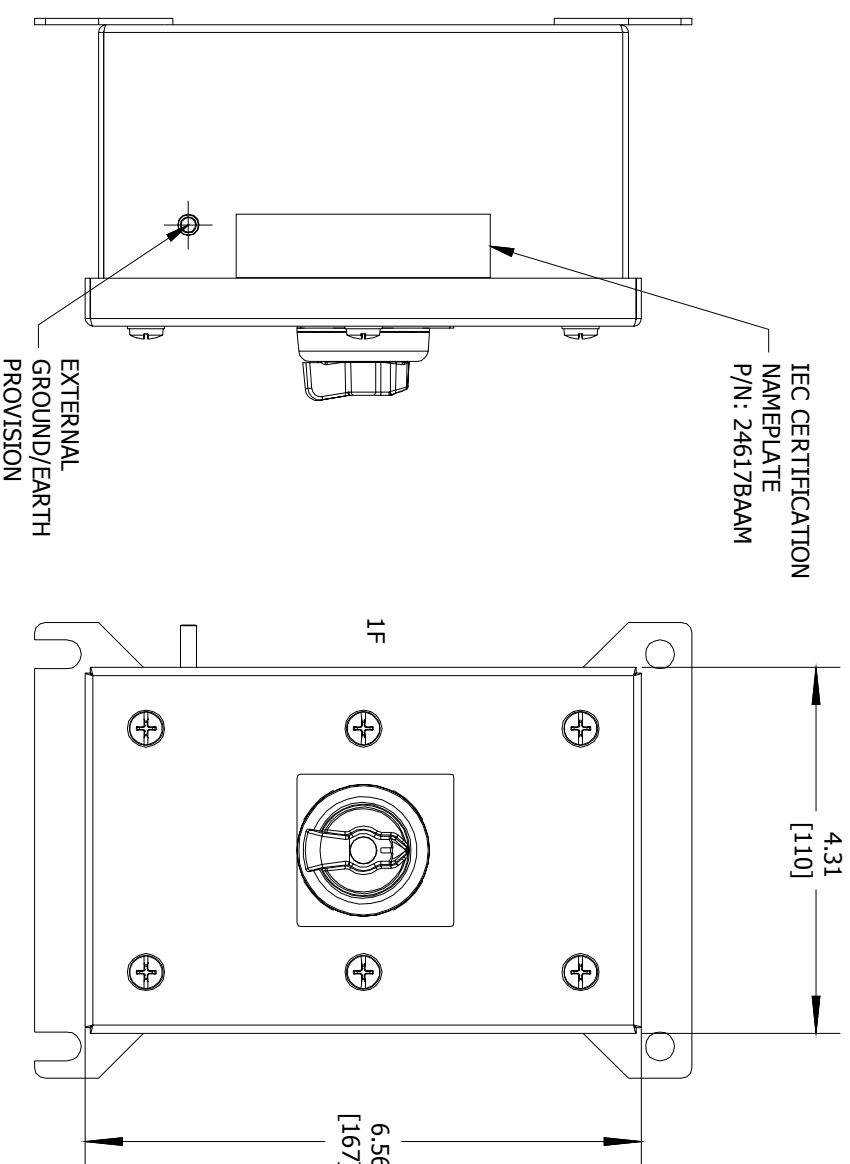


ENCLOSURE INFORMATION	
P/N:	DESCRIPTION:
23831KBAM	BOX SST IF 1b, M20 BOTTOM
23804ABAB	COVER SST IF 1b, ONE DEVICE
23203BAAB	ASSY, DIN RAIL HKH 2 TIER
MOUNT METHOD:	
DEVICE 1 ASSEMBLY (1F)	
P/N:	DESCRIPTION:
HKH3PSM1LV	3 POS SEL SWT MOM LT, MAINT CTR/RT/VERT
23225AAAB	LAM, BLANK
LOCKOUT DEV.:	
NONE	
CONTACT 1:	CONTACT BLOCK, FACT SEALED N.O. DRM, 20A
CONTACT 2:	CONTACT BLOCK, FACT SEALED N.O. DRM, 20A

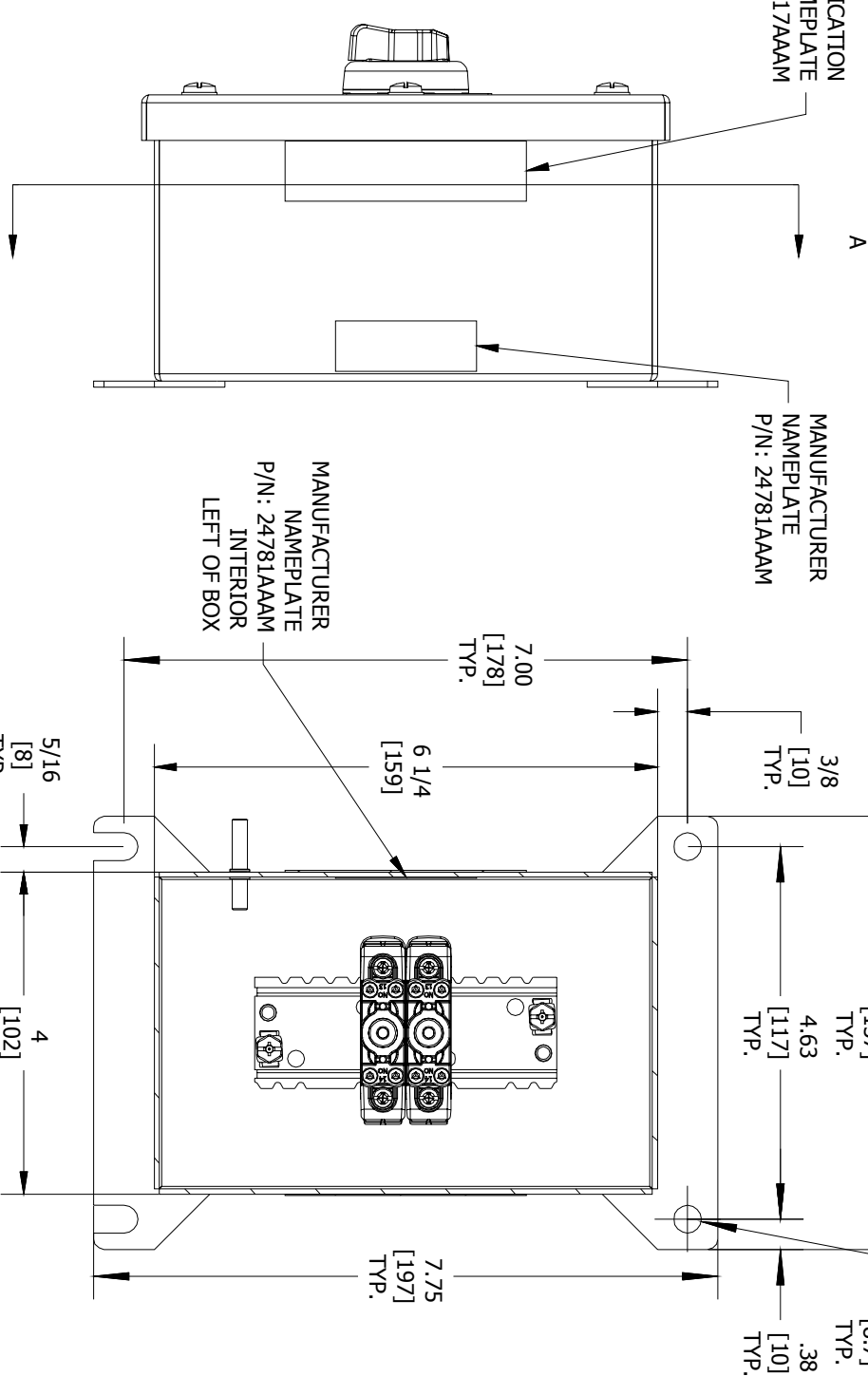
CONTACT BLOCK RATINGS:
690 VAC, 20A, 50-60
60 VDC, 5A, 110VDC, 1.5A
1/2 HP @ 120 VAC, 1 HP @ 208/240/277VAC
NEMA A600/P600 - PILOT DUTY
350VAC, 20A - TUNGSTEN
AC690V, 16A AC-12
AC230V, 16A AC-15
50-60HZ
DC60V, 5A DC-13
TERMINALS RATED FOR 1-2 CONDUCTORS
#22-10 AWG (0.5-4mm²)



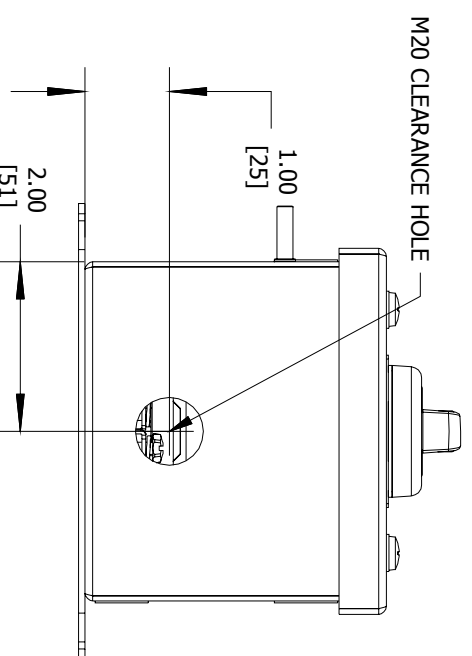
TOP VIEW



FRONT VIEW



SECTION A-A VIEW



BOTTOM VIEW

LEFT SIDE VIEW

RIGHT SIDE VIEW

		HKHMOD Series		DATE CODE-S/N
Harsh & Hazardous www.HARSHANDHAZARDOUS.COM		CAT. NO. HKHMOD Series		ST. LOUIS, MO 63113
INDUSTRIAL CONTROL EQUIPMENT FOR USE IN ZONE CLASSIFIED HAZ. LOCs. CLASS I, ZONE 1, AEx de IIC T6...T4 Gp; Ex de IIC T6...T4 Gp ZONE 21, AEx tb IIC T85°C...T135°C Db IP66; Ex tb IIC T85°C...T135°C Db IP66 CLASS I, DIV.2, GRPs. A,B,C,D; CLASS II, DIV.1, GRPs. E,F,G (CANADA ONLY) CLASS II, DIV.2, GROUPS E,F,G; CLASS III CLASS III, TYPE 3/4/4X/12/13; -50°C ≤ T _a ≤ +60°C		SEE IOM FORM K1466 FOR ELECTRICAL RATINGS.		LISTED A243
0539 I2G Ex de IIC T6...T4 Gp 0539 I2D Ex tb IIC T85°C...T135°C Db IP66 DEMKO J5 ATEX 1405X Ex de IIC T6...T4 Gp Ex tb IIC T85°C...T135°C Db IP66 IECEx UL 15,0054X -50°C ≤ T _a ≤ +60°C (-40°C ≤ T _a ≤ +55°C WITH AMMETER)		TR RU C-US;M1062.B;04167 IEX 16.0079 INNETRO		SEE IOM FORM K1466 & K1470 FOR T-CODES AND FOR ELECTRICAL RATINGS.

CERTIFICATION NAME PLATES

COMMENT:	SGN:	DATE:	ACCEPTANCE:	DRAWN BY:	DATE:	DWG NUMBER:
			CODE 1: APPROVED (NO COMMENTS)		10/27/2016	HKH1BSDAS640
			CODE 2: APPROVED FOR MANUFACTURING WITH COMMENTS TO BE INCORPORATED			
			CODE 3: NOT APPROVED RE-SUBMIT			
			CODE 4: FOR INFORMATION ONLY			

REVISION				TITLE:		ITEM:
				HKH MODIFIED ENCLOSURE (HKH1BSDAS640)		N/A

REVISION				SHEET 1 OF 1
----------	--	--	--	--------------

ENTRY HUB/GLAND SELECTION CHART*	
ENTRY NO.	HUB/GLAND:
ENTRY 1	NONE

*HUBS & CABLE GLANDS ARE SHIPPED WITH ENCLOSURE

HKH SERIES CONTROL STATION	
CAT. NO. HKH1BSDAS640	
COUNTRY/DATE CODE	
www.HARSHANDHAZARDOUS.COM	