

4

3

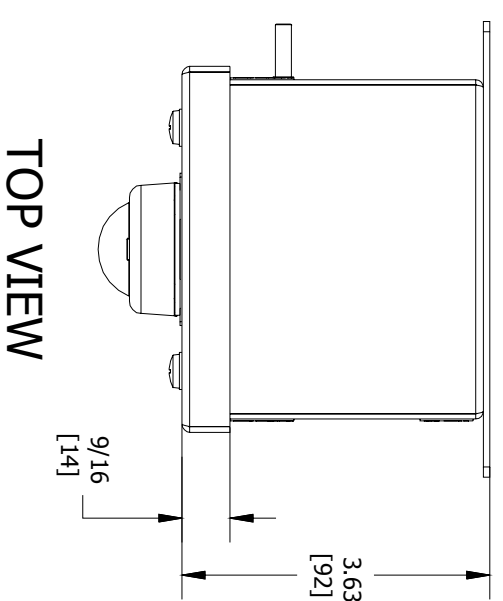
2

1

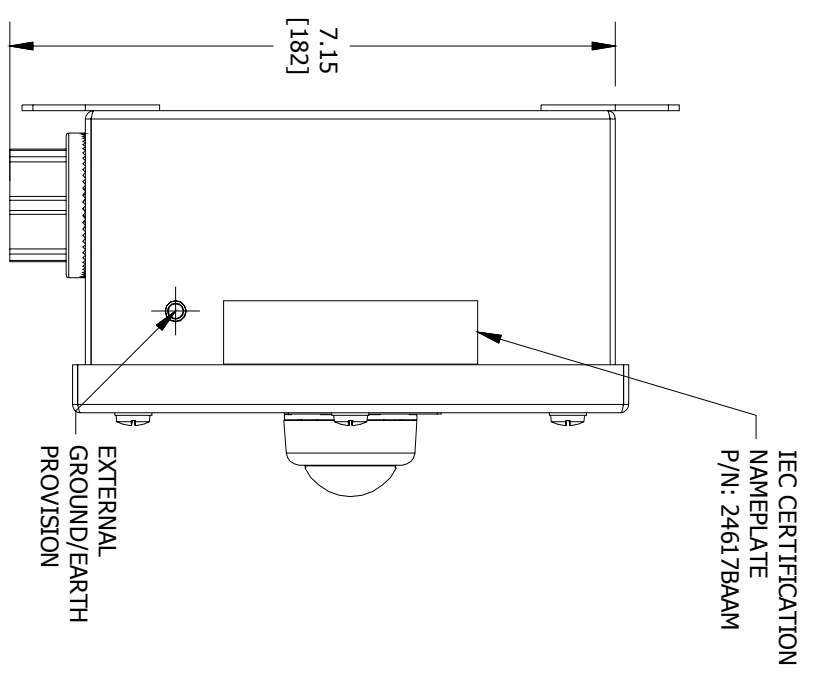
ENCLOSURE INFORMATION	
P/N:	DESCRIPTION:
23831GBAM	BOX SST 1F 1b, 3/4 NPT BOTTOM
23804BAB	COVER SST 1F 1b, ONE DEVICE
HKH1BSP2LR10K8	HKH PANEL MOUNT BRACKET, C. B. & P. L. (1 PL.)

PILOT LIGHT RATINGS:
LIGHT EMITTING DIODE
12-254 VAC/DC LED
0.6W/TERMINALS RATED FOR 1-2 CONDUCTORS
#22-10 AWG. (0.5-4mm²)

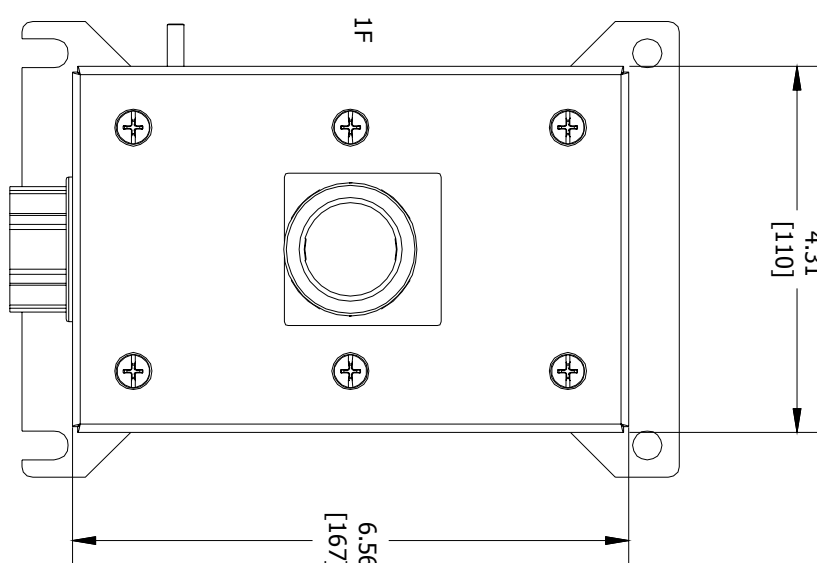
DEVICE 1 ASSEMBLY (1F)	
P/N:	DESCRIPTION:
HKHPLR	PILOT LIGHT RED LENS ASSEMBLY
23225AAB	Blank
LOCKOUT ACQY:	N/A
CONTACT 1:	PILOT LIGHT MOD,PM



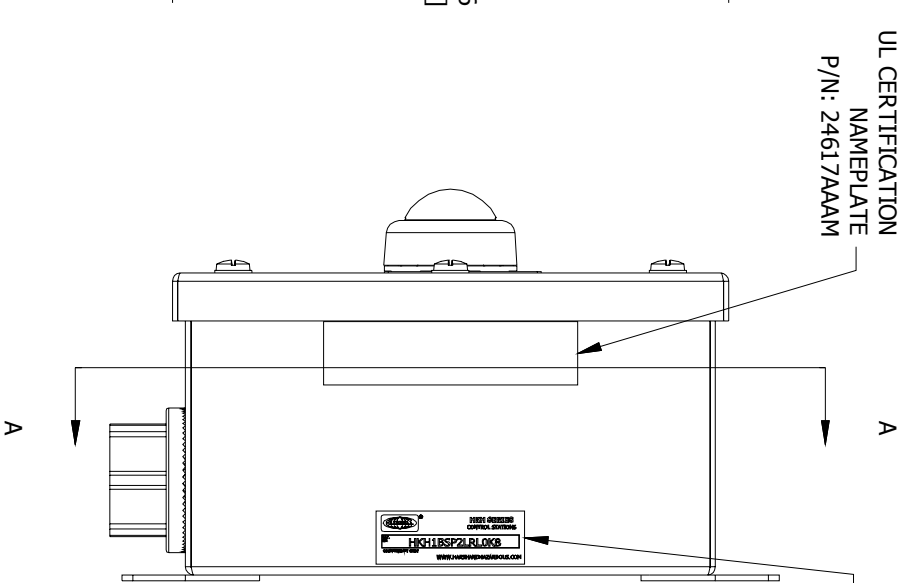
TOP VIEW



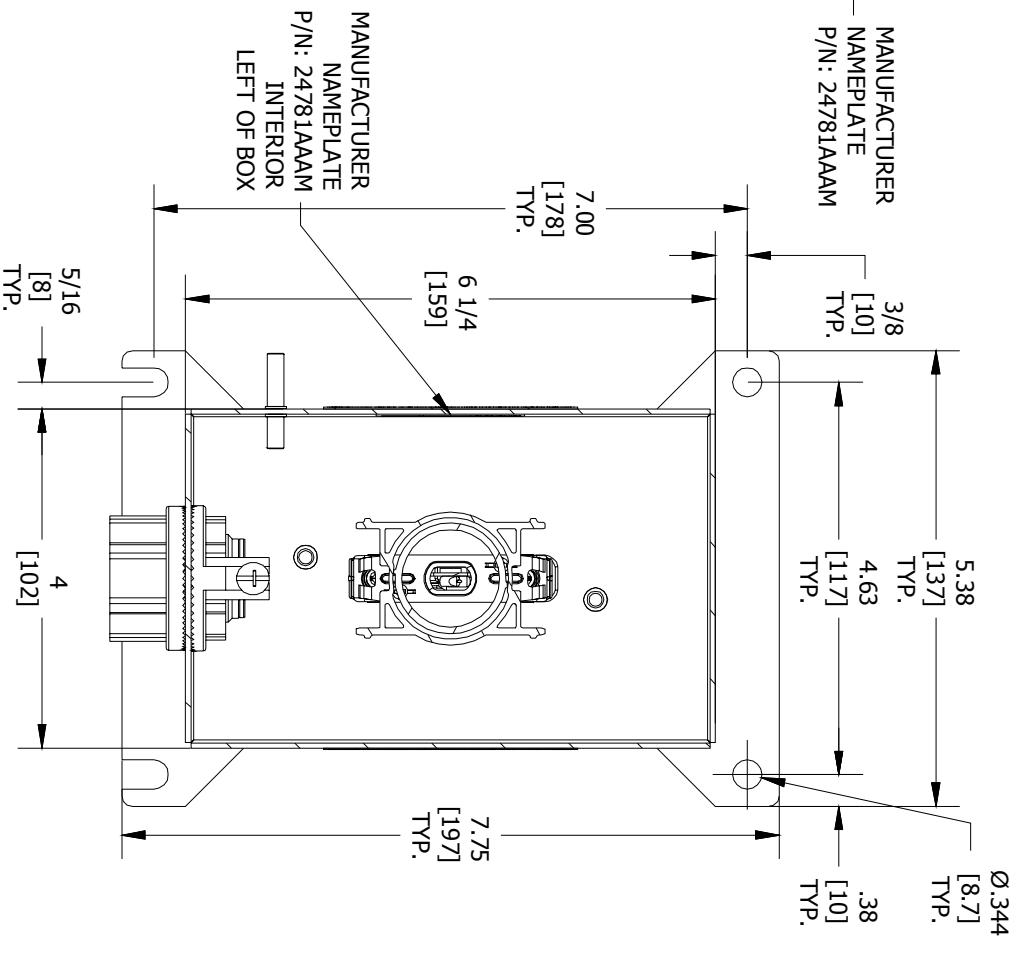
LEFT SIDE VIEW



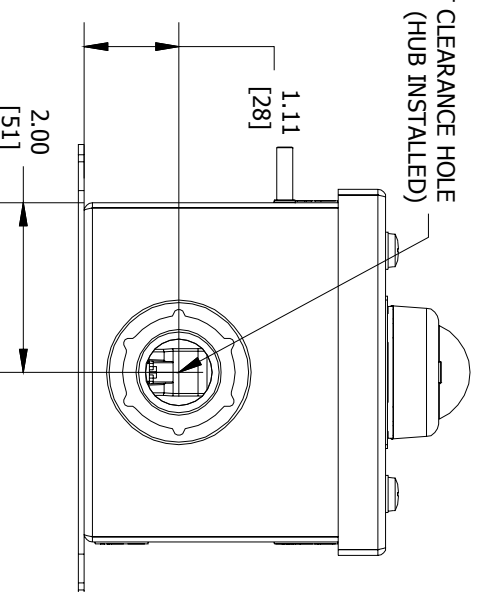
FRONT VIEW



RIGHT SIDE VIEW



SECTION A-A VIEW



BOTTOM VIEW

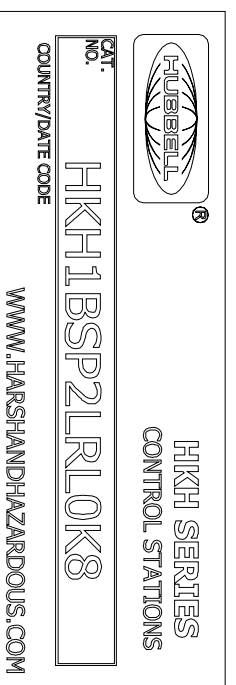
CAT. NO. HKHMOD Series		DATE CODE-S/N
Harsit & Hazardous WWW.HARSHANDHAZARDOUS.COM		ST. LOUIS, MO 63113
CAT. NO. HKHMOD Series WWW.HARSHANDHAZARDOUS.COM		DATE CODE-S/N
INDUSTRIAL CONTROL EQUIPMENT FOR USE IN ZONE CLASSIFIED HAZ. LOCs. CLASS I, ZONE 1, AEx de IIC T6...T4 Gb; Ex de IIC T6...T4 Gb ZONE 21, AEx de IIC T85°C...T135°C Db IP66; Ex de IIC T85°C...T135°C Db IP66 CLASS I, DIV. 2, GRPS. A,B,C,D; CLASS II, DIV. 1, GRPS. E,F,G (CANADA ONL Y) CLASS II, DIV. 2, GROUPS E,F,G; CLASS III CLASS III; TYPE 3/4/4X/12/13; -50°C STAs+60°C		SEE IOM FORM KI466 FOR ELECTRICAL RATINGS.
DEMKO 15 ATEX 1405X Ex de IIC T6...T4 Gb; Ex de IIC T85°C...T135°C Db IP66 IExEx UL 15,0054X -50°C STAs+60°C (-40°C STAs+55°C WITH AMMETER)		TR RU C-US; MIO62.B.04167 IEx 16,0079 INMETERO
LISTED A243		

CERTIFICATION NAME PLATES

ENTRY HUB/GLAND SELECTION CHART*	
ENTRY NO.	HUB/GLAND:
ENTRY 1	K8: WH-2SSG

*HUBS & CABLE GLANDS ARE SHIPPED WITH ENCLOSURE

COMMENT:	SGN:	DATE:	ACCEPTANCE:	DRAWN BY:	DATE:	DWG NUMBER:	ITEM:
			CODE 1: APPROVED (NO COMMENTS)	PR	10/13/2016	HKH1BSP2LR10K8	N/A
			CODE 2: APPROVED FOR MANUFACTURING WITH COMMENTS TO BE INCORPORATED				
			CODE 3: NOT APPROVED RE-SUBMIT				
			CODE 4: FOR INFORMATION ONLY				



MFG. NAME PLATE (REF.)

REVISION

KILLARK

HKH MODIFIED ENCLOSURE (HKH1BSP2LR10K8)

SHEET 1 OF 1

A

4

A

3

2

1

B

LEFT SIDE VIEW

FRONT VIEW

RIGHT SIDE VIEW

SECTION A-A VIEW

B

C

LEFT SIDE VIEW

FRONT VIEW

RIGHT SIDE VIEW

SECTION A-A VIEW

C

D

TOP VIEW

LEFT SIDE VIEW

FRONT VIEW

RIGHT SIDE VIEW

D